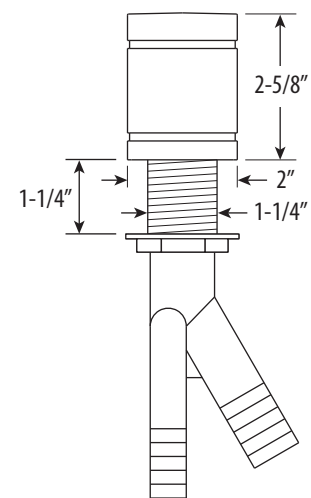
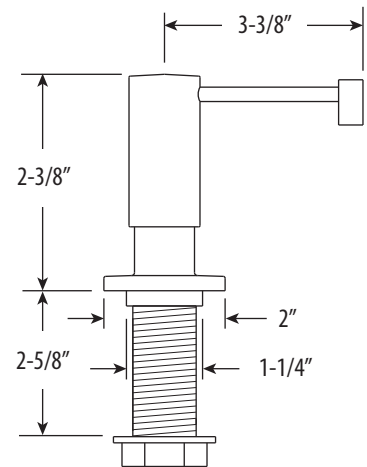
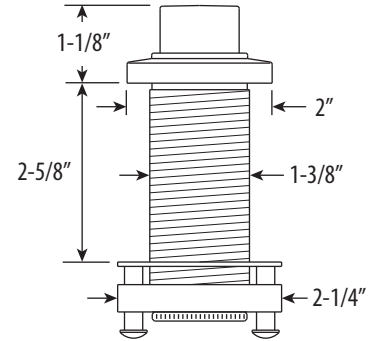
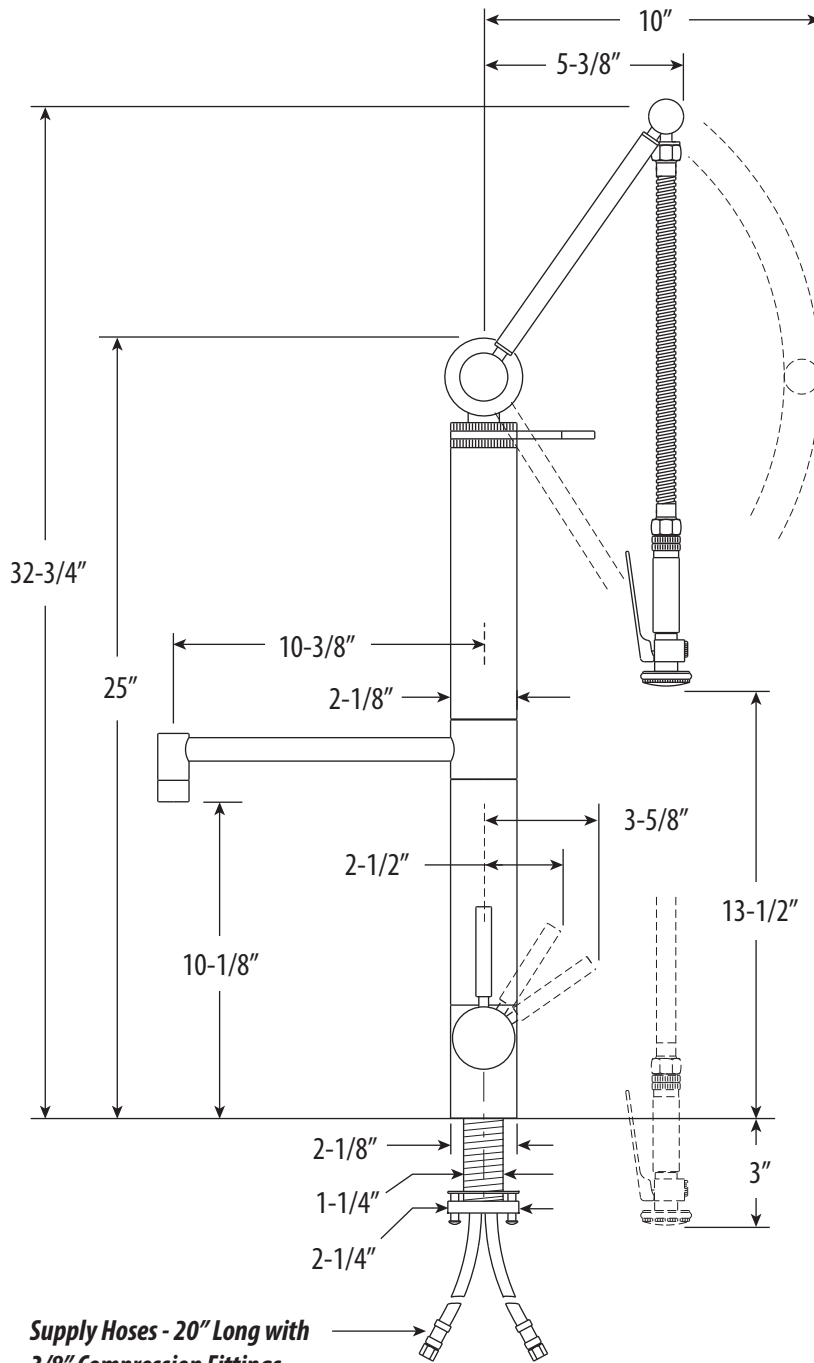


CONTEMPORARY GANTRY PULLDOWN FAUCET / STRAIGHT SPOUT / 4PC. SUITE

3700-4

- Max Counter Thickness 2-3/8"
- Minimum Install Hole Size 1-3/8"



Supply Hoses - 20" Long with 3/8" Compression Fittings



DIMENSIONS MAY VARY AND ARE SUBJECT TO CHANGE. NO RESPONSIBILITY IS ASSUMED FOR USE OF SUPERCEDED OR VOIDED DATA