

THERMOSTATIC SHOWER ROUGH-IN VALVE INSTALLATION

Model #:
10120

BEFORE YOU BEGIN YOUR INSTALLATION:

1



Turn off water supply.

2



Observe all local plumbing codes.

3



Inspect plumbing for signs of damage. Replace as necessary.

4



DO NOT use petroleum based products on this faucet.

NOTE: It is highly recommended that this system is provided with 3/4" water supply for best performance. For best results, the service should be capable of delivering a minimum of 18 gpm at 45 psi.

VALVE SPECIFICATION

- Female 3/4" NPT inlets and outlets Factory temperature setting = 100°F (38°C)
- Temperature range = 52° to 118°F (11°-48°C)
- Temperature hot supply = 120° to 140°F (65°-82°C)
- Temperature stability = Compliant with ASSE 1016

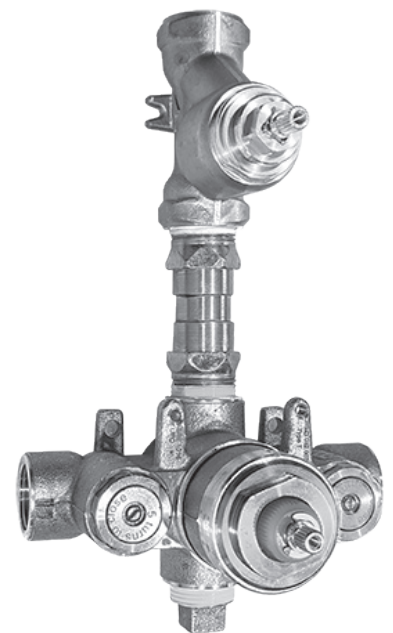
Recommended supply pressure = **20 to 80 psi (1,38-5,52 bar)**

Recommended hot water supply temperature = **120° to 140°F (48°-60°C)**

Operating pressures between **hot and cold supplies** should vary no more than **30 psi (2,07 bar)**.

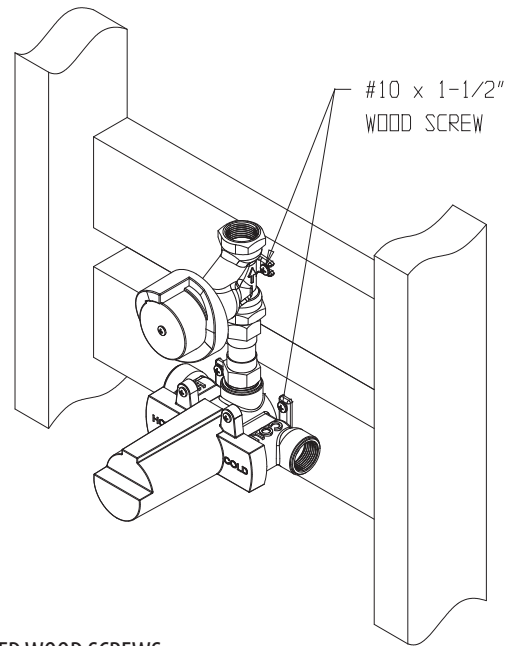
If water pressure exceeds **70 psi (4,83 bar)**, install a pressure reducing valve. Ensure the mixing valve is in compliance with local plumbing codes when setting the temperature on the water heater.

It is the installer's responsibility to verify correct temperature setting to prevent any risk of scalding prior to consumer use. For use with shower heads rated at 1.75 gpm (6.63 L/min) or higher



VALVE PREPARATION & WATER CONNECTION

- Remove and discard thread protectors
- Pre-assemble fittings prior to mounting valve to wall supports
- Attach "COLD" inlet to cold supply and "HOT" inlet to hot supply
- Perform all other required connections to outlet side of VOLUME CONTROL
- Verify volume control is in the off position



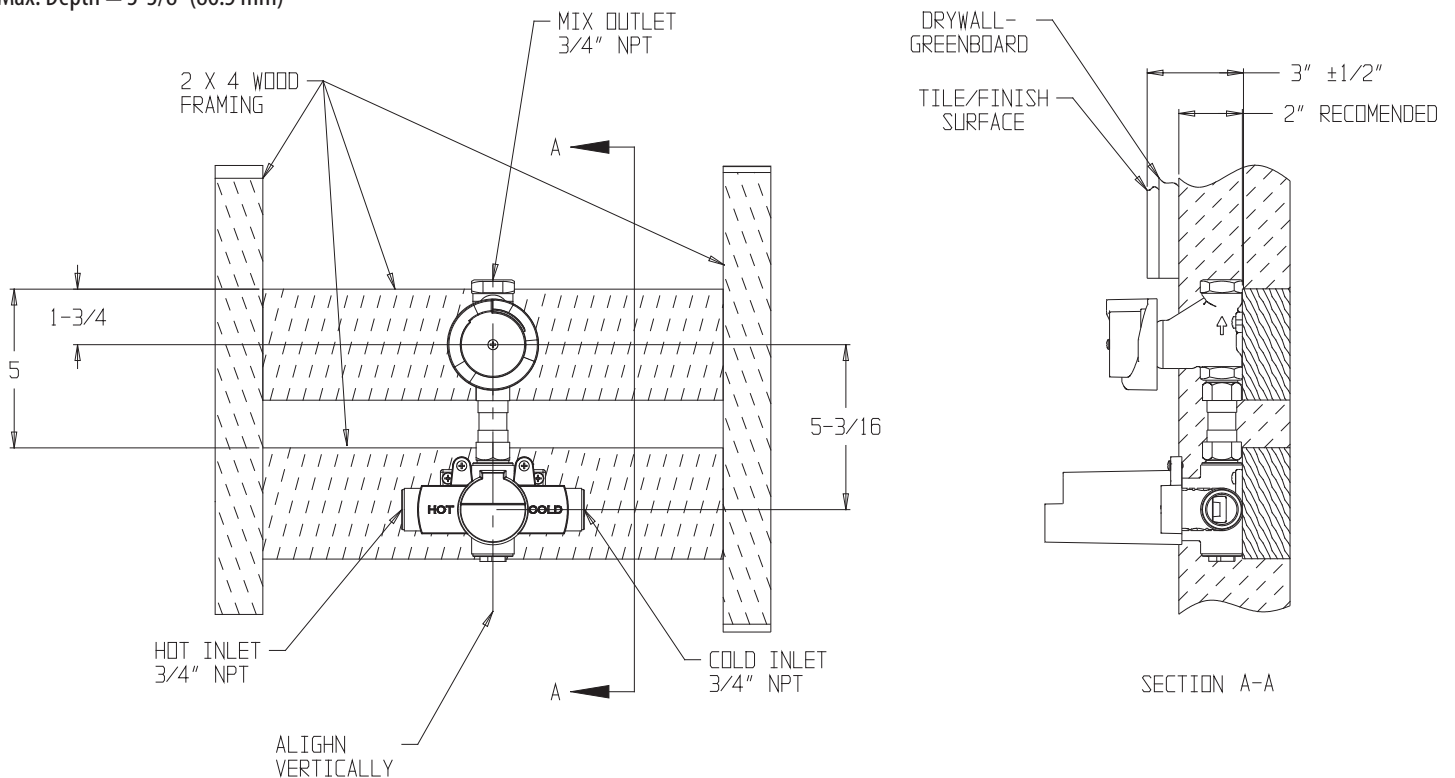
ROUGH-IN DIMENSIONS / ROUGH IN VALVE FRAME

- Once the desired location has been determined, install a cross support to wall studs.
- Ensure to level the valve & secure to the cross support by using the provided #10 SLOTTED WOOD SCREWS.
- The valve should be level horizontally, vertically, & parallel to finished wall.
- Pre-assemble fittings before attaching to cross support. Attach the "COLD" Inlet to Cold Supply & "HOT" Inlet to Hot Supply using copper supply lines.

VALVE PLACEMENT:

Min. Depth = 2-5/8" (67.5mm)

Max. Depth = 3-3/8" (86.5 mm)



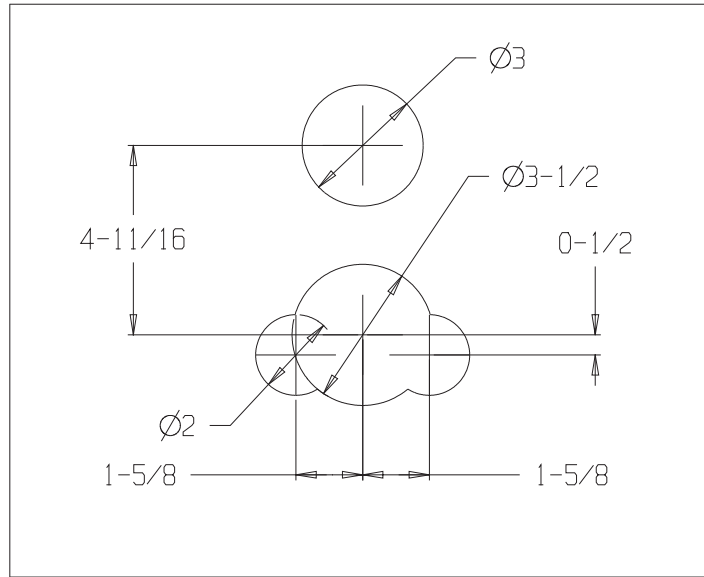
IMPORTANT: Thoroughly flush supply lines to remove any debris prior to installation to prevent damage & malfunction of thermostatic cartridge.

ATTENTION: If used in conjunction with tank-less water heaters, ensure that the distance from the tank to the inlet water is no less than 6 ft.

WARNING: Forcibly rotating thermostatic cartridge stem prior to installing handle trim, will damage the cartridge and void warranty.

FINISHED WALL

- Valve shall be located in framed wall so that the finished wall falls within the MIN/MAX limits stated on the MUDGUARD on the thermostatic valve.



SUGGESTED HOLE PATTERN FOR DRYWALL CUT-OUTS

