

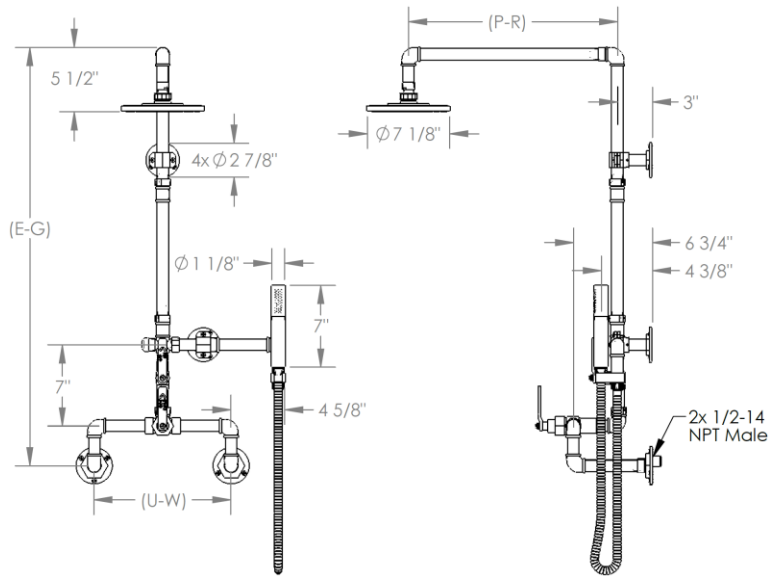
### 38-6.71T.1-EV4

Wall Mounted Exposed Thermostatic Shower with Hand Shower Set and Diverter  
California Green Compliant

Flow Rate: 1.75 GPM

Note: Please specify (E-G, P-R, U-W)

HEIGHT	PROJECTION	MOUNT SPREAD
E = 36"	P = 14"	U = 8"
F = 48"	Q = 16"	V = 12"
G = 60"	R = 18"	W = 18"



Meets the applicable requirements of ASME A112.18.1-2005/CSA B125.1-05, entitled "Plumbing Supply Fittings"

# WATERMARK DESIGNS 2/28/2019

350 Dewitt Ave Brooklyn NY 11207 USA T 718 257 2800 F 718 257 2144 info@watermark-designs.com