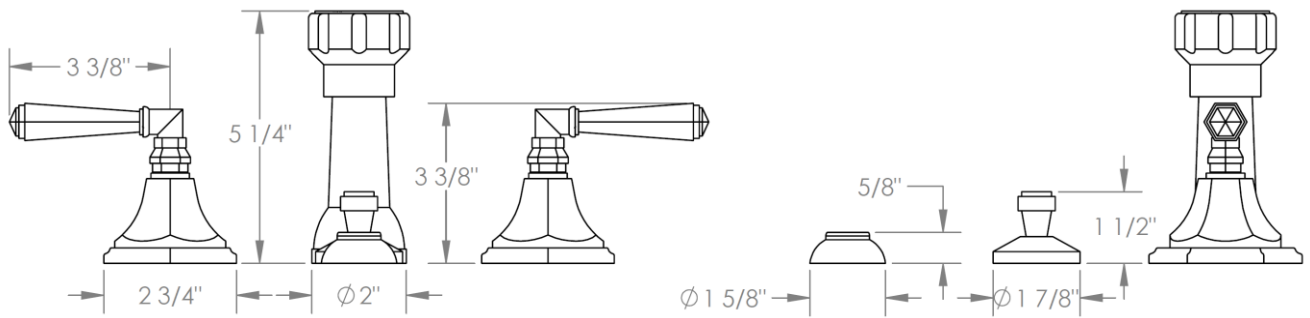


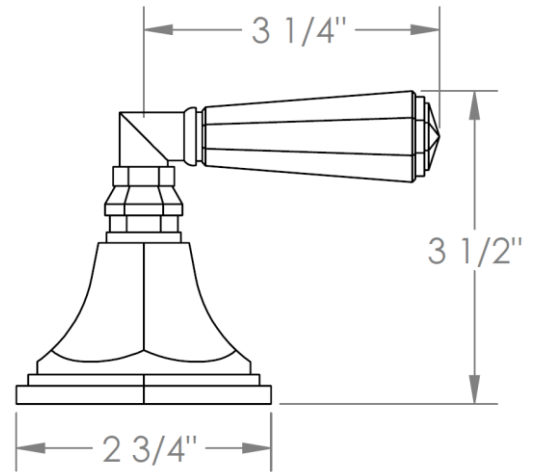
314-4-__
Deck Mounted 4-Hole Bidet
Includes MPU7 pop-up drain



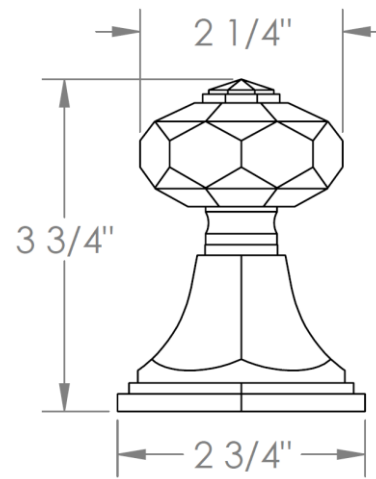
Meets the applicable requirements of ASME A112.18.1-2005/CSA B125.1-05, entitled "Plumbing Supply Fittings"

HANDLE TRIM OPTIONS

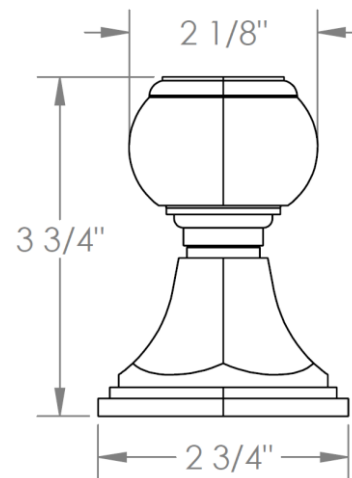
CRY4 – ROOSEVELT



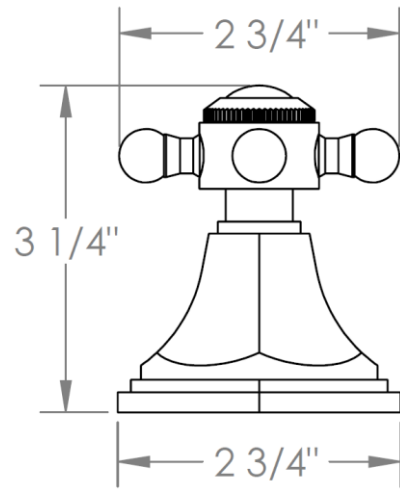
CRY5 – MARMONT



T6 – NEWTON



XX – SHETFIELD



YY – NEWPORT

