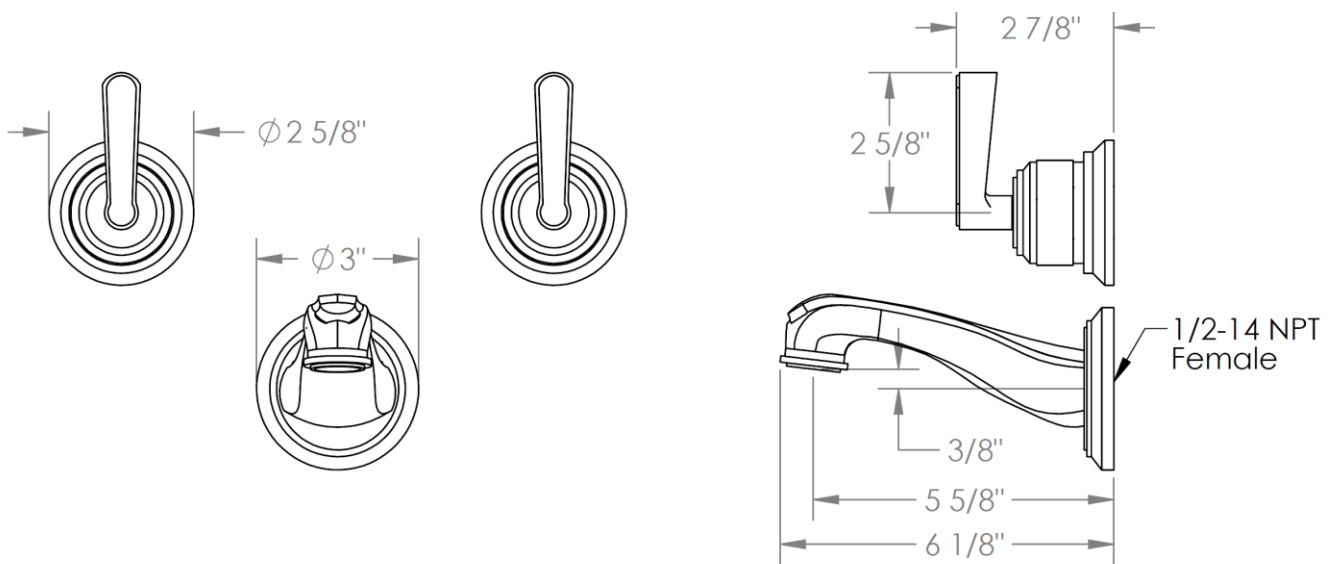


29-5-__

Wall Mounted 3 Hole Bath Set

Requires SS-506 or SS-THV2.2-26C concealed rough

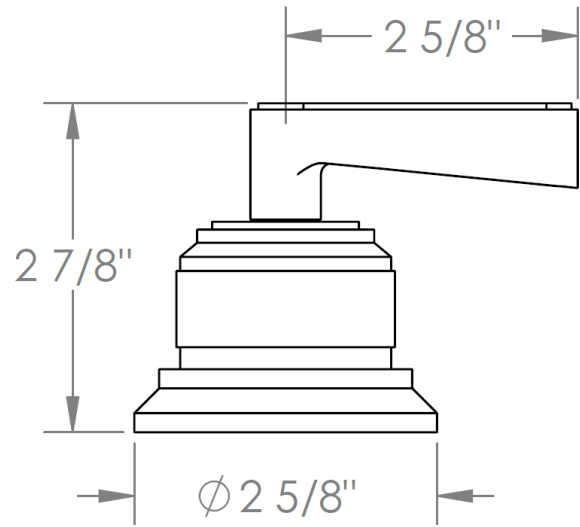
Note: Some building codes may require a remote pressure balance valve for anti-scaid, such as the SS-PB50.



Meets the applicable requirements of ASME A112.18.1-2005/CSA B125.1-05, entitled "Plumbing Supply Fittings"

HANDLE TRIM OPTIONS

TR14 - BEEKMAN



TR15 - GOTHAM

