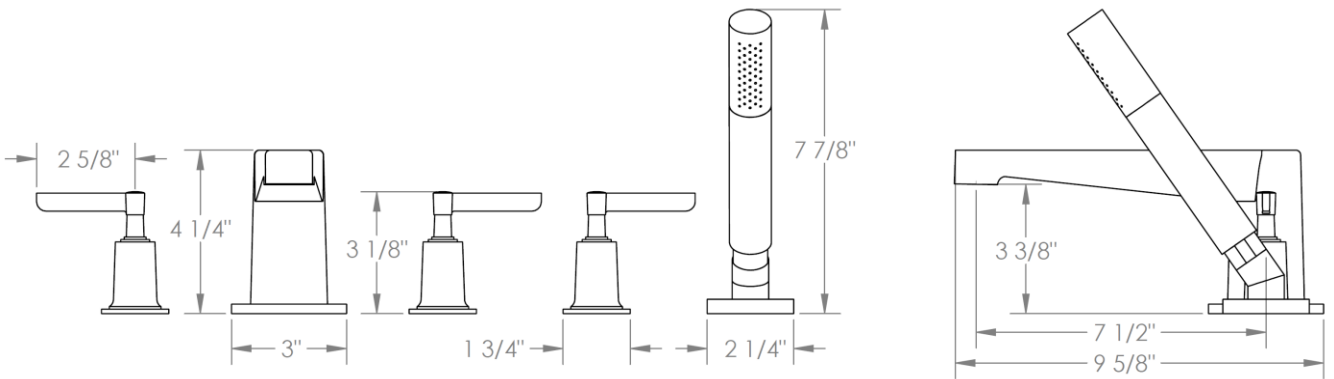


**115-8.1-**

Deck Mounted 5 Hole Bath Set

Hand Shower Flow Rate: 1.75 GPM

Note: Some building codes require remote pressure balance valves for anti-scald



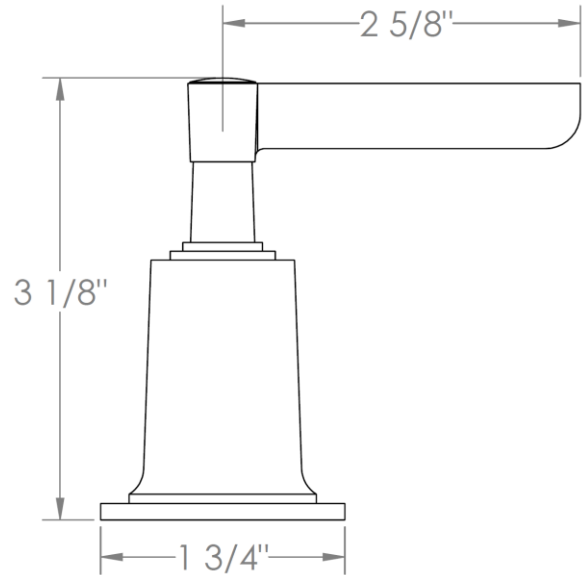
Meets the applicable requirements of ASME A112.18.1-2005/CSA B125.1-05, entitled "Plumbing Supply Fittings"

**WATERMARK DESIGNS** 1/2/2019

350 Dewitt Ave Brooklyn NY 11207 USA T 718 257 2800 F 718 257 2144 info@watermark-designs.com

HANDLE TRIM OPTIONS

MZ4 - STANDARD



MZ5 - WHITNEY

