

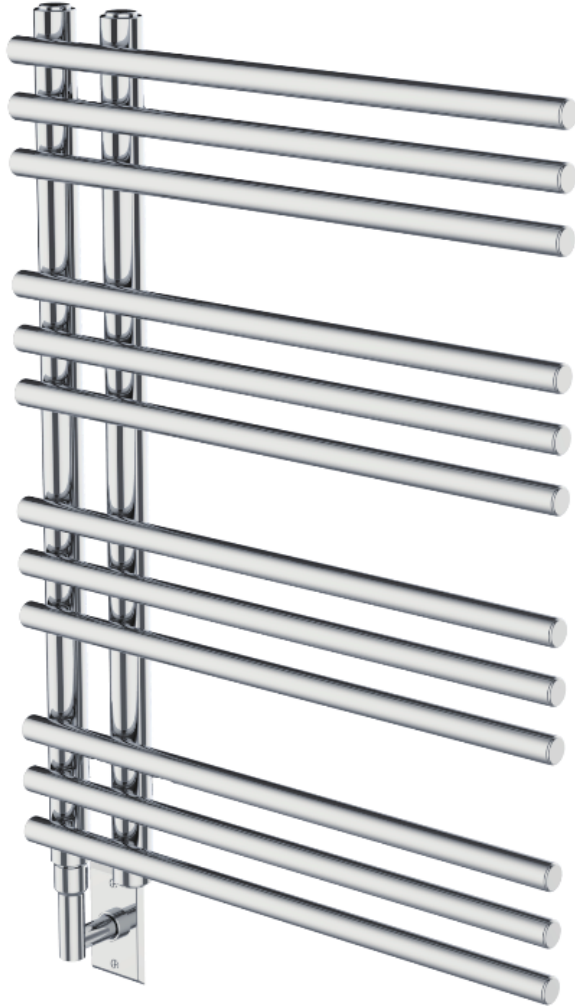


**LAS VEGAS**  
Towel Warmer  
Chauffe-serviettes  
Calentador de toallas

**PRODUCT SPECIFICATION SHEET**

**LAS VEGAS SERIES**

LAS-0800600-PC



**FEATURES**

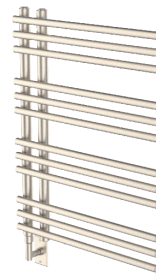
- WALL MOUNTED
  - HARDWIRE INSTALLATION KIT
  - MOUNTING INSTRUCTIONS
  - ALL ELECTRIC AND OIL FILLED
  - COVER PLATES
- TIMERS AVAILABLE SEPARATELY (NOT INCLUDED)

**SIZES**

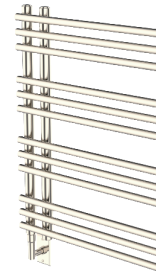
- 800x600 MM
- 1200x600 MM

**STOCKED FINISHES**

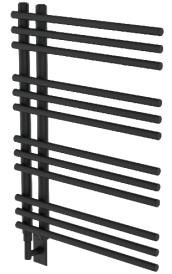
- POLISHED CHROME (PC)
- POLISHED NICKEL (PN)
- BRUSHED NICKEL (BN)
- MATTE BLACK (MB)



LAS-0800600-BN



LAS-0800600-PN



LAS-0800600-MB

SEE OVER FOR SPECIFICATION DRAWINGS

Product Code	Finishes	Sizes (mm)		Sizes (Inches)		Output (Watts/BTU)	Element Size	Number of Elements
		Height	Width	Height	Width			
LAS -0800600	PC, PN, MB, BN	800	600	31.50	23.62	265/903	150W	12
LAS -1200600	PC, PN, MB, BN	1200	600	47.24	23.62	404/1378	300W	18



Distributed by Kartners Bathroom Accessories  
Address: North Vancouver, British Columbia, Canada  
toll free number: 1-877-490-3537  
website: www.vernontowelwarmers.com

Email: support@vernontowelwarmers.com

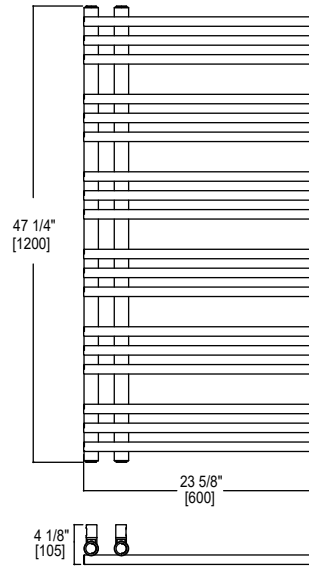
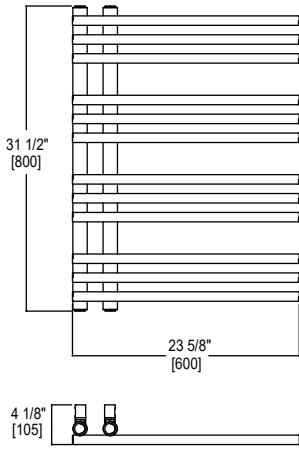


**LAS VEGAS**  
Towel warmer  
Chauffe-serviettes  
Calentador de toallas

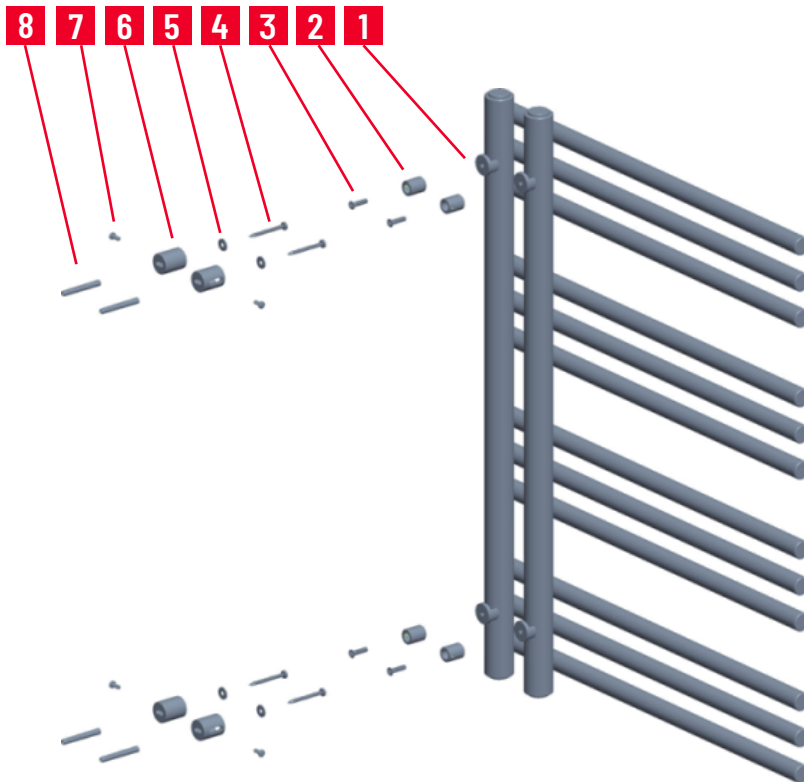
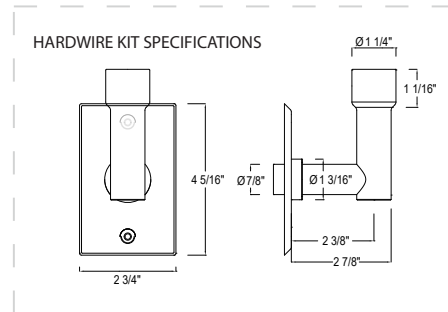
**PRODUCT SPECIFICATION SHEET**

LAS-0800600

LAS-1200600



Vernon Towel Warmer Hardwire Kit Round -PC  
Code: VTW-HWK-RD-PC



**Installation  
Diagram 4  
- Las Vegas**

1. Solid fixing lug
2. Wall support core
3. Screw
4. Wall screw
5. Washer
6. Wall support
7. Grub screw
8. Wall plug

**TIMERS AVAILABLE**



VPT24-1PZ



DDS15-BDZ



Distributed by Kartners Bathroom Accessories  
Address: North Vancouver, British Columbia, Canada  
toll free number: 1-877-490-3537  
website: [www.vernontowelwarmers.com](http://www.vernontowelwarmers.com)

Email: [support@vernontowelwarmers.com](mailto:support@vernontowelwarmers.com)