

Arvina™ Round Vessel Lavatory

FEATURES

- 16-9/16" diameter round vessel lavatory
- Thin, rounded edges achieving a decorative design
- Vitreous China
- Without overflow
- Installation template included
- ADA compliant
- Drain sold separately

MODELS

- LT573
Lavatory (#01)



COLORS/FINISHES

- Standard
#01 Cotton

PRODUCT SPECIFICATION

This semi-recessed vessel lavatory shall be made of Vitreous China. Lavatory shall be 16-9/16". Lavatory shall be ADA compliant. Lavatory shall be TOTO Model LT573_____.

CODES/STANDARDS

- Meets ADA guidelines and ANSI A117.1 requirements when countertop is installed 864mm (34") from finished floor and lavatory is installed 79mm (3-1/8") minimum from front edge.
- Meets and exceeds ASME A112.19.2/CSA B45.1
- Certifications: IAPMO(cUPC), State of Massachusetts, City of Los Angeles, and others
- Code compliance: UPC, IPC, NSPC, NPC Canada, and others
- ADA compliant

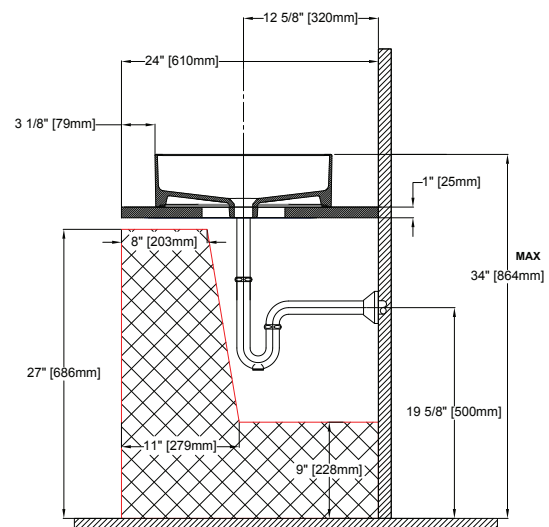
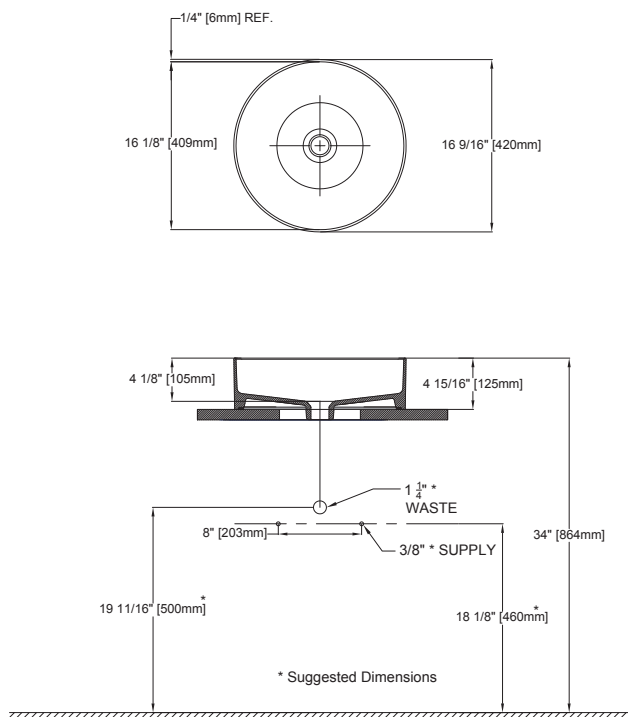


LT573

Arvina™ Vessel Lavatory

SPECIFICATIONS

- Waste 1-1/4" (32 mm)
- Size 16-9/16" (420 mm)
- Basin 16-1/8" (409 mm)
- Basin Depth 4-1/8" (105 mm)
- Warranty One Year Limited Warranty
- Material Vitreous China
- Shipping Weight 19 lbs.
- Shipping Dimensions 17-3/4" x 17-3/4" x 7-3/4"



TOTO®

These dimensions and specifications are subject to change without notice