

Drake® Transitional Two-Piece Toilet, 1.28 GPF

FEATURES

- TORNADO FLUSH® system, high-efficiency (1.28 GPF/4.8 LPF)
- Transitional style tank
- CEFIONTECT® ceramic glaze minimizes waste from sticking to porous ceramic surfaces.
- Round front bowl, seat sold separately
- Universal Height
- Chrome plated trip lever
- 12" Rough-in, supply line sold separately
- ADA compliant for residential or hospitality use

MODELS

- **CST785CEFG (#01, #03, #11, #12)**
With CEFIONTECT ceramic glaze without seat
- **CST785CEF (#51)**
Same as CST785CEFG without CEFIONTECT ceramic glaze

COMPONENTS

- **C775CEF(G)**
Round bowl with CEFIONTECT
- **ST786EA**
Tank and cover only

OPTIONAL COMPONENTS

- **THU398(#01, #PN, #BN)**
Trip Lever - Cotton, Polished Nickel, Brushed Nickel

COLORS/FINISHES

- #01 Cotton
- #03 Bone
- #11 Colonial White
- #12 Sedona Beige
- #51 Ebony (Without CEFIONTECT glaze)



 TORNADO FLUSH  UNIVERSAL HEIGHT

 CEFIONTECT

PRODUCT SPECIFICATION

The two-piece high-efficiency Tornado Flush system toilet shall be 1.28 GPF/4.8 LPF. Toilet shall have CEFIONTECT ceramic glaze and be at Universal Height. Toilet shall have high-profile tank, round front bowl and Chrome trip lever. Toilet shall be TOTO Model CST785CEF_____.

CODES/STANDARDS

- Meets and exceeds ASME A112.19.2/CSA B45.1
- Certifications: IAPMO(cUPC®), EPA WaterSense, State of Massachusetts, City of Los Angeles, and others
- Code Compliance: UPC, IPC, NSPC, NPC Canada, and others
- Legislative Compliance: California Green Building Code, City of Los Angeles Water Efficiency Ordinance, and others
- ADA compliant (when installed with trip lever located on the approach side)
- Complies with CA Prop 65 warning requirements



CST785CEF(G)

Drake® Transitional Two-Piece Toilet, 1.28 GPF

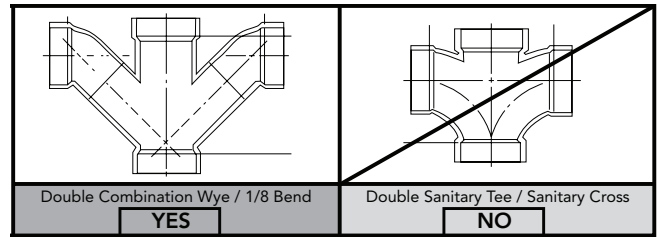
SPECIFICATIONS

Water Use	1.28 GPF (4.8 LPF)
Flush System	TORNADO FLUSH®
Min. Water Pressure	8 psi (Flowing)
Water Surface	9" x 6-5/8"
Trap Diameter	2-1/8"
Rough-in	12"
Trap Seal	2-1/8"
Warranty	One Year Limited Warranty
Material	Vitreous China
Shipping Weight	C775CEF(G) 53 lbs. ST786EA 34 lbs.
Shipping Dimensions	C775CEF(G) 27-5/8" L x 15-1/2" W1 x 11-1/8" W2 x 18" H ST786EA 20" L x 9-3/8" W x 15-5/8" H

INSTALLATION NOTES

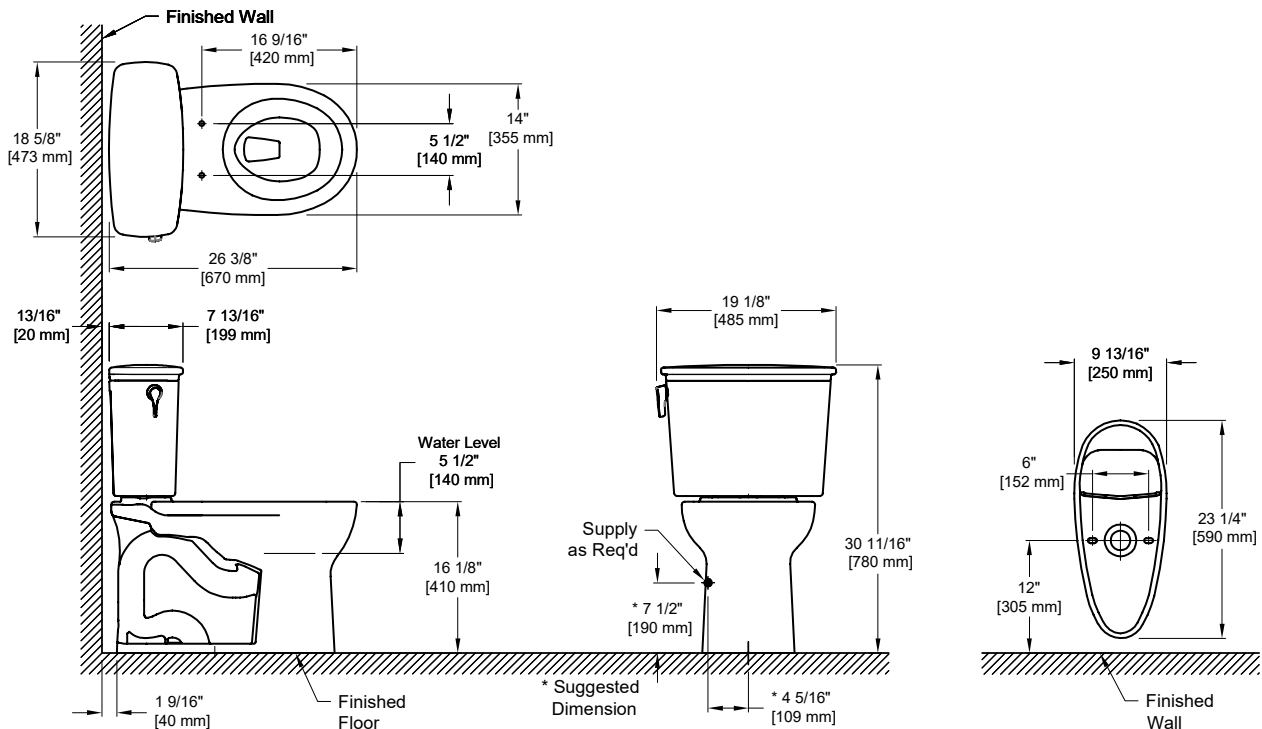
Back-to-Back Toilet Installations:

TOTO recommends the use of a nationally listed, double sanitary tee-wye only, in vertical waste stacks, in accordance with the stipulations noted in the majority of nationally recognized plumbing codes.



To maintain adequate wall gap between the back of the tank and wall, mount the floor flange at a nominal 12" rough-in distance.

DIMENSIONS



TOTO®

These dimensions and specifications are subject to change without notice