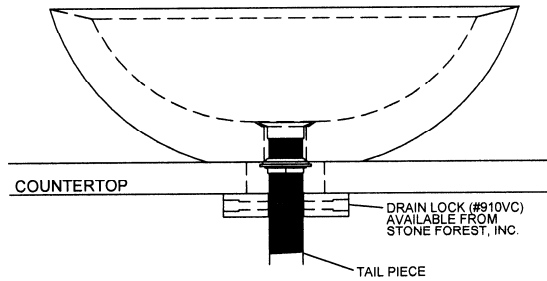
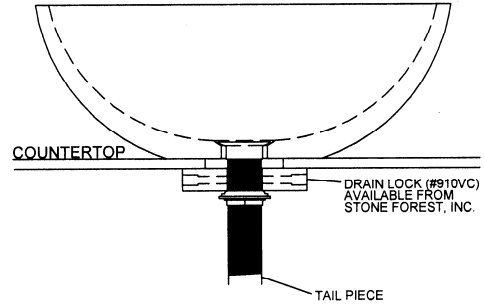


Stone Forest, Inc.
Item #910VC
Revision 13Jan2011



INSTALLATION #1
FOR COUNTERTOPS GREATER THAN 3/4" THICK



INSTALLATION #2
FOR COUNTERTOPS LESS THAN 3/4" THICK