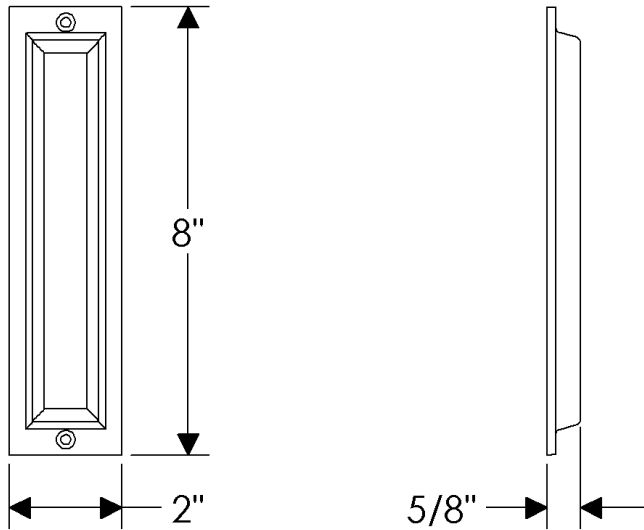


Rectangular Flush Pull



FP218