

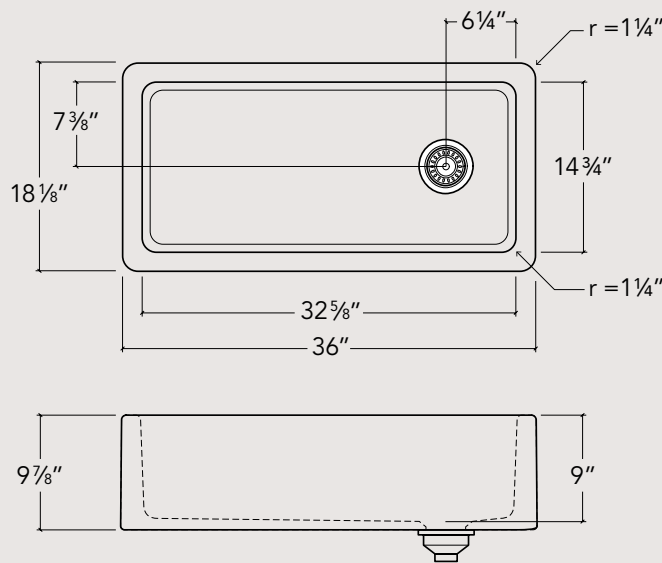
# TM125-FS-361810

ProTerra M125

## Fireclay kitchen sink

### Molded

With rounded corners [1,25"]



\* Dimensions can vary. Please refer to next page for details.

#### Installation

Farmhouse

#### Bowl\*

32 5/8" X 14 3/4" X 9"

#### Overall\*

36" x 18 1/8" x 9 7/8"

#### Recommended cabinet

39"

#### Drain

Ø 3 1/2"

#### Packaging

41" x 25 3/8" x 15 1/2"

86 lbs

## Features

- Fine fireclay, enameled glossy white finish
- Resistant to scratches and chips thanks to the fusion of glaze and fireclay
- Non-porous finish, hygienic and easy to clean
- Flat apron finished on all four sides
- Offset drain position
- Waste disposal unit compatible
- Stainless steel strainer included (TM-SA-3.5-SA)
- Product certified ASME A112.19.2-2013 and CSA B45.1-13

## Must-have accessories



Grid

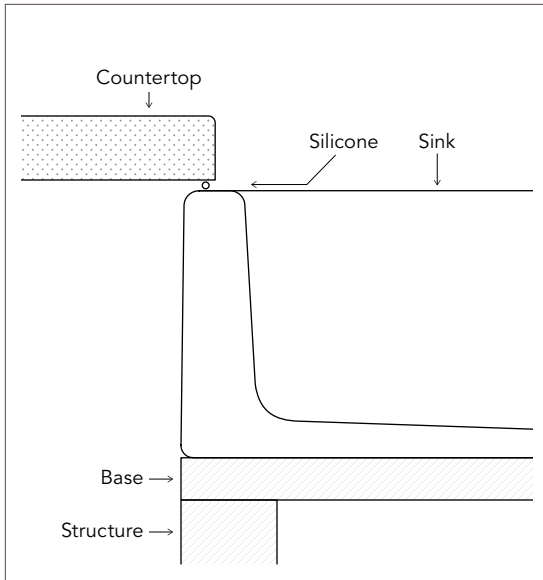
TM-G-3214

## ProTerra M125

### Farmhouse installation

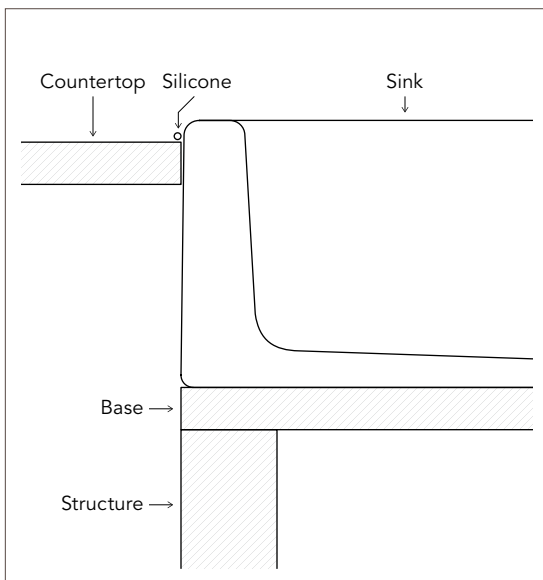
#### A. Undermount

Countertop made of granite, quartz, marble or other stone surface



#### B. Exposed rim

Countertop made of laminate, wood, ceramic tile, granite, quartz, marble or other stone surface.



### Maintenance

Follow one simple rule to keep your sink in good condition:  
Clean it regularly.

#### Daily

Clean the sink with a sponge or a soft cloth.

Use a mild soap (dish soap) or an all-purpose,  
non-abrasive liquid cleanser.

Always rinse with warm water and wipe with a dry cloth.

Use a bottom grid to protect the finish of the ceramic.

#### Precautions

Do not scrub the sink with steel wool or scouring pads.

Do not use abrasive cleansers.

For tough stains, use a cream bathroom cleanser,  
rinse with water and wipe with a dry cloth.

Do not place a rubber mat on the bottom of your sink. Food, water,  
and cleaning products can cling to it and create stains.

### Warranty

Prochef offers a FIVE (5) YEAR LIMITED WARRANTY on the fixed components of its fireclay sinks, ensuring them against defect of material and workmanship and against fading/staining. This warranty is limited to defects or damages resulting from a normal residential use. For further details on our product warranty, please refer to our catalog or Website.

#### IMPORTANT

\*Due to manufacturing process of fine fireclay sinks, dimensions can vary  $\pm 3/16''$  (5 mm). We recommend that your kitchen fitter cuts countertop only after having measured sink. Make sure structure can support weight of sink full of water.