

**Urbania 6031 L-SFLR - Left hand drain, 3 Skirts (Front, Left and Right)**

Product code : **UR6031L-SFLR**

Draft revision : **20170825115000**

External dimensions : **60" x 31" x 17,5" [152,4 cm x 78,7 cm x 44,5 cm]**

Series : **freestand**

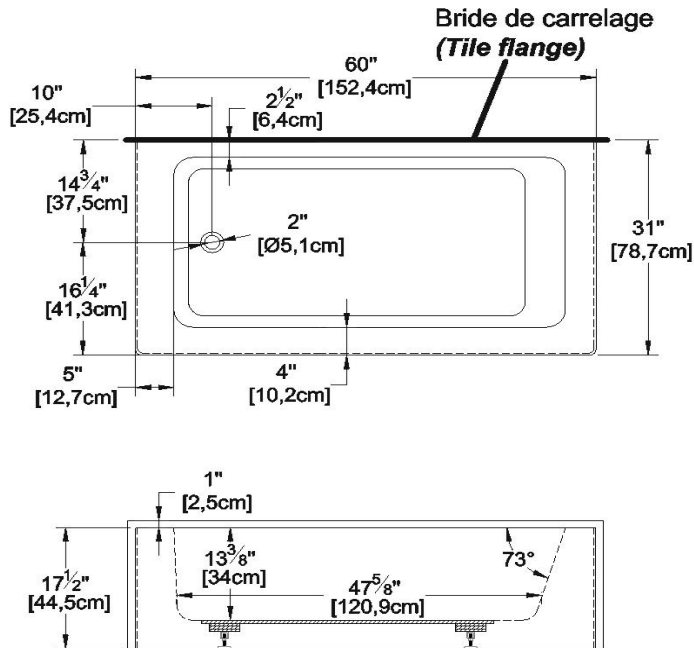
Seats : **1**

Lowbar support : **no**

Arm rests : **no**

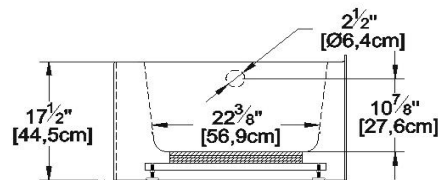
Low-profile available : **no**

**Draft and specs**

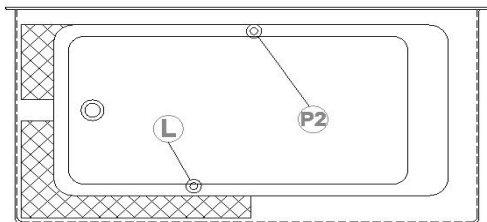


| Specifications       |  |
|----------------------|--|
| Capacity :           | <b>28,5 IMP Gal. / 37,2 US Gal. / 129,6 liters</b> |
| AeroMassage™ :       | <b>unavailable</b>                                 |
| Super AeroMassage™ : | <b>unavailable</b>                                 |
| Dynamic Turbo™ :     | <b>unavailable</b>                                 |
| Comfort Air™ :       | <b>unavailable</b>                                 |
| Characteristics :    | <b>3 integrated skirts</b>                         |

| Remarks  |  |
|--|--|
| *all measures have a precision of ± 1/4" (0,63cm)                        |  |
| *internal dimensions taken at 4" (10cm) from bath bottom                 |  |
| *capacity is measured by filling the soaker to 1-1/2" under the overflow |  |



**Options and installation**



| Legend                                     |        |                             |                     |     |        |
|--|--------|-----------------------------|---------------------|-----|--------|
| (S)  | Blower | (L)                         | Chromotherapy light |     |        |
| (P1)                                       | Pump   | (P2)                        | Grab bar            | (C) | Keypad |
| [X] Recommended faucets drilling location* |        | Deck cut-out line - - - - - |                     |     |        |

| Available models                           |              |
|--|--------------|
| Model                                      | Availability |
| Soaker alone                               | ✓            |
| Comfort Air™                               |              |
| AeroMassage™                               |              |
| Super AeroMassage™                         |              |
| Dynamic Turbo™ (not available in the U.S.) |              |
| Dynamic Turbo™ + AeroMassage™              |              |
| Dynamic Turbo™ + Super AeroMassage™        |              |

Additional(s) note(s) :

**Integrated acrylic tile flanges. Available in white only. Only one handle can be factory installed.**

| Available recommended options                         |  |
|---|--|
| Front skirt :   |  |
| Recommended drain : <i>WOCO14 (chrome finish)</i>     |  |
| Tile flanges : <i>Included on sides without skirt</i> |  |
| Remote control** : <i>unavailable</i>                 |  |
| **Floating  |  |

\*It is possible to install the faucets elsewhere on the product. The installer must verify that there are no piping or wires before drilling.

**IMPORTANT NOTE : Specifications, dimensions and models are subject to change.**

Visit our website <http://www.oceania-attitude.com> to access up-to-date dimensions and informations. In all cases, information on the website is the most up-to-date. Dimensions may vary slightly. To ensure proper fit, measurements must be taken on the product directly.

Head office

591, avenue des Entreprises  
Thetford Mines, Quebec  
CANADA G6H 4B2

Phone numbers

No-charge : 1-877-332-4224  
Fax : 1-866-460-4334

Internet

Web : <http://www.oceania-attitude.com>  
Email : [info@oceanibaths.com](mailto:info@oceanibaths.com)