

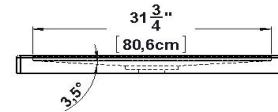
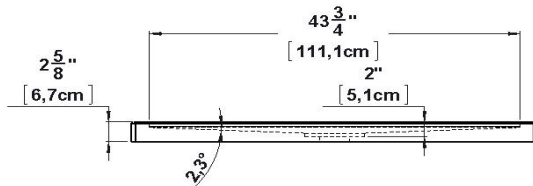
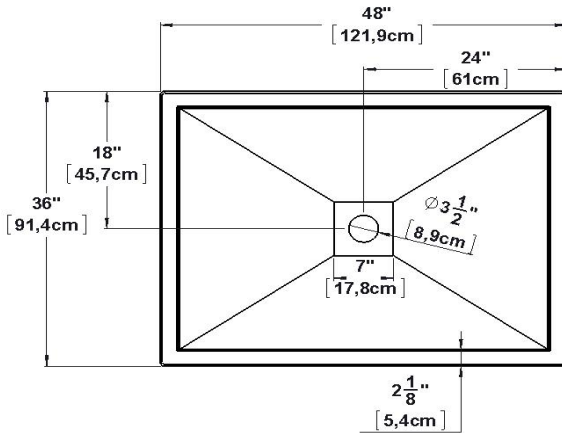
Base 48x36 square drain cover Product code : **SB4836**

Draft revision : 20140710150000

External dimensions : **48" x 36" x 2,625"** [121,9 cm x 91,4 cm x 6,7 cm]

Material : **acrylic**

Draft and specs

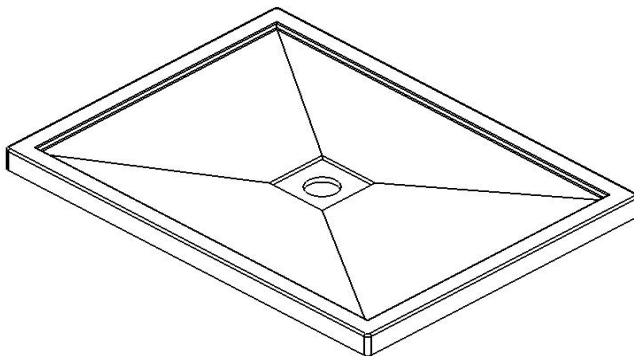


*slope at the floor of the shower may not be represented

Specifications
Textured floor : no
Footrest : no
Characteristics :

Remarks
*all measures have a precision of $\pm 1/4"$ (0,63cm)
*if a measure is present on one side only, part is symmetrical

Options and installation



Available options
shower hood : <i>n/a</i>
shower door : PB136 PB148 PB24836 PR23648 PBHG48 PBHG48R36 PBSD48 PBSD48R36 PBSD48R236

Additional note(s) :

Integrated tile flanges not shown. To be specified when ordering. Aluminium tile flanges can be supplied as an option.

IMPORTANT NOTE :
Specifications, dimensions and models are subject to change.
Visit our website <http://www.oceania-attitude.com> to access up-to-date dimensions and informations. In all cases, information on the website is the most up-to-date.

*default hardware and decorative lines positions are approximatives