

# ALEXANDRIA

## Grab Bar (Three Post) **1020-3942**



### Features

- Solid brass construction
- Three-post design
- Complements Alexandria product series

### Codes / Standards Compliance

Meets or exceeds the following at date of manufacture:

- All applicable US Federal and State material regulations
- ADA

### Colors / Finishes

- 10B: Oil Rubbed Bronze
- 15: Polished Nickel
- 15S: Satin Nickel - PVD
- 26: Polished Chrome
- Other: Refer to the Newport Brass catalog for additional color/finish options.



### Specified Model

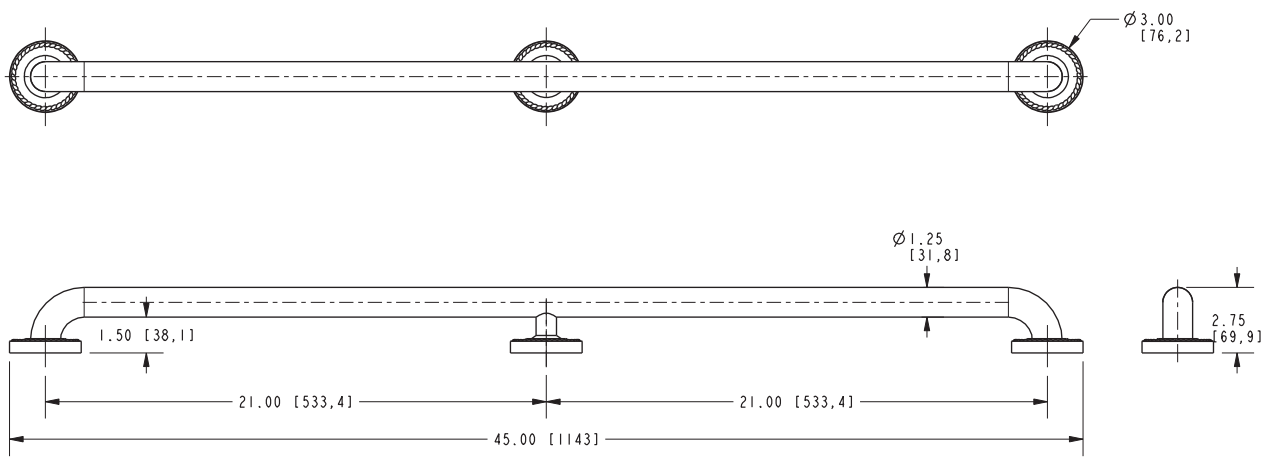
Model	Description	Colors   Finishes
1020-3942	42" Grab Bar	<input type="checkbox"/> 10B <input type="checkbox"/> 15 <input type="checkbox"/> 15S <input type="checkbox"/> 26 <input type="checkbox"/> Other

### Product Specification Add "Color / Finish" suffix to Model number, below.

The Grab Bar shall be made of solid brass construction. Grab Bar shall complement Newport Brass Alexandria product series. Grab Bar shall be Newport Brass Model 1020-3942/\_\_\_\_.

# 1020-3942

## PRODUCT DIMENSIONS *(Units are in inches)*



 MEETS OR EXCEEDS ASTM F446 STANDARDS AND CONFORMS TO ADA GUIDELINES.

**Alexandria Grab Bar (Three Post)**  
**1020-3942**