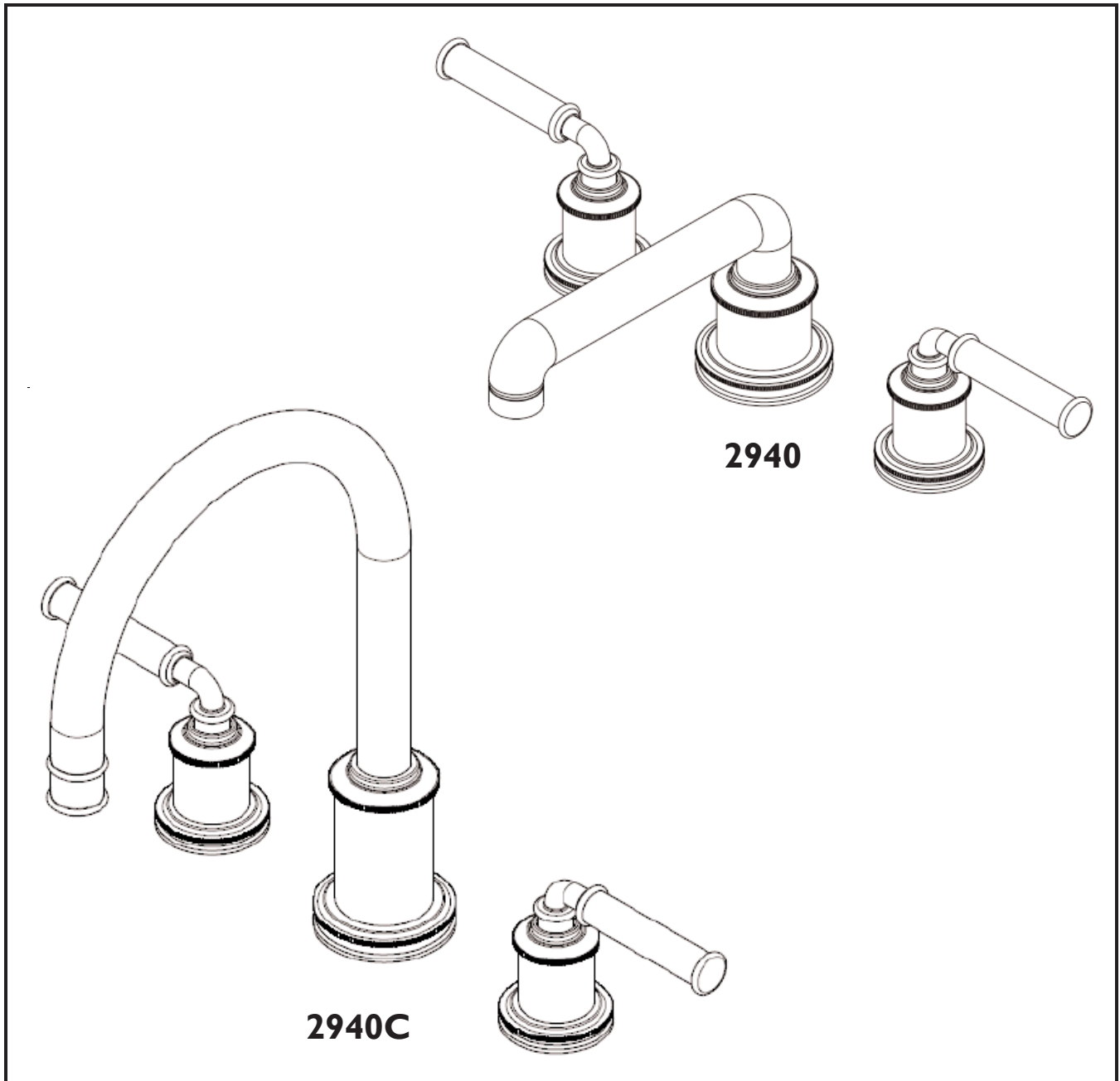


WIDESPREAD LAVATORY SET INSTALLATION INSTRUCTIONS

MODEL : 2940, 2940C



NEWPORT BRASS

Flawless Beauty. From Faucet to Finish.™

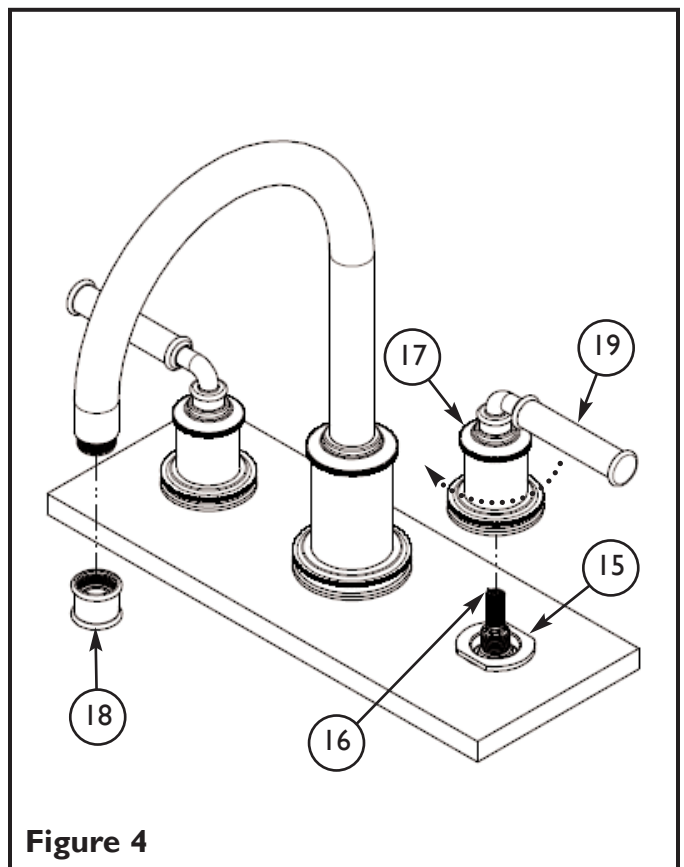
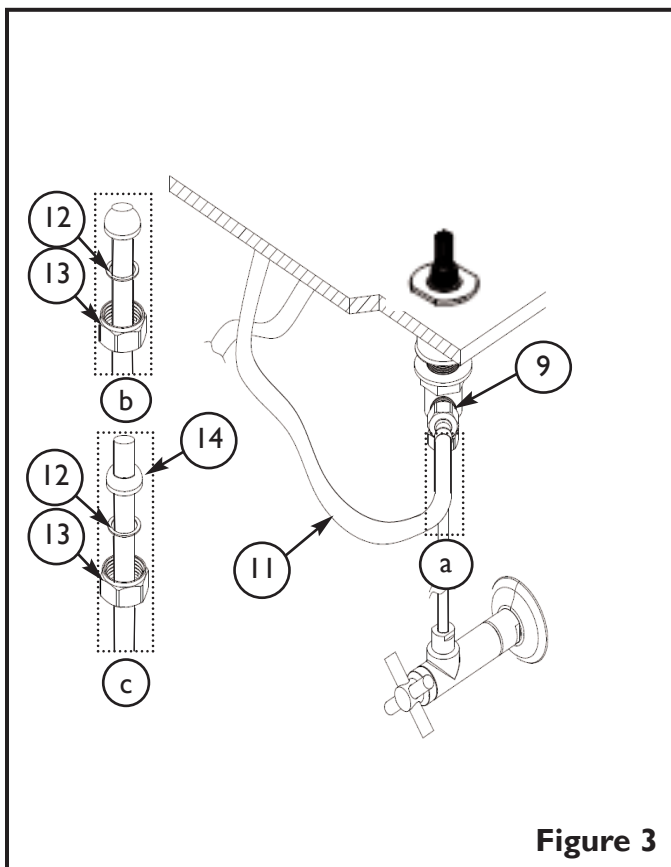
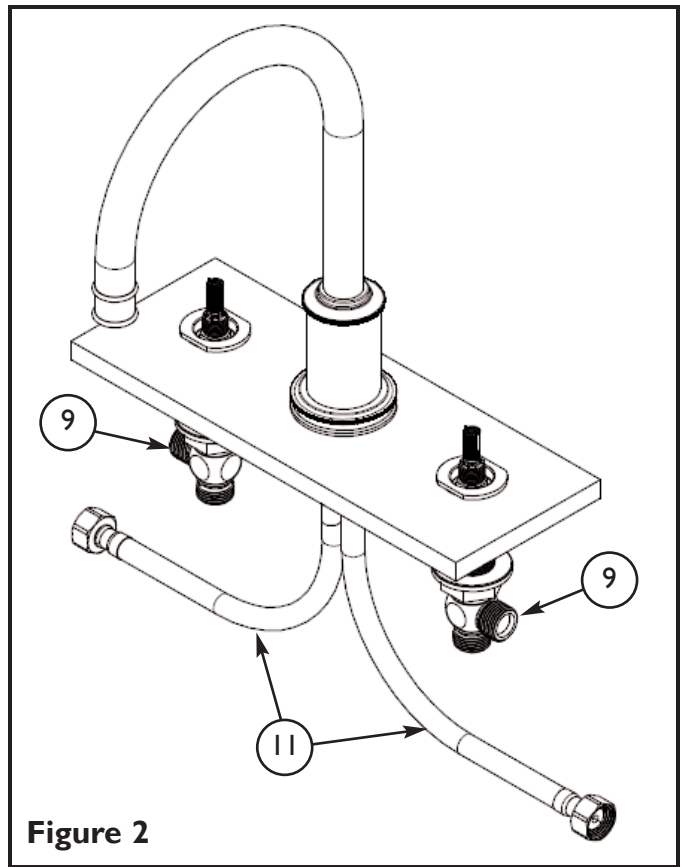
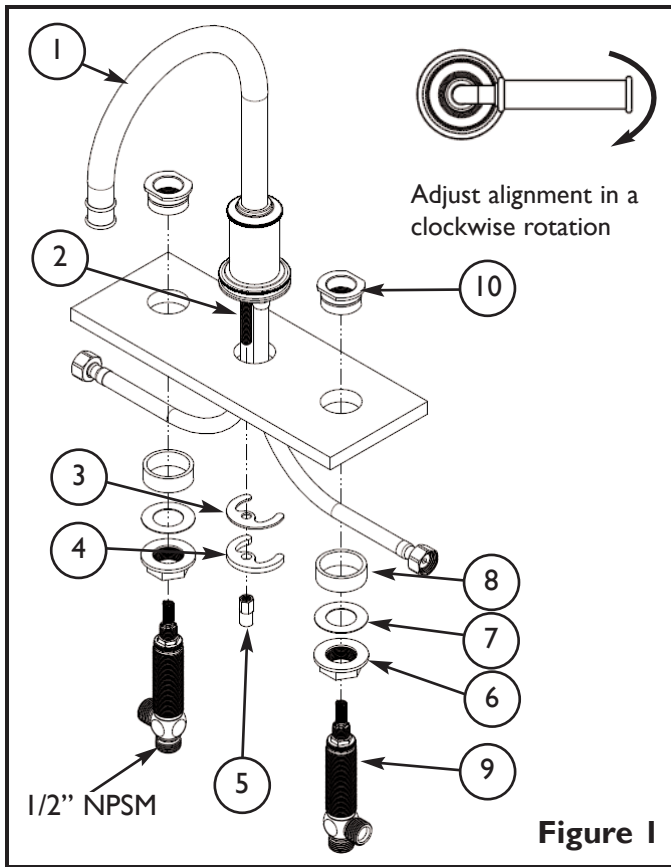
2001 CARNEGIE AVE, SANTA ANA CA 92705

(949) 417-5207

We recommended installation of this product by a Professional Plumbing Contractor

Note: The use of petroleum base plumbers putty on our products will nullify the warranty. We recommend the use of clear silicone sealing materials. Recommended deck hole $\varnothing 1\text{-}3/8''$ and $\varnothing 1\text{-}3/8''$ for two side holes.

1. Place the SPOUT (1) hoses, one at a time, and threaded ROD (2) through center hole of mounting surface. Secure SPOUT (1) into place with WASHER (3), BRACKET (4) and NUT (5). See **Figure 1**.
2. Place flange NUT (6), WASHER (7) and SPACER (8) on valve BODY (9). Insert valve BODY (9) through the hole in the mounting surface and thread into INVERTED NUT (10) until it bottoms out. Before tightening NUT (6), check alignment of handle. Any adjustments for rotational alignment must be made to the valve BODY (9), not to the cartridge. See **Figure 1 & Figure 2**.
3. Connect the loose end of flexible HOSE (11) to side outlet of valve BODY (9). (Hand-tighten and secure each connection with a wrench $1/4$ turn.) Repeat on other side. See **Figure 2**.
4. Connect hot/cold water supply to appropriate $1/2''$ NPSM valve BODY (9), utilizing one of the three following types of risers. Supply risers not included. See **Figure 3**.
 - a. $1/2''$ IPS flexible riser: discard rubber nosecone WASHER (14), friction WASHER (12) and coupling NUT (13).
 - b. $3/8''$ or $1/2''$ OD bullnose riser: utilize friction WASHER (12) and coupling NUT (13).
 - c. $1/2''$ copper riser: utilize rubber nosecone WASHER (11), friction WASHER (12) and coupling NUT (13).
5. Secure HANDLE (19) into place by first engaging the STEM (16) and then threading HANDLE BODY (17) onto CARTRIDGE (15). Any adjustments for rotational alignment must be made to the valve BODY (9), not to the CARTRIDGE (15). See **Figure 4**.
6. Remove AERATOR (18) from SPOUT (1). Turn on water supply, and flush both VALVES until water is clear. Check for leaks and make any final adjustments required. Re-attach AERATOR (18) to the SPOUT (1). See **Figure 4**.
7. Do not remove drain PLUG (20) from FLANGE (21). Place FLANGE (21) and white WASHER (22) through sink drain opening. (Clear silicone may be used in place of white washer.) From bottom side of sink, place cone shaped rubber WASHER (23) onto FLANGE (21) and slide up against sink bottom. Note: Cone portion of WASHER (23) to face upward. Next slide on clear flat WASHER (24) and secure with flange NUT (25). Assemble O-RING (26) to TAILPIECE (27) and attach to drain FLANGE (21). Attach TAILPIECE (27) to p-trap drain (28) (not included). See **Figure 5**.



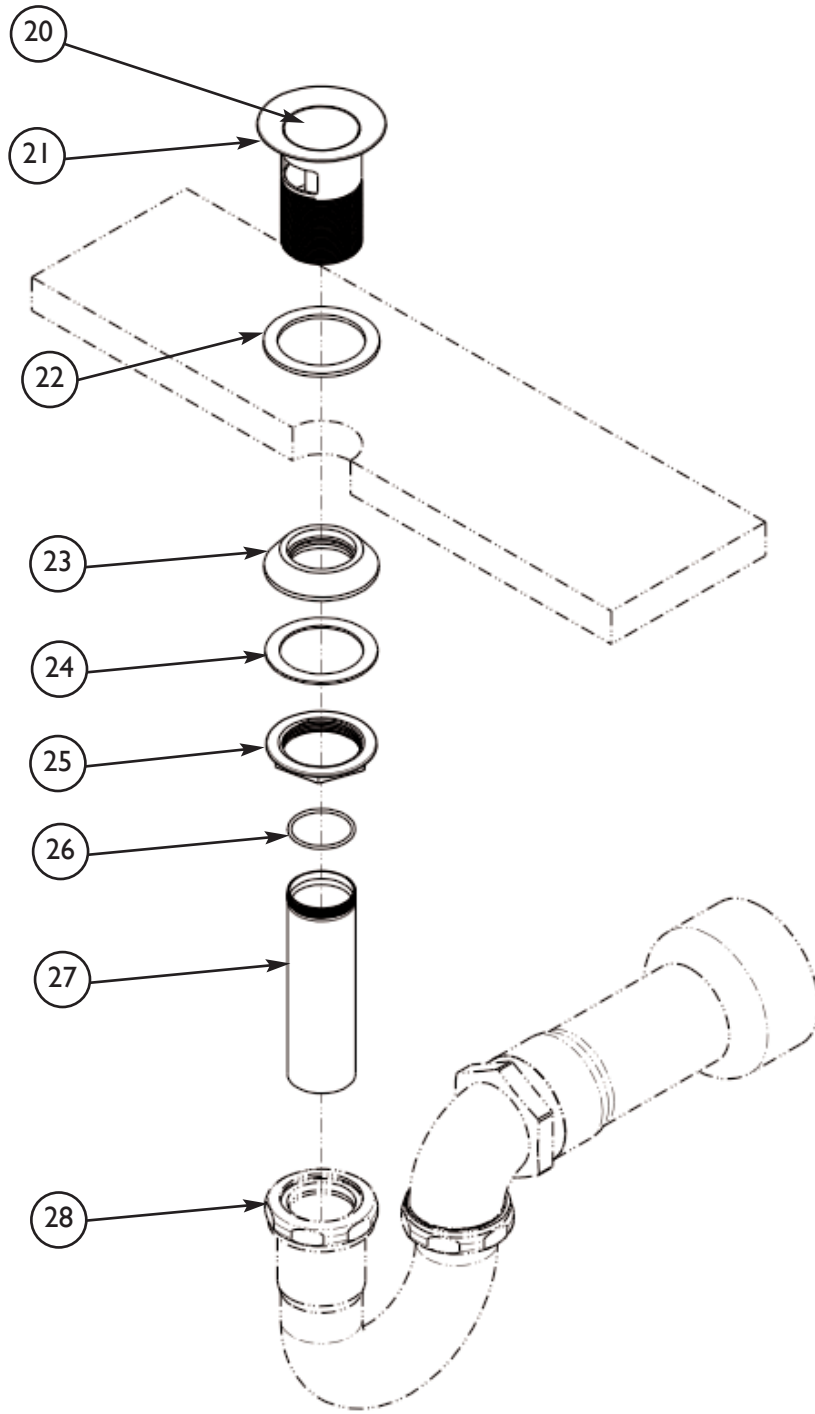


Figure 5