
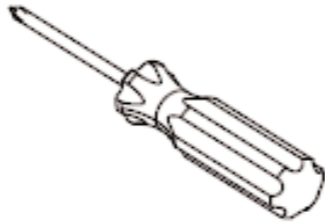

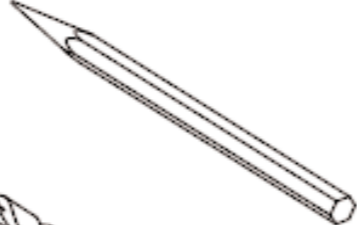

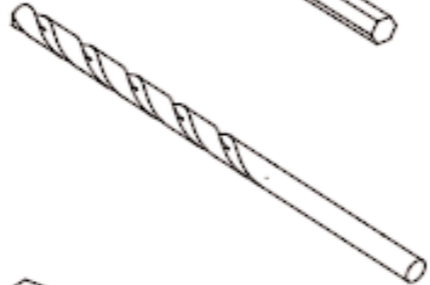

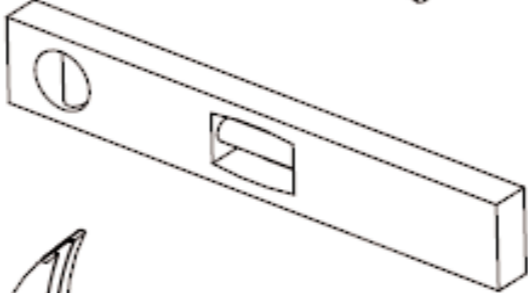

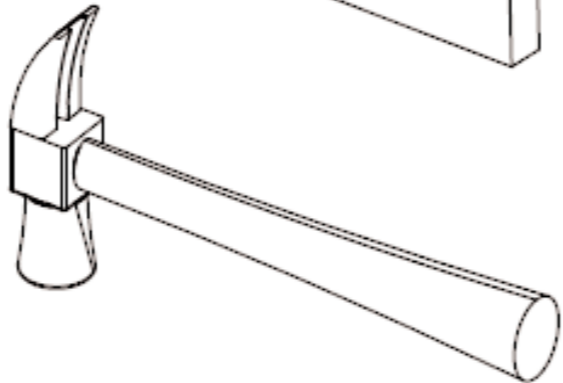

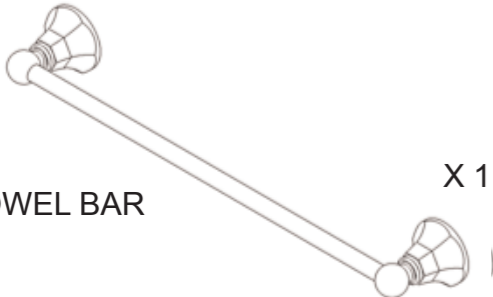


ITEMS INCLUDED		TOOLS REQUIRED	
DRY WALL ANCHOR	 X 4	PHILLIPS SCREW DRIVER	
TILE ANCHOR	 X 4	PEN / PENCIL	
#8 SCREW	 X 4	1/4" (6 mm) DRILL	
MOUNTING BRACKET	 X 2	LEVEL SET	
M5 X 3.5 SET SCREW	 X 2	HAMMER	
2.5 MM HEX KEY	 X 1		
TOWEL BAR	 X 1		

## INSTALLATION INSTRUCTIONS

### TOWEL BAR



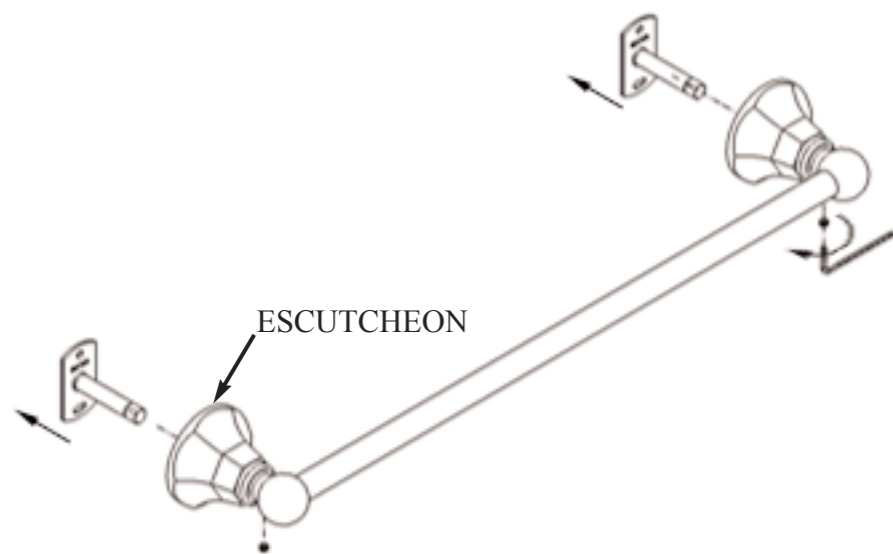
2001 CARNEGIE AVE, SANTA ANA CA 92705

(949) 417-5207

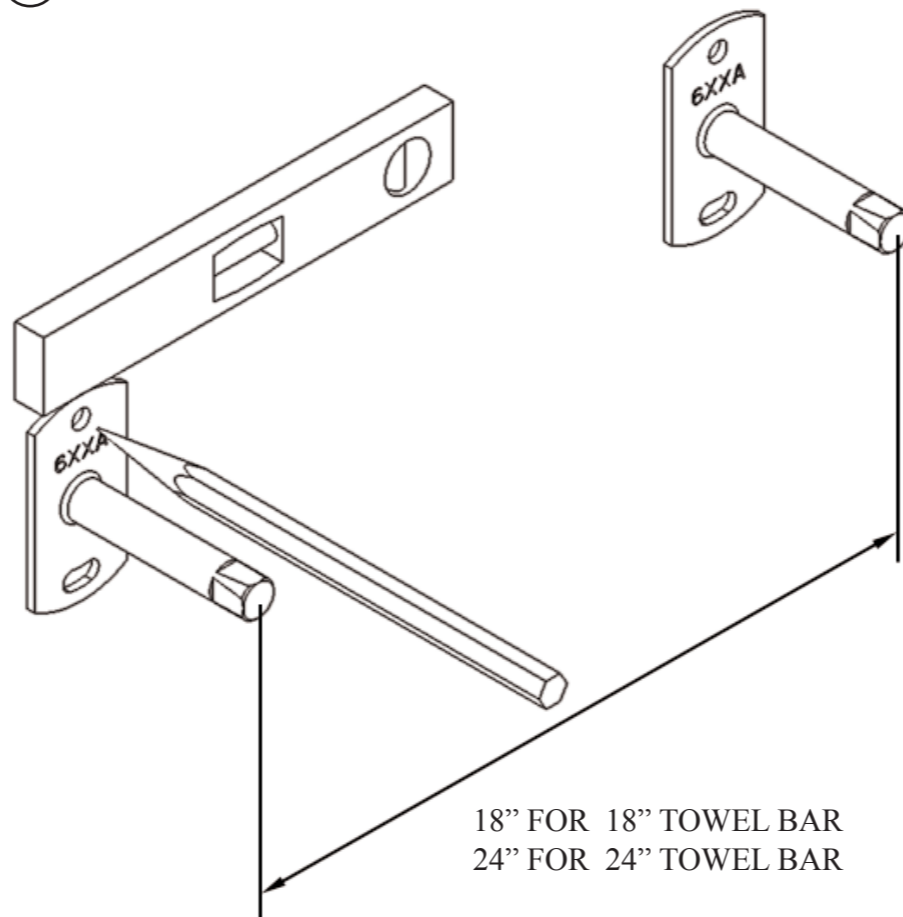
WWW.GINGERCO.COM

WWW.NEWPORTBRASS.COM

1 REMOVE MOUNTING BRACKETS

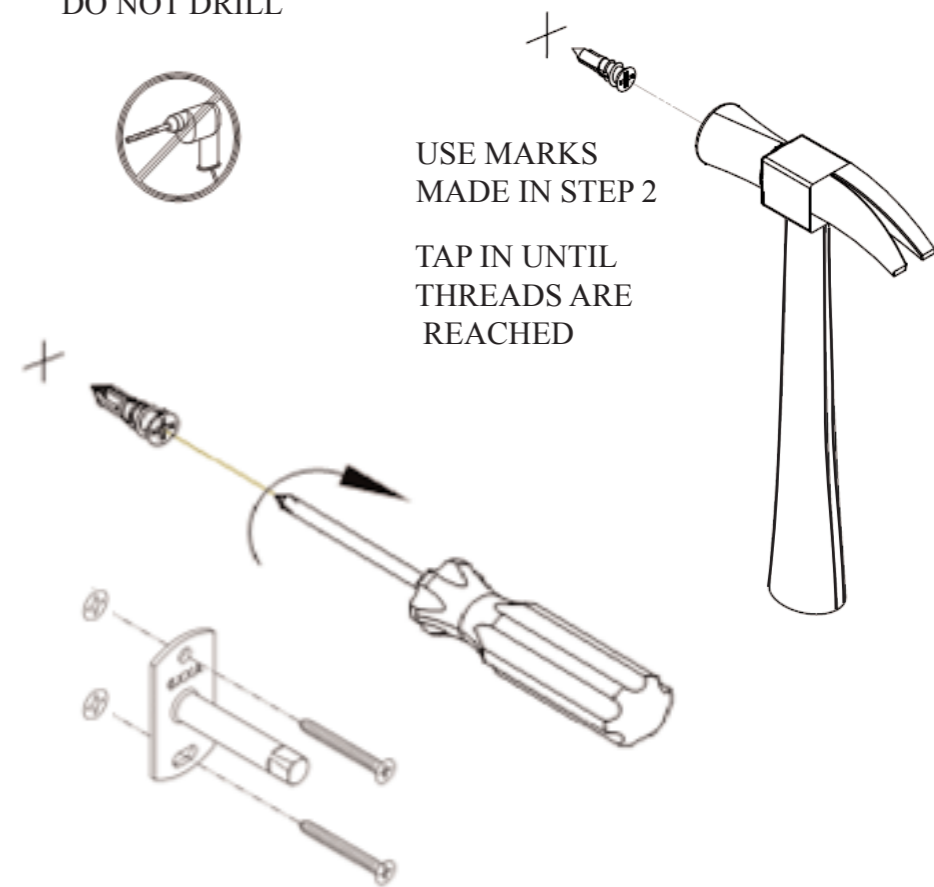


2 ALIGN MOUNTING BRACKETS AND MARK LOCATION



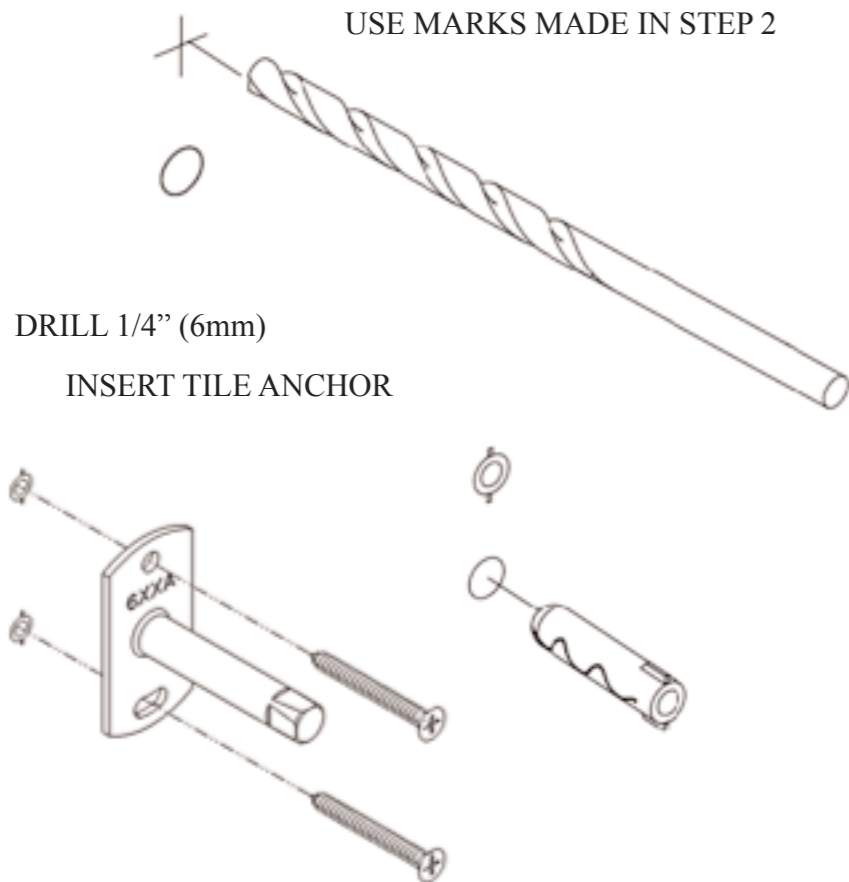
3 DRY WALL INSTALLATION

DO NOT DRILL



4 TILE OR SOLID WALL INSTALLATION

USE MARKS MADE IN STEP 2



5 INSTALL PRODUCT ONTO BRACKETS

