

# MODEL **SPIN C**

## Cold Filtered Water Stainless Steel Faucet

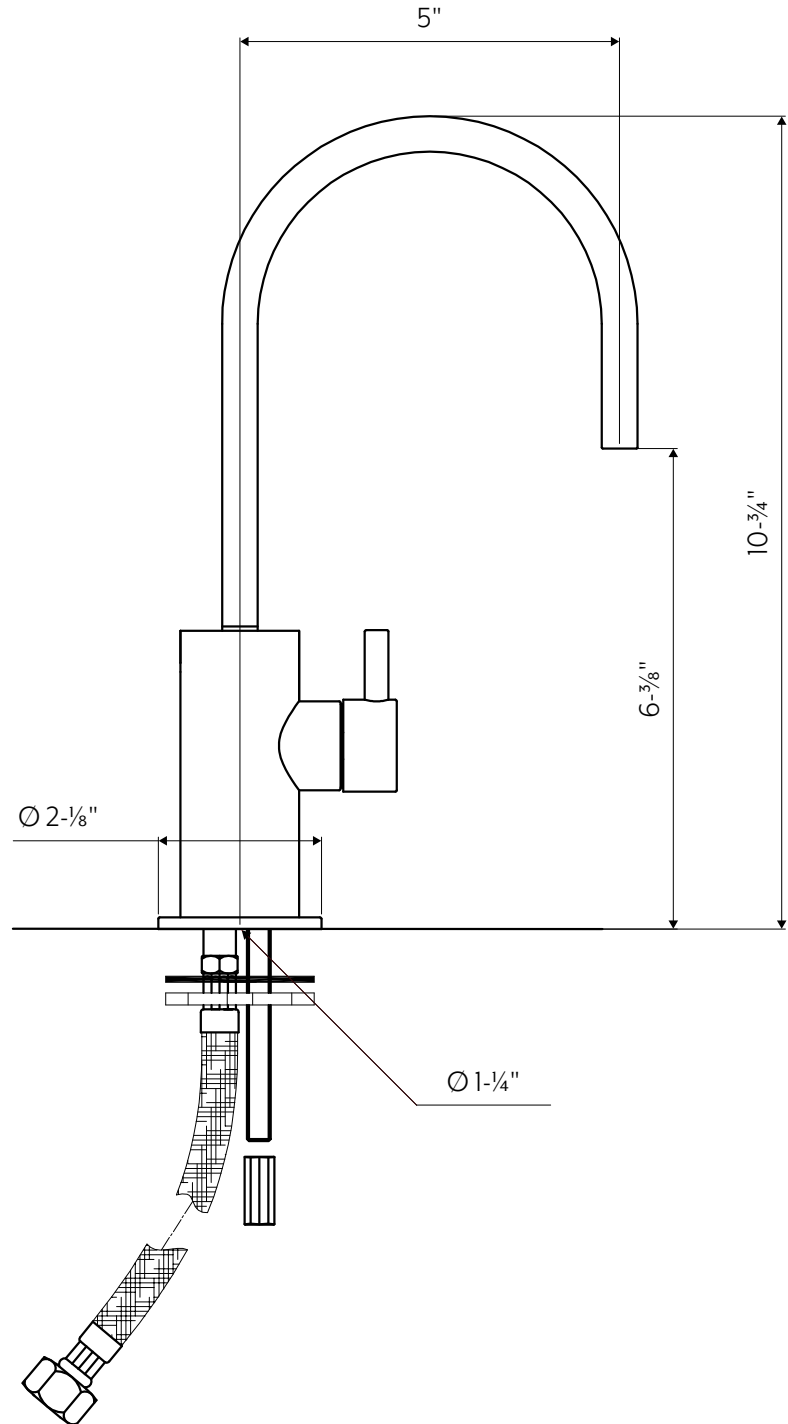
### SP-VS-C

SP-VS-C-SSM	Stainless Steel Matte
SP-VS-C-SSP	Stainless Steel Polished
SP-VS-C-SSMB	Stainless Steel Matte Black PVD
SP-VS-C-SSMG	Stainless Steel Matte Gold PVD
SP-VS-C-SSMRG	Stainless Steel Matte Rose Gold PVD*
SP-VS-C-SSMT	Stainless Steel Matte Titanium PVD*

- Marine Grade 316L machined stainless steel construction
- Maximum counter thickness: 1-5/8"
- Minimum install hole diameter: 1-1/8"
- Braided stainless steel flexible hoses 3/8" compression
- Left-side, right-side or front lever installation
- The spout rotates 360°
- Compatible with Reverse Osmosis filtration systems
- Can be connected to a water chiller through the cold water line
- Fully recyclable
- 100% lead free – the ideal choice for your drinking water
- Areas of application: Indoor & outdoor

#### COMPATIBLE WITH (not supplied)

- MT670-2 Mountain Plumbing water chiller
- MT6K-HF Mountain Plumbing water filter



\* Available by special order only.  
Please allow 14-16 weeks lead-time.

**FB** Forte Brands™

393 Fortune Blvd, Milford, MA 01757 USA  
1.844.992.8371

fortebrands.com



Exclusively distributed in North America by Forte Brands.