

LIBERA Lavatory Item #5301S

Features:

- Solid surface lavatory with overflow
- Wall-mount or vanity top installation
- With overflow and decorative drain cover
- Recommended drain option item #7100-18OF
- Faucet holes diameter is 1 3/8"
- Material is heat, stain, scratch, chemical, and impact resistant
- Can be installed to meet ADA compliance

Recommended Accessories:

- Item #5301C: Wall-mount undercounter vanity
 - LED lights
 - Flip-open door with polished chrome pull
- Item #5301L: Floor-standing stainless steel console stand
 - It must be attached to a wall



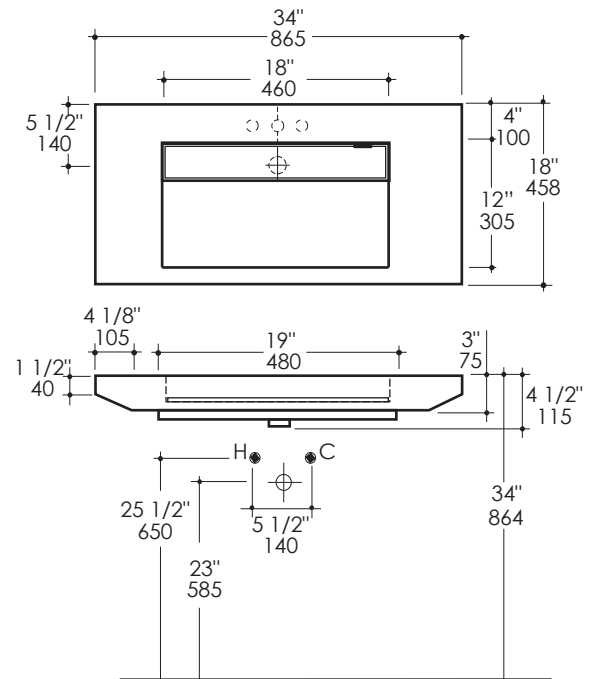
Finish Options:

- 001M - Matte White (solid surface)
- 001G - Gloss White (solid surface)

Faucet Hole Options:

- 00 - None
- 01 - One
- 02 - Two - center and right
- 03 - Three in 8" spread

Product Specifications:



Notes:

Drawings provided herein are meant to give the user an idea of the product and are not made to scale. The size in inches is rounded up to the nearest 1/16". Slight variances can often occur with porcelain and woodwork. Therefore, LACAVA will not be held responsible for any cutouts, countertops, or furniture made without the actual product or template from LACAVA. Differences in color, grain, appearance and texture are inherent in all natural woodwork, and should be expected. Variances in these qualities are not deemed manufacturing defects, and will not be accepted as valid reasons to return or exchange any LACAVA woodwork. Plumbing specifications are only a guideline and may need to be altered based on the application.

Product specifications are not binding to the manufacturer and can be changed without notice at any time. Please refer to your shipment for product final sizes.

LACAVA is committed to the highest level of customer service. Please feel free to contact us at 1-888-522-2823 (toll free) or by email at info@lacava.com for technical assistance or any general inquiries.

Rev. 7-13-2018