

Aquaquattro Vanity Item #5216C

Features:

- Free standing undercounter wood vanity
- Three doors with finger pull opening
- Three drawers with K470-CR hardware
- Soft close drawer slides and concealed European hinges
- Washbasin sold separately
- Handmade in USA
- Manufactured with low VOC finishes and wood from renewable forests

Recommended Accessories:

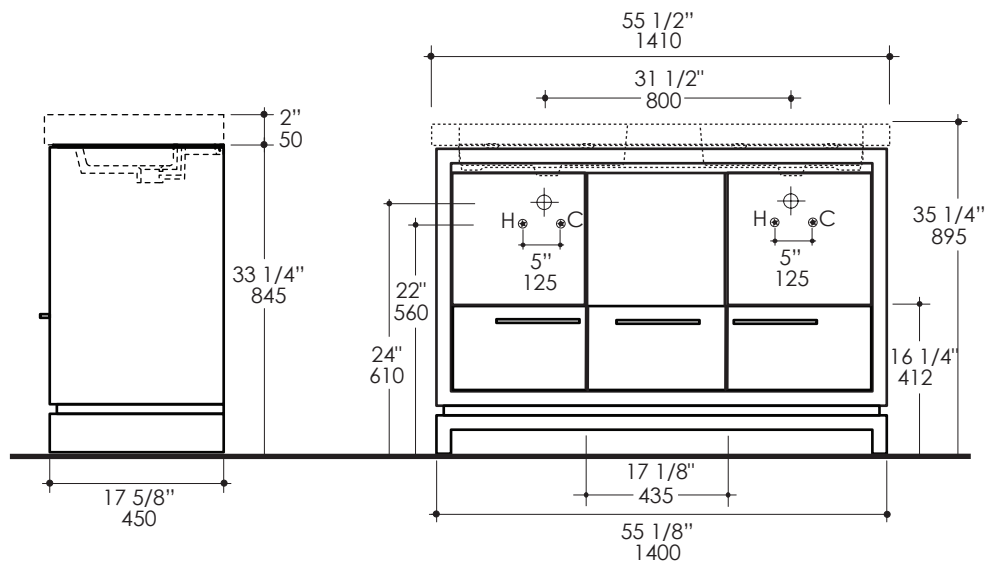
- Item #5216: Vanity top porcelain double-bowl sink with overflow
- Finish options: White (-001)
- Faucet hole options available: None, One, Two, or Three in 8" spread



Finish Options:

- 02 - Natural Cherry
- 06 - Wenge
- 07 - Natural Walnut
- 08 - Matte White (T1 - fine texture)
- 16 - Matte Black (T1 - fine texture)
- 18 - Ebony
- 20 - Ash Gray
- 22 - Gray Zebra
- 24 - Classic Walnut
- 31 - White Oak
- 33 - African Mahogany
- 35 - Matte Ardesia (T1 - fine texture)
- 36 - Espresso
- 37 - Weathered Oak
- 47 - Smoky Walnut
- 50 - Horizon Blue
- 52 - Silver Oak
- 54 - Matte Taupe (T1 - fine texture)
- 84 - Gloss Taupe
- 85 - Gloss White
- 86 - Gloss Black
- 88 - Gloss Ardesia

Product Specifications:



Notes:

Drawings provided herein are meant to give the user an idea of the product and are not made to scale. The size in inches is rounded up to the nearest 1/16". Slight variances can often occur with porcelain and woodwork. Therefore, LACAVA will not be held responsible for any cutouts, countertops, or furniture made without the actual product or template from LACAVA. Differences in color, grain, appearance and texture are inherent in all natural woodwork, and should be expected. Variances in these qualities are not deemed manufacturing defects, and will not be accepted as valid reasons to return or exchange any LACAVA woodwork. Plumbing specifications are only a guideline and may need to be altered based on the application.

Product specifications are not binding to the manufacturer and can be changed without notice at any time. Please refer to your shipment for product final sizes.

LACAVA is committed to the highest level of customer service. Please feel free to contact us at 1-888-522-2823 (toll free) or by email at info@lacava.com for technical assistance or any general inquiries.

Rev. 4-6-2018