

Arch Shower Head Item #275

Features:

- Hand-held round shower head with five function variable spray
- Includes 59" flexible hose
- Hook and intake sold separately
- Easy-clean rubber nozzles
- Flow rate: 4.6 GPM Max at 60 PSI (varies by shower function) & 1.3 GPM Min
- Includes back flow preventer with flow regulator 2.5 GPM
- Meets and exceeds the following standard: ASME A112.18.1-2012/CSA B125.1-12

Recommended Accessories:

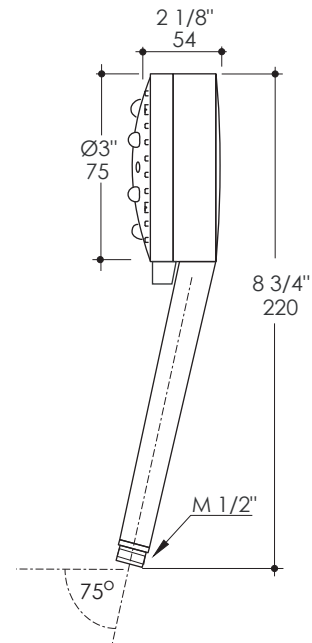
- Item #0170: Wall-mount rail with hook for hand-held shower head
- Item #1573: Water intake

Finish Options:

CR - Polished Chrome



Product Specifications:



Notes:

Drawings provided herein are meant to give the user an idea of the product and are not made to scale. The size in inches is rounded up to the nearest 1/16".

LACAVA is committed to the highest level of customer service. Please feel free to contact us at 1-888-522-2823 (toll free) or by email at info@lacava.com for technical assistance or any general inquiries.

Rev. 12-08-2014