

Features

- Asymmetrical oval basin.
- Available with or without (-N) overflow.
- No faucet holes; requires wall- or counter-mount faucet.
- 20-7/8" (530 mm) x 13-13/16" (351 mm) x 8" (203 mm)

Material

- Fireclay with Supramic Technology.

Installation

- Vessel Bathroom Sink.



ADA CSA B651 OBC

Codes/Standards





ADA
ICC/ANSI A117.1
CSA B651
OBC

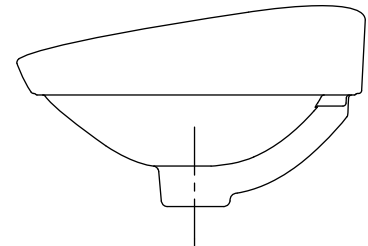
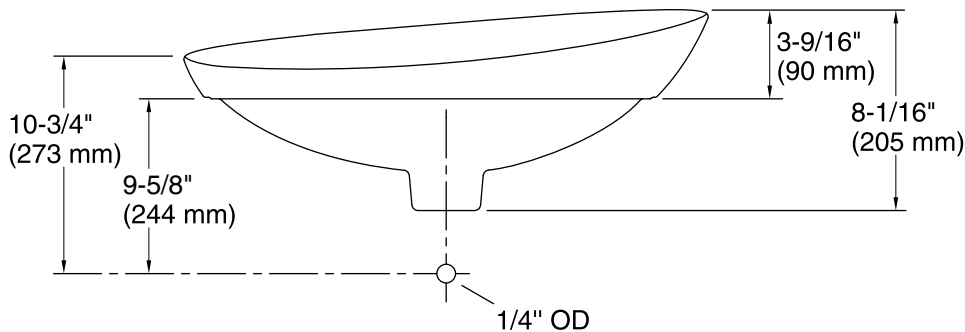
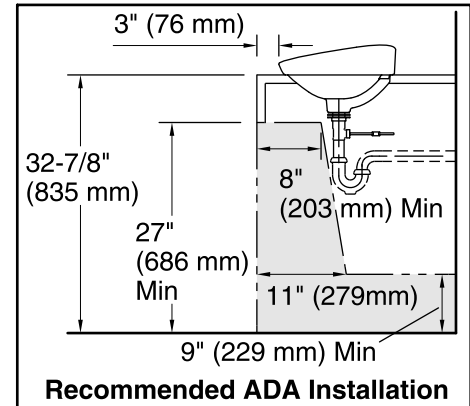
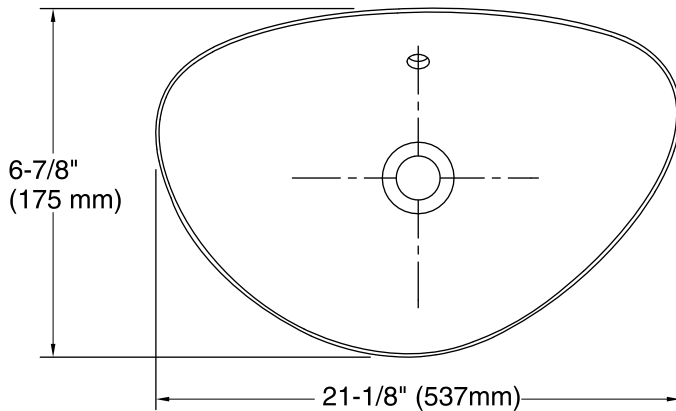
KOHLER® One-Year Limited Warranty

See website for detailed warranty information.

Available Color/Finishes

Color tiles intended for reference only.

Color	Code	Description
	0	White
	96	Biscuit
	NY	Dune
	7	Black Black™



Technical Information

All product dimensions are nominal.

- Installation: Vessel
 Drain hole: 1-3/4" (44 mm)
 Template: 1317551-7, not required, included

Notes

Install this product according to the installation instructions.

NOTICE: Countertop manufacturer or cutter must use the cut-out template provided with the product, or a current one provided by Kohler Co. (call 1-800-4-KOHLER). Kohler Co. is not responsible for cutout errors when the incorrect cut-out template is used.

ADA, OBC, CSA B651 compliant when installed to the specific requirements of these regulations.