



2½" x 36"–60" linear drain channel K-80646

Features

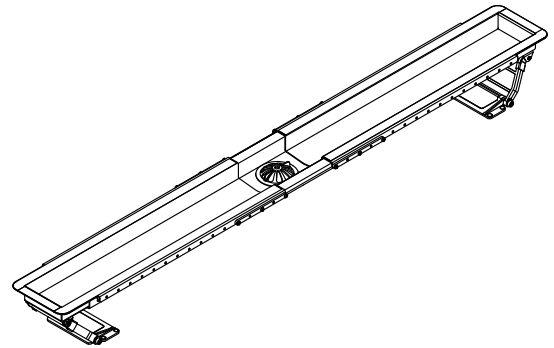
- Flush-to-wall design (recommended) provides a clean aesthetic; can also be installed within shower floor interior.
- Extend channel length from 36" to 60" for easier specification and precise wall-to-wall installation (if desired).
- Channel is pitched to outlet for easy cleaning and complete drainage; handles up to 15 gpm (56.8 lpm) flow capacity (rate may vary by installation).
- Drain outlet location is adjustable within center of channel, allowing you to bypass joists, venting, or other in-floor items.
- Outlet adapter can be preattached to drain pipe for simplified installation and access to couplings.
- Easy-clean domed hair strainer prevents clogs.
- Height-adjustable subfloor brackets ensure drain channel is securely mounted for a quicker, more robust single pour of cement floor.
- Removeable tile guide/mud guard keeps channel clean of debris during installation and provides a straight edge to tile against.
- Wide top flange with protective film ensures excellent waterproof adhesion.
- Can also be installed with KOHLER side-outlet adapter K-28987 (sold separately).
- Requires Kohler 2½" x 36", 2½" x 48", or 2½" x 60" linear drain grate.

Material

- Solid stainless steel and brass construction.
- KOHLER finishes resist corrosion and tarnishing.

Installation

- Through-the-floor, installed with tile.

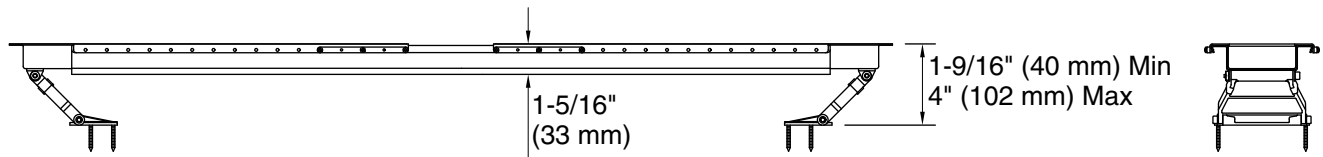
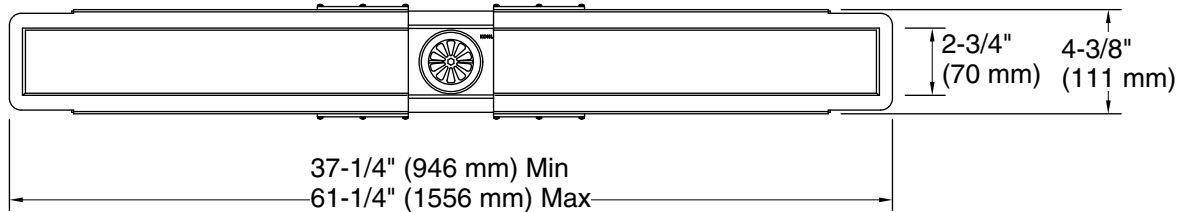


Codes/Standards

ASME A112.18.2/CSA B125.2

KOHLER® One-Year Limited Warranty

See website for detailed warranty information.



Technical Information

All product dimensions are nominal.

Material: Stainless Steel

Height: 1-1/2" (38 mm) - 4" (102 mm)

Notes

Install this product according to the installation instructions.