

Features

- Extends drain channel length by up to 36", from 60" to 96", for precise wall-to-wall installation
- Increases the standard drain's flow capacity from 15 gpm (56.8 lpm) to 30 gpm (113.4 lpm). Rate may vary by installation
- Drain outlet location can be adjusted to bypass joints, venting, or other in-floor obstacles
- Outlet adapter can be preattached to drain pipe for simplified installation and access to couplings
- Easy-clean domed hair strainer prevents clogs
- Subfloor brackets are height-adjustable to ensure the drain channel is mounted at the correct height during installation
- Wide-top flange with protective film ensures excellent waterproof adhesion
- Can also be installed with KOHLER side-outlet adapter K-28987 (sold separately)
- Requires at least two Kohler 1-1/4" x 36", 1-1/4" x 48", or 1-1/4" x 60" linear drain grates to span desired final drain length

Material

- Solid stainless steel and brass construction
- KOHLER finishes resist corrosion and tarnishing

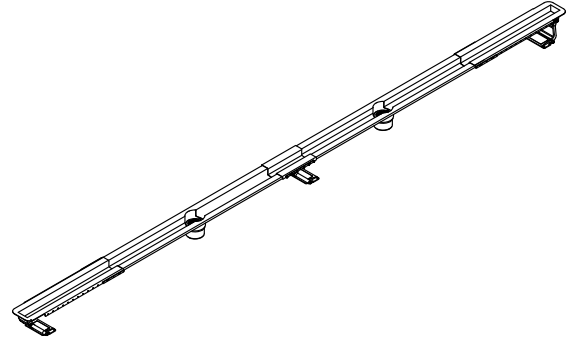
Installation

- Designed for installation with KOHLER K-32619 1-1/4" x 36"-60" linear drain channel (sold separately)
- Through-the-floor, installed with tile

Required Products/Accessories

For tile-in installation

K-32619 1 1/4" x 36"-60" linear drain channel

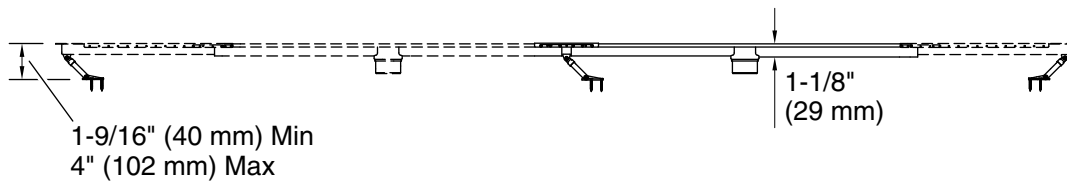
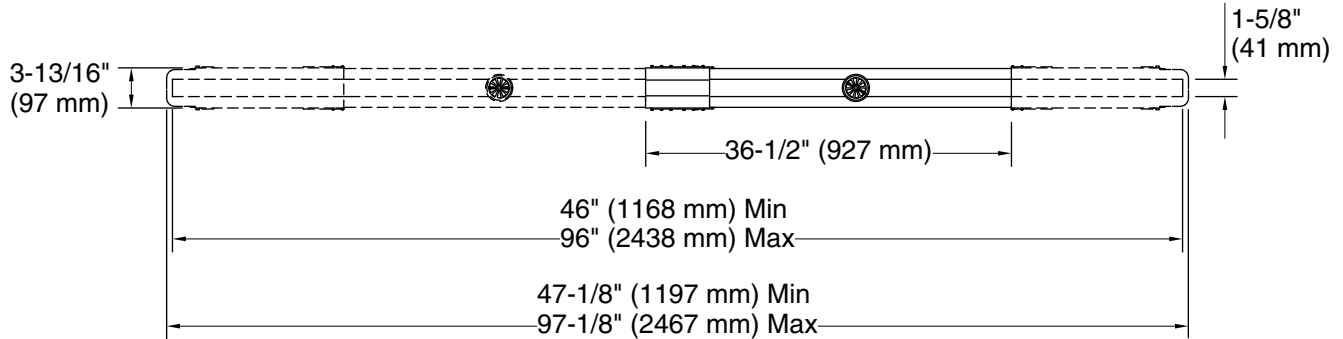


Codes/Standards

ASME A112.18.2/CSA B125.2

KOHLER® One-Year Limited Warranty

See website for detailed warranty information.



Technical Information

All product dimensions are nominal.

Installation Type: In-floor

Material: Stainless Steel

Height: 1-11/16" (42 mm) - 4" (102 mm)

Notes

Install this product according to the installation instructions.