



**Reckon™**  
3/4 HP garbage disposal  
**K-29361**

**Features**

- 3/4 HP heavy-duty induction motor powerfully grinds tough food waste.
- 26 oz grind chamber.
- Single-stage grind.
- Continuous feed lets you add scraps as you go.
- Removable sink baffle dampens motor sound.
- Compact design saves valuable cabinet space.
- Box includes: Disposal, stainless steel stopper, removable baffle, discharge tube kit, self-service wrench, mounting hardware.

**Material**

- Durable stainless steel construction.

**Installation**

- Requires power cord kit or hard-wired power connection.
- Under-sink.

**Recommended Products/Accessories**

K-11352 Disposal Flange with Stopper

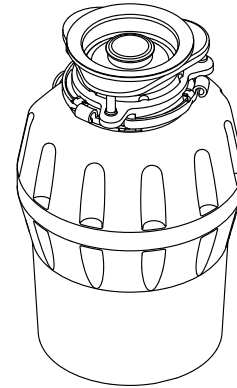
**Optional Products/Accessories**

K-29359 Garbage disposal power cord kit

**Included Components**

Additional Components:

- Discharge tube kit
- Self-service wrench

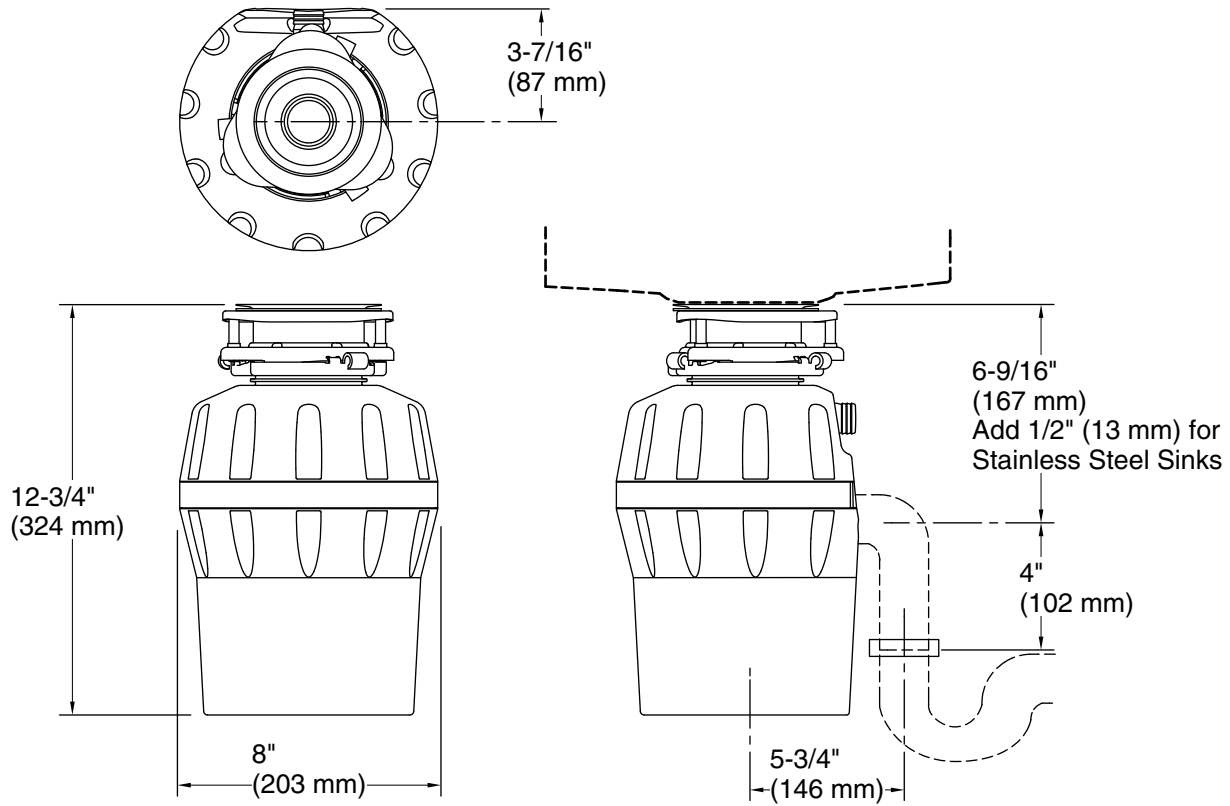


**Codes/Standards**

ASSE 1008  
UL 430

**KOHLER® Garbage Disposer Limited  
Warranty**

See website for detailed warranty information.



### Required Electrical Service

One circuit required.

Motor: 120 V, 9.5 A, 60 Hz

### Technical Information

All product dimensions are nominal.

Material: Plastic, Stainless Steel

Electrical component Motor: 60 Hz  
rating:

### Notes

Install this product according to the installation instructions.