

FEATURES

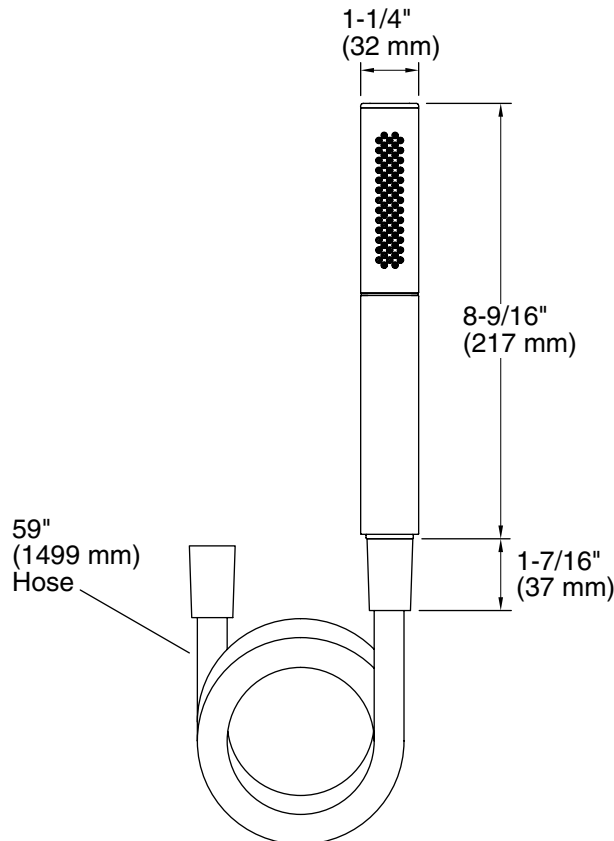
- 1.75 gal/min (6.6 l/min) flow rate
- Two spray options available (wide coverage spray, concentrated spray)
- Sprayface resists hard water build-up and is easy to clean
- 59" (1499 mm) hose included
- Complements Kallista faucets and fixtures

CODES/STANDARDS APPLICABLE

Specified model meets or exceeds the following:

- ASME A112.18.1/CSA B125.1
- EPA WaterSense® (Pending)

P24761



SPECIFIED MODEL

Model	Description	Finishes			
P24761-00	Soft Modern Wand Dual-Function Handshower	<input type="checkbox"/> CP Polished Chrome	<input type="checkbox"/> AD Nickel Silver	<input type="checkbox"/> AG Brushed Nickel	<input type="checkbox"/> LB Bronze
		<input type="checkbox"/> BL Matte Black	<input type="checkbox"/> W7 Black Nickel	<input type="checkbox"/> BV Brushed Bronze	<input type="checkbox"/> GN Gunmetal
Optional Accessories					
P21661-00	Contemporary Wall Supply Elbow	<input type="checkbox"/> CP Polished Chrome	<input type="checkbox"/> AD Nickel Silver	<input type="checkbox"/> AG Brushed Nickel	<input type="checkbox"/> LB Bronze
		<input type="checkbox"/> GN Gunmetal	<input type="checkbox"/> W7 Black Nickel	<input type="checkbox"/> BL Matte Black	
P21663-00	Contemporary Deck-Mount Handshower Mounting Trim	<input type="checkbox"/> CP Polished Chrome	<input type="checkbox"/> AD Nickel Silver	<input type="checkbox"/> AG Brushed Nickel	<input type="checkbox"/> LB Bronze
		<input type="checkbox"/> GN Gunmetal	<input type="checkbox"/> W7 Black Nickel	<input type="checkbox"/> BL Matte Black	
P24453-00	Contemporary Fixed Wall Bracket	<input type="checkbox"/> CP Polished Chrome	<input type="checkbox"/> AD Nickel Silver	<input type="checkbox"/> AG Brushed Nickel	<input type="checkbox"/> LB Bronze
		<input type="checkbox"/> GN Gunmetal	<input type="checkbox"/> W7 Black Nickel	<input type="checkbox"/> BL Matte Black	
P24456-00	Contemporary Slidebar	<input type="checkbox"/> CP Polished Chrome	<input type="checkbox"/> AD Nickel Silver	<input type="checkbox"/> AG Brushed Nickel	<input type="checkbox"/> LB Bronze
		<input type="checkbox"/> GN Gunmetal	<input type="checkbox"/> W7 Black Nickel	<input type="checkbox"/> BL Matte Black	
P21651-00	Traditional Wall Bracket with Integrated Supply Elbow	<input type="checkbox"/> CP Polished Chrome	<input type="checkbox"/> AD Nickel Silver	<input type="checkbox"/> AG Brushed Nickel	
		<input type="checkbox"/> BL Matte Black	<input type="checkbox"/> W7 Black Nickel	<input type="checkbox"/> BV Brushed Bronze	
P21653-00	Traditional Deck-Mount Handshower Trim	<input type="checkbox"/> CP Polished Chrome	<input type="checkbox"/> AD Nickel Silver	<input type="checkbox"/> AG Brushed Nickel	
		<input type="checkbox"/> BL Matte Black	<input type="checkbox"/> W7 Black Nickel	<input type="checkbox"/> BV Brushed Bronze	

We reserve the right to make revisions without notice in the design of products or in packaging unless this right has specifically been waived at the time the order is accepted.