

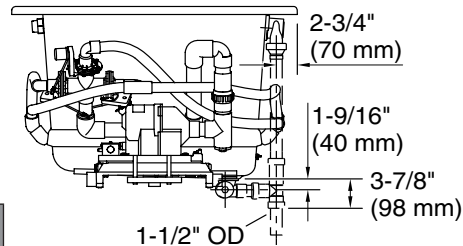
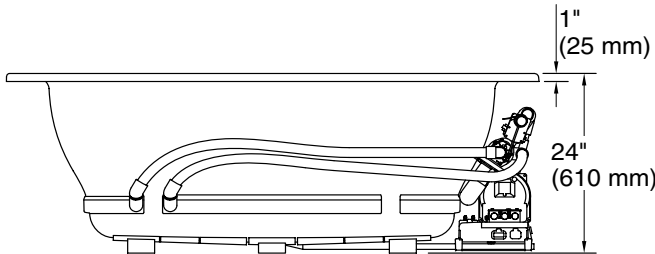
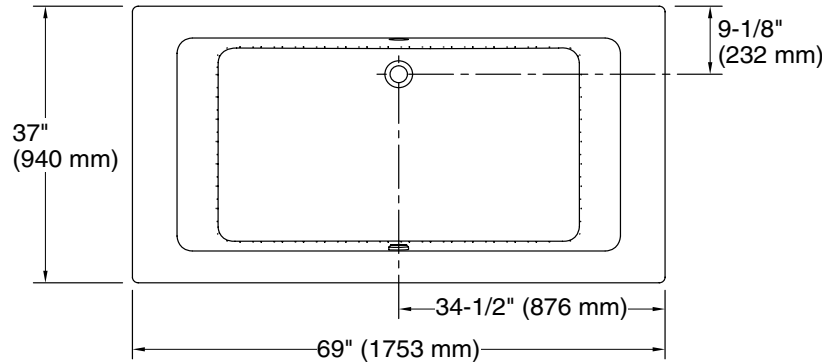
FEATURES

- Durable acrylic construction
- Generous 69" (1753 mm) x 37" (940 mm) size comfortably accommodates two bathers
- Integrated lumbar allows for a deep, relaxing soak
- Drop-in or custom undermount version
- Center side drain and overflow
- Complements multiple Kallista collections

CODES/STANDARDS APPLICABLE

Specified model meets or exceeds the following:

- CSA B45.5/IAPMO Z124
- ASME A112.19.7/CSA B45.10 (-G5 Model)
- UL 1795 (-G5 Model)
- ASTM E162
- ASTM E662
- EPA TSCA Title VI
- CARB P2



ROUGHING-IN NOTES

No change in measurements if connected with recommended drain illustrated.

Minimum Access Panel:

Blower/Control	34" (864 mm) W x 15" (381 mm) H Max	Required
Faucet Area		Recommended
Drop-in Cutout	68" (1727 mm) x 36" (914 mm)	

Floor support under bath must provide for a minimum of 42 lbs/square foot (205 kg/square meter) loading.

Hot water supply should be 70% of capacity or greater. Installations will vary.

REQUIRED ELECTRICAL SERVICE

Dedicated circuit required, protected with Class A Ground-Fault Circuit-Interrupter (GFCI) or Residual Current Device (RCD):

Blower Motor/Control	220-240 V, 15 A, 50/60 Hz
----------------------	---------------------------

PRODUCT INFORMATION

Fixture*:	Top Area	Inside Area	Weight
Bathing Well	57-3/8" (1457 mm) x 28-3/4" (730 mm)	46-3/4" (1187 mm) x 25-3/4" (654 mm)	95 lbs (43.1 kg) (-00) 160 lbs (72.6 kg) (-G5)
	Water Depth	Capacity	
To Overflow	17-7/8" (454 mm)	103 gal (390 L)	

PRODUCT INFORMATION (CONT.)

Heater	Voltage	Frequency	Amperage

SPECIFIED MODEL

Model	Description	Finishes		
P50045-00	Perfect Bathtub	<input type="checkbox"/> 0 Stucco White		
P50045-G5	Perfect Airbath	<input type="checkbox"/> 0 Stucco White		
Recommended Accessories				
P21581-00	Kallista Cable Drain	<input type="checkbox"/> NA		
P21582-00	Kallista Cable Drain Trim Kit	<input type="checkbox"/> CP Polished Chrome	<input type="checkbox"/> AD Nickel Silver	<input type="checkbox"/> AG Brushed Nickel
		<input type="checkbox"/> BZ Antique Bronze	<input type="checkbox"/> GN Gunmetal	<input type="checkbox"/> LB Bronze
		<input type="checkbox"/> W7 Black Nickel	<input type="checkbox"/> BCH Blush Bronze	<input type="checkbox"/> ULB Unlacquered Brass
Optional Accessories				
K-1179	Vinyl Tile-in Bead Installation Kit	<input type="checkbox"/> NA		
P50046-00	Undermount Kit	<input type="checkbox"/> NA		

We reserve the right to make revisions without notice in the design of products or in packaging unless this right has specifically been waived at the time the order is accepted.