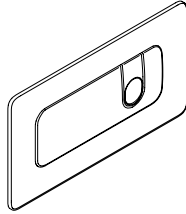


## INSTALLATION INSTRUCTIONS

---



**P70364**

## INSTALLATION INSTRUCTIONS

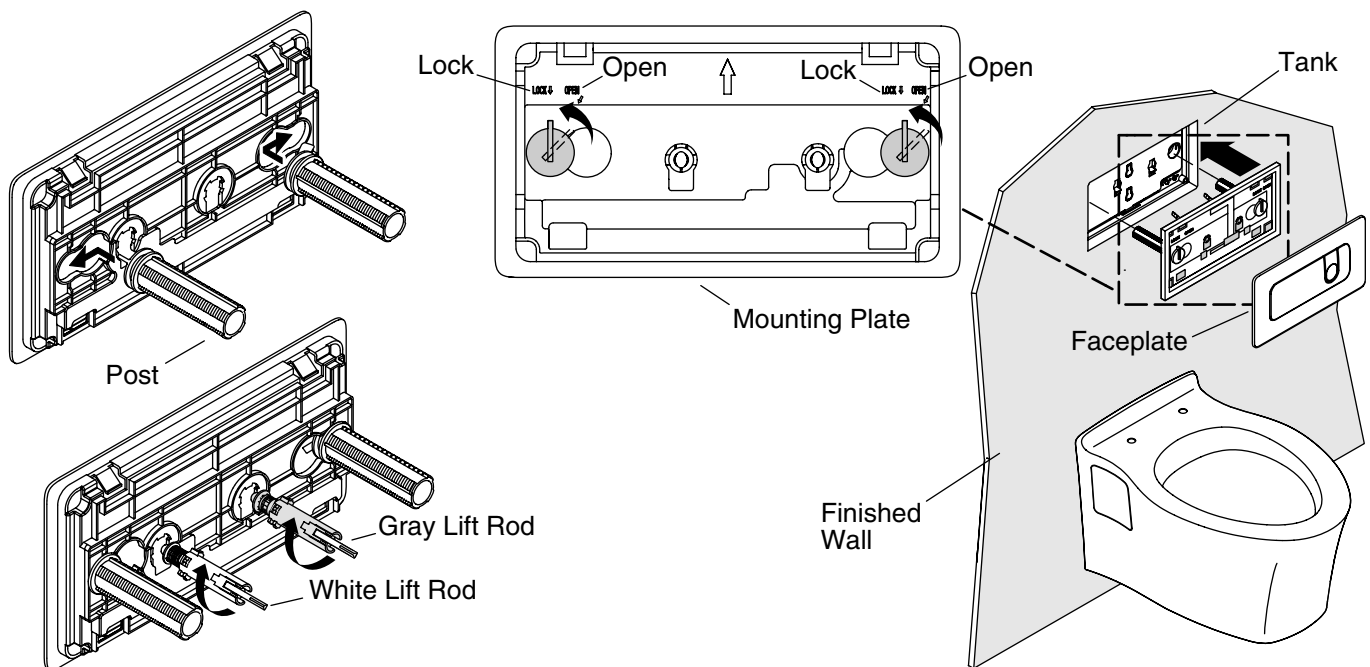
### THANK YOU FOR CHOOSING KALLISTA

We appreciate your commitment to KALLISTA quality products. Please take a moment to review this manual before you install your KALLISTA product. If you encounter any installation or performance problems, please do not hesitate to contact us at the phone number listed at the bottom of the page.

### BEFORE YOU BEGIN

- ❑ KALLISTA reserves the right to make revisions in the design of products without notice, as specified in the price book.

### INSTALL THE ACTUATOR



- ❑ On the back of the mounting plate, install the two threaded posts.
- ❑ Install the gray lift rod (gray body) into the right side of the mounting plate.
- ❑ Install the white lift rod (white body) into the left side of the mounting plate.
- ❑ Turn the locking tabs to the “**Open**” position.
- ❑ Install the mounting plate to the tank.
- ❑ Turn the locking tabs to the “**Lock**” position.
- ❑ Position the faceplate over the lift rod assembly and press into place.