

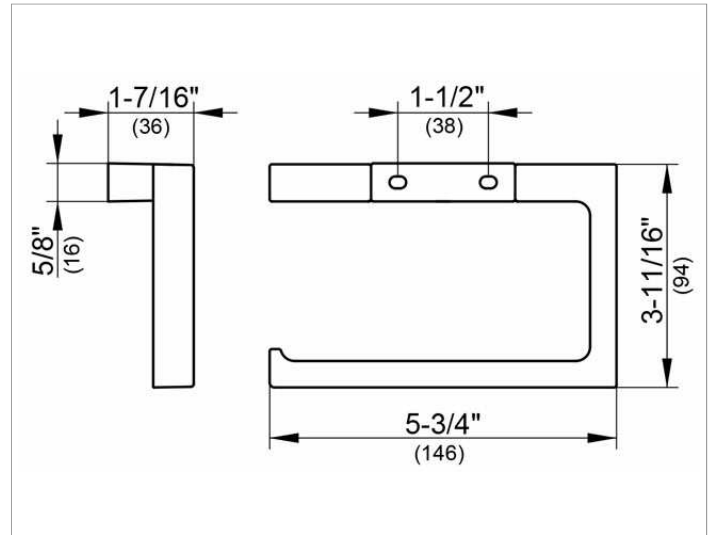
Edition 11

11162050000 Toilet paper holder

**PRODUCT**



**DRAWING**



**PRODUCT ATTRIBUTES**

open form  
for 3-15/16 / 4-3/4 inch wide paper rolls

**SURFACE**

brushed nickel

**SPECIFICATIONS**

KEUCO EDITION 11 toilet paper holder 11162050000  
chromed toilet paper holder in a clear-cut design and geometric shapes,  
easy to clean, wall-mount  
open design  
for rolls up to 4-3/4"  
Width 5-3/4", height 3-11/16", overhang 1-7/16"  
delivery with corrosion resistant mounting hardware

**Warranty:** KEUCO products are covered by a 5-year manufacturer's warranty, in effect from the date of purchase. During this time, proven product defects will be remedied free of charge. Warranty claims must be filed in writing, including a detailed description of the defect immediately after a defect has occurred. For a copy of our detailed product warranty policy, please contact us at [office-usa@keuco.com](mailto:office-usa@keuco.com).

**Installation:** KEUCO products must be installed by a qualified professional in accordance with the respective installation guidelines and any applicable federal / local building codes and regulations.