



**FREE STANDING
DOUBLE TOWEL RAIL
KFS-FL-SP-DTR**

PRODUCT NAME: FLORENCE FREE STANDING
DOUBLE TOWEL RAIL

PRODUCT CODE: KFS-FL-SP-DTR

MATERIAL: All-brass construction

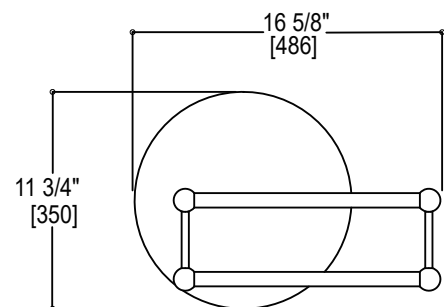
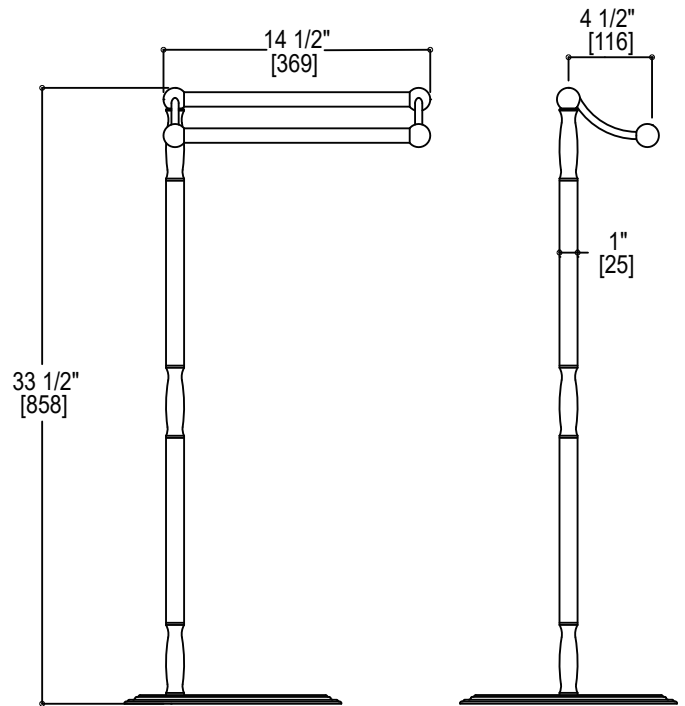
**STOCKED
FINISHES:**

- Polished Chrome (99)
- Brushed Nickel (81)
- Polished Nickel (68)
- Matte Black (48)

**SPECIAL
FINISHES
AVAILABLE:** 26 options available.
Please see our website for
full list samples

WARRANTY:

Lifetime Limited (Residential Use)
One Year (Commercial Use)



NOTE: Dimensions and specifications are subject to change without notice.