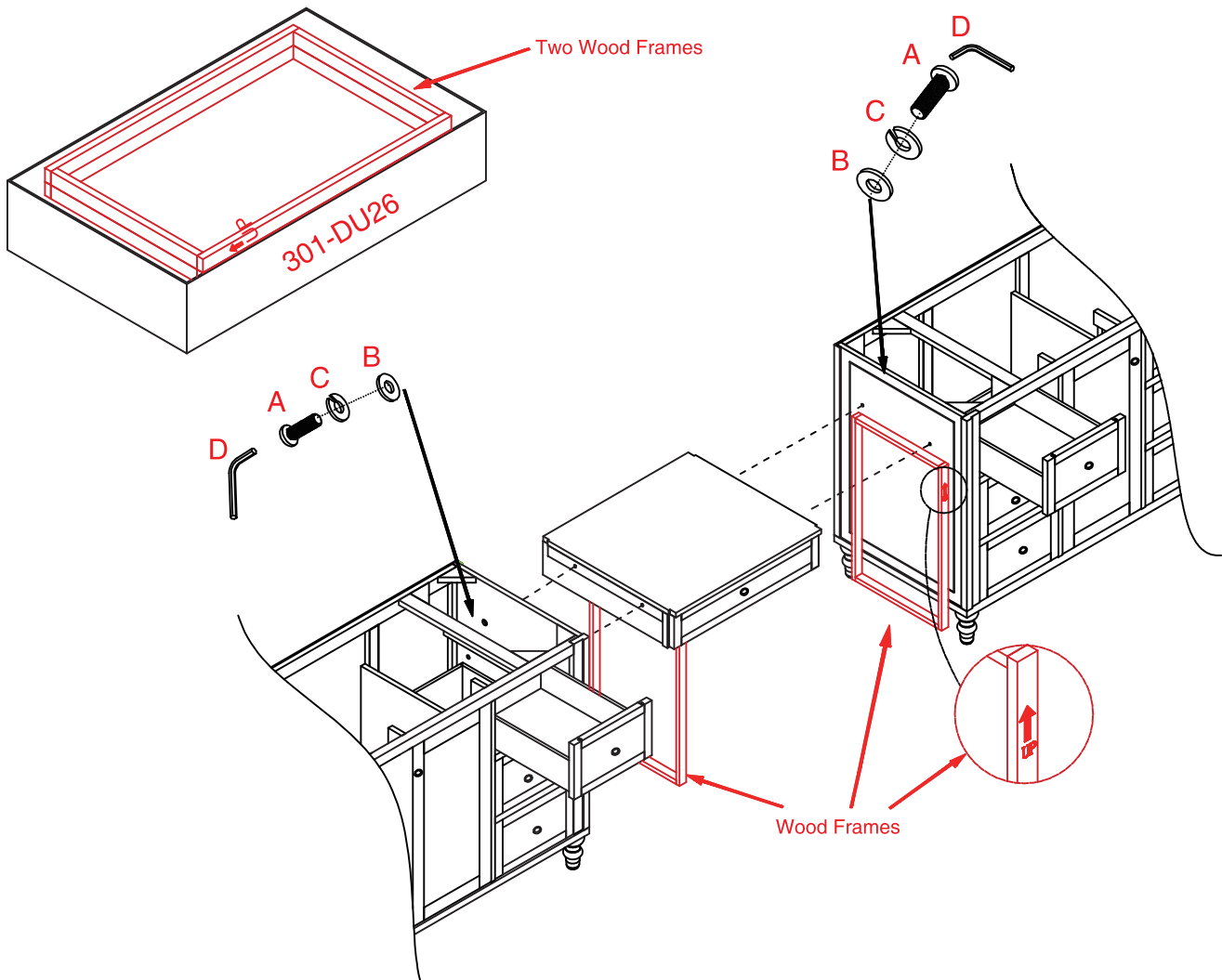




Copper Cove Encore Optional Makeup Counter 301-DU26 Assembly instructions.
Same instructions for use with: 301-V30 / 301-V48 / 301-V72



IMPORTANT: James Martin recommends a minimum of two people for the assembly of all 301 Copper Cove Cabinets with makeup drawer. You will need a tape measure for this assembly.

Step 1a: Locate the two rectangular wood frames included inside the carton. The frames are used to support the makeup drawer during assembly and make the installation process easier.

Step 2a: Place one of the cabinets in its final position in your bathroom. Place the second cabinet approximately 27-28 inches away from the side of the first cabinet.

This location allows space for the makeup counter plus a few extra inches needed to correctly position and attach the drawer.

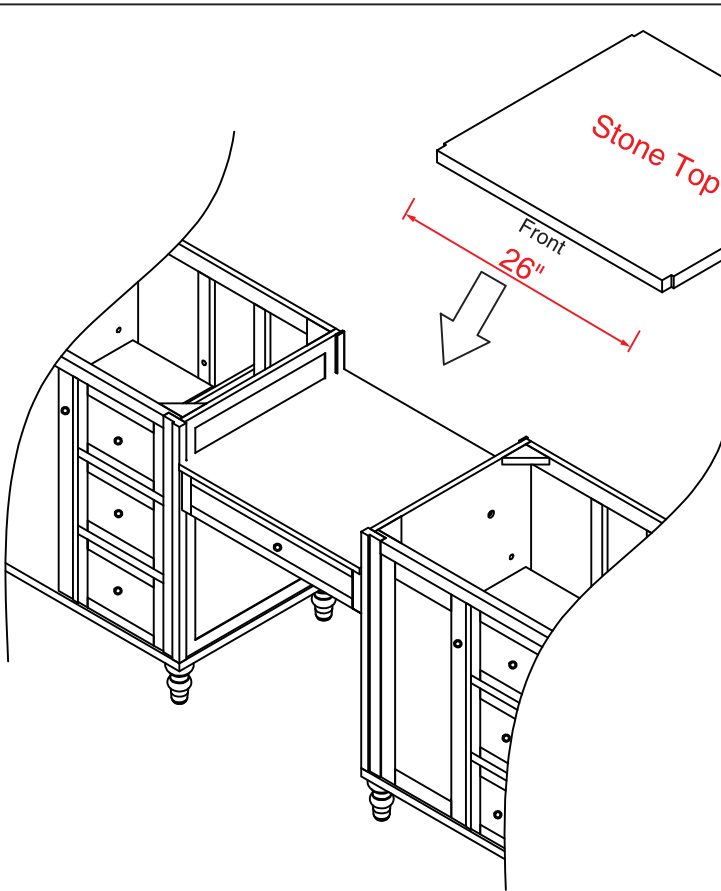
Step 3a: Remove any vanity cabinet drawers near the pre-drilled holes for easier access to attach the makeup drawer. Also remove the drawer from the makeup counter for access to the pre-drilled holes.

Step 4a: Place the two Rectangular Wood Frames (E) against the sides of the vanity cabinets to support the makeup counter during assembly. Insert the bolt through the Flat Washer (B) and the Spring Washer (C) through the vanity cabinet and into the pre-drilled holes on the sides of the makeup counter. (Refer to diagram above). The Allen wrench needed to tighten the bolts is included in the specially marked hardware bag.

NOTE! Only attach one side of the makeup counter at this time. The countertop can not be attached if the makeup drawer is tightly attached on both sides.



Copper Cove Encore Optional Makeup Counter 301-DU26 Assembly instructions.
Same instructions for use with: 301-V30 / 301-V48 / 301-V72



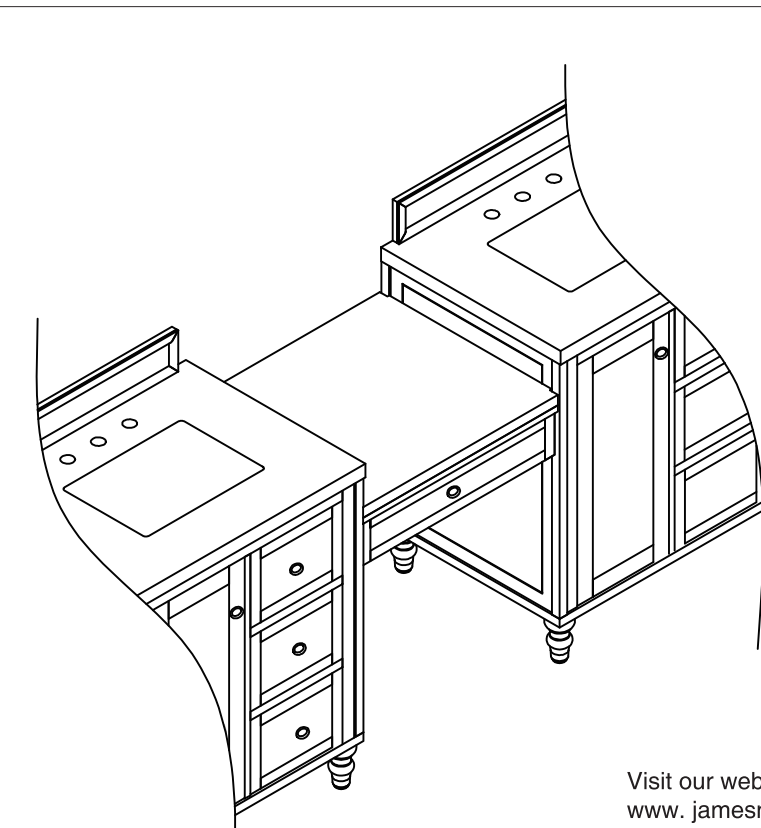
IMPORTANT: James Martin recommends a minimum of two people for the assembly of all 301 Copper Cove cabinets with makeup drawer. You will need a tape measure for this assembly.





Step 5a: After the Makeup Drawer has been attached securely to one of the vanity cabinets, then you may attach the countertop. Be sure to leave both Rectangular Wood Frames (E) in position while you attach the countertop.

Step 6a: After the countertop has been correctly positioned and applied to the top of the makeup drawer, then you may place the second vanity cabinet directly against the unattached side of the makeup drawer.

Step 7a: Insert the bolts through the Flat Washers (B) and the Spring Washers (C) through the vanity cabinet and into the pre-drilled holes on the sides of the makeup counter.

Step 8a: Tighten the bolts using the included Allen wrench.

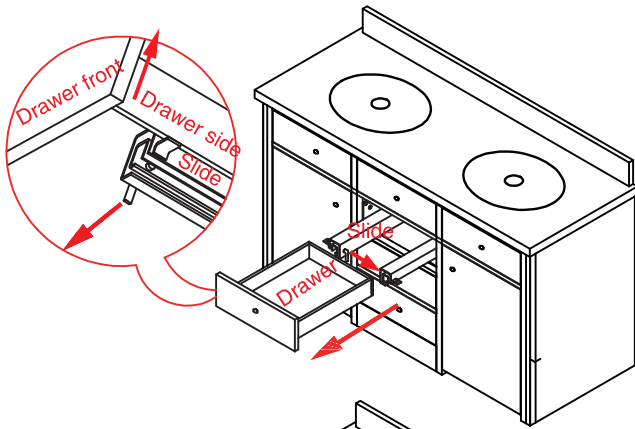


A =4pcs	Ø1/4*1-1/2	
B =4pcs	Ø16	
C =4pcs	Ø1/4	
D =1pc	Ø4	

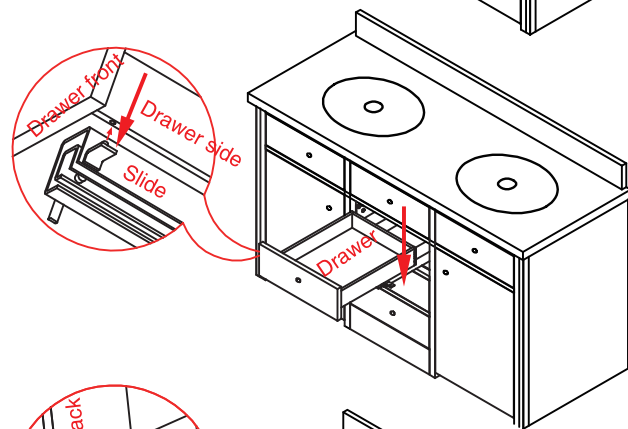
Visit our website for a video showing the makeup counter installation.
www.jamesmartinvanities.com
 Knowledge Base / Solutions / Installation and Assembly



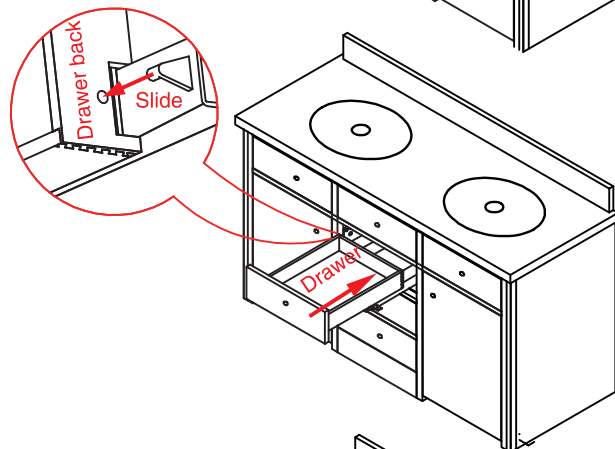
Drawer assembly and removal (with peg)



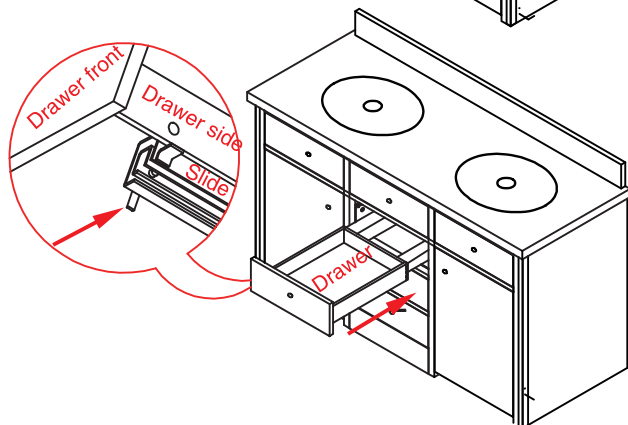
1. For removal, pull out the locking pin from the drawer side. Lift the drawer and pull it out from the cabinet.



2. For the assembly of drawer, pull out the drawer member of the slide from the cabinet, lay the drawer onto the slide.



3. Align drawer back board hole and slide the hook of slide end, push the hook will slide into the hole.



4. Press the locking pin into the drawer side hole to lock the position of the drawer.

Visit our website for a video showing drawer removal and installation.
www.jamesmartinvanities.com
 Knowledge Base / Solutions / Installation and Assembly