

PVC SYSTEMS INCLUDE:

- 4 Fully directional adjustable PVC jets
- 2 Jumbo Rotating adjustable flow PVC jets
- 2 Jumbo Rotating Jets
- Anti-vortex safety suction
- Color matched system trim
- HydroOzone ozone sanitation system
- Rigid PVC piping
- Self draining pump and system
- Soft Touch electronic on/off control with 30-minute integral times
- 2.25 HP single speed pump
- Cable waste and overflow



Colonial Grab Bar



Linear Integral Waste and Overflow



Chromatherapy-LED Lighting System

OPTIONS: ([MORE INFORMATION AVAILABLE ON OUR WEBSITE](#))

- Additional Jets
 - Directional or Swirling
- Back Masseur Systems
- Chromotherapy-LED Lighting System
- Custom Jet and Pump Location
- Electronic Low Water Protection
- Extra High Density
- Grab Bars
 - Colonial or Universal
- Hydro Coat
- Hydro Express Quick Ship
- Hydro Fusion
- Hydro Indulge
- HydroOzone UV System
- In-line Heater
- Integral Waste and Overflow
 - Circular or Linear
- Jumbo Jets
 - Directional or Rotating
- Masseur Pillow
- Micro Mount
- Micro Therapy Jets
- Tile Flanges

STANDARD ELECTRICAL REQUIREMENTS:

- Whirlpool System | One 20 Amp Dedicated Circuit
- Thermal Air System | One 15 Amp Dedicated Circuit
- Combo System | One 15 Amp Dedicated Circuit and One 20 Amp Dedicated Circuit
- Indulge System | One 15 Amp Dedicated Circuit
- Hydro Fusion (600 or 1500 Watts) | One 15 Amp Dedicated Circuit
- In-line Heater (600 or 1500 Watts) | One 15 Amp Dedicated Circuit

All electrical components come standard at 115 volts

As SHOWN:

Soaking Tub Only

FEATURES SHOWN:

- Overflow location

ALSO AVAILABLE:

- Whirlpool System
- Thermal Air
- Combo

SIZE:

70.36.22

BACKSLOPE:

23 degrees

WATER CAPACITY:

100 Gallons

WEIGHT:

146 - 186 pounds depending upon system

DROP-IN INSTALLATION DIMENSIONS:

- (L)ength- 68"
- (W)idth- 34"
- (H)eight- 21-3/4"

(when adding integral linear option)

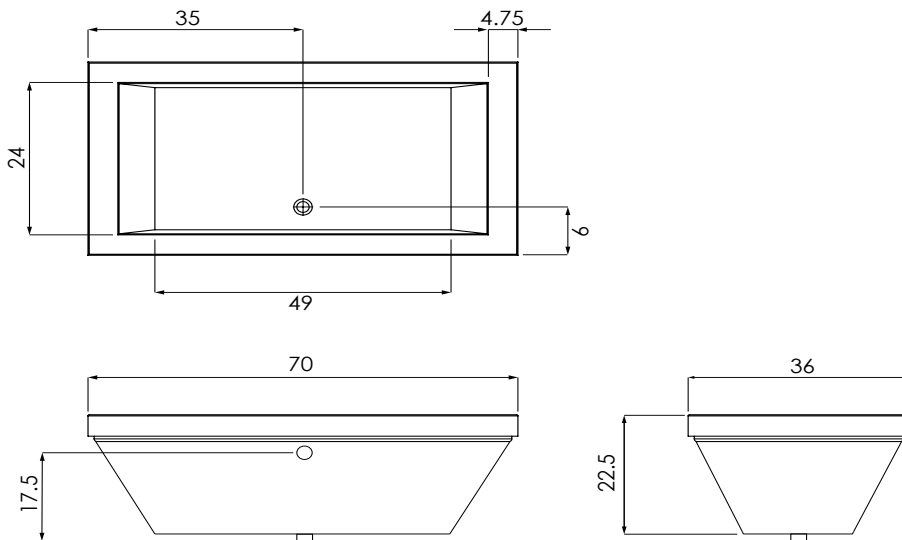
- add 1" to overall height of tub
- add 1" to ledger height
- p-trap location now below waste



Tub must be set in mortar base

ACRYLIC TUB

- Acrylic models finished in 1/8" thick layer of deep lustrous acrylic
- Pre-wired pump on pump platform (standard pump location only)
- Integral E-Z level platform facilitates installation
- Micro mount reduces standard edge height of tub to minus (-) 3/8 to 5/8"
- Micro mount requires increase in framing height by approximately 1-1/4"



CODES AND COMPLIANCES

Massachusetts code File no: P1-0614-491

