

# CHEYENNE 6636

DESIGNER COLLECTION

# H | S

**TUB INCLUDES:**

- Integral waste and overflow
- Concealed drain



Standard Grab Bar



Linear Integral Waste and Overflow



Chromotherapy-LED Lighting System

**OPTIONS:** ([MORE INFORMATION AVAILABLE ON OUR WEBSITE](#))

- Chromotherapy-LED Lighting System
- Extra High Density
- Grab Bars
  - Standard or Universal
- Hydro Blanket
- Hydro Coat
- Hydro Express Quick Ship
- Island Tub Drain
- Integral Waste and Overflow
  - Linear
- Molded Armrests
- Padded Headrest Pillow

**STANDARD ELECTRICAL REQUIREMENTS:**

- Thermal Air System | One 15 Amp Dedicated Circuit

*\*All electrical components come standard at 115 volts\**

*\*All electrical circuits must be GFCI protected\**

# CHEYENNE 6636

# H|S

DESIGNER COLLECTION

**As SHOWN:**

Tub Only

**FEATURES SHOWN:**

- Drain location

**ALSO AVAILABLE:**

- Soaking tub only
- Thermal Air

**Size:**

66.36.20

**WATER CAPACITY:**

75 Gallons

**WEIGHT:**

110 -130 Pounds

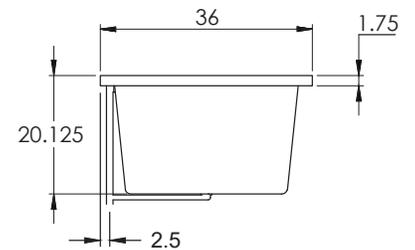
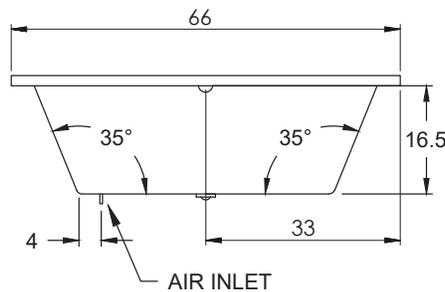
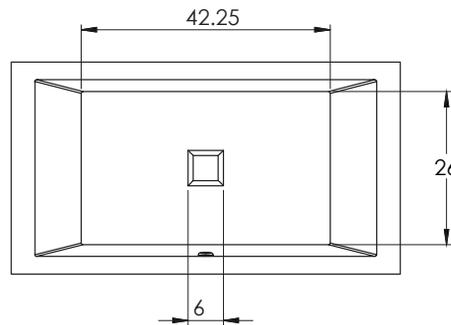
**MODEL 6636 DIMENSIONS:**

- (L)ength- 66"
- (W)idth- 36"
- (H)eight Finish- 20"



**ACRYLIC TUB**

- Acrylic models finished in 1/8" thick layer of deep lustrous acrylic
- Extra thick reinforced fiberglass
- Integral E-Z level platform facilitates installation
- Integral waste and overflow



**CODES AND COMPLIANCES**

Massachusetts code File no: P1-0614-491



**HYDRO SYSTEMS**  
Family Owned And Operated Since 1978

29132 Avenue Paine. Valencia, CA, 91355  
661.775.0686 | hydrosystem.com

All specifications and options subject to change without notice please contact a Hydro Systems representative for more information. Certain options or altering the pump/blower location may cause the pump/blower to extend beyond the tub decking. For cutout dimensions wait for unit to arrive. All specifications subject to change without notice.