

GEBERIT INSTALLATION SYSTEM

For 1.6/0.8 GPF (6/3 LPF) and 1.28/0.8 GPF (4.8/3 LPF) Wall-Hung Toilets, 2x6 Installations

PRODUCT SPECIFICATIONS

In-Wall Duofix carrier system and Sigma concealed tank with actuator flush panel or pneumatic push button for washdown wall-hung toilets. System shall fit within minimum 5½" (146 mm) framing wall or plumbing chase, with wood construction or steel framing members placed 19¾" (500 mm) apart. Framing members should be capable of supporting a 880 pound (400 kg) load without damage to the wall. Water supply shall have flow diameter no smaller than 1/2" (13 mm) copper tube, and a minimum flow pressure of 2 PSI (0.01 MPa). The toilet bowl shall be a third party listed, 2-hole wall-hung 1.6 GPF (6 LPF) or 1.28 GPF (4.8 LPF) single-flush, 1.6/0.8 GPF (6/3 LPF) or 1.28/0.8 GPF (4.8/3 LPF) dual-flush. The carrier frame shall be adjustable for bowl rim heights from 15" to 19" (381 to 483 mm). Actuator flush panels shall be diecast zinc, molded plastic or fabricated stainless steel and plated to preserve material integrity. All components shall be compliant with applicable codes and product standards.

FEATURES

- Water consumption – Dual-flush system, 1.6/0.8 GPF (6/3 LPF) or 1.28/0.8 GPF (4.8/3 LPF)
- Anti-siphon fill valve
- Impact resistant high density polyethylene (HDPE) tank, insulated to prevent condensation
- 16-gauge, powder-coated, structural-steel tubing rated to 880 lbs. (400 kg) without damage to finished wall or carrier unit
- Bowl rim height adjustments from 15" to 19" (381 to 483 mm)
- 49" (1245 mm) frame height
- For finished walls up to 3½" (9cm) thick
- For use with Geberit Sigma actuator plates (not included)
- Includes installation and rough-in materials

Complies with the latest editions of:

- ASME: A112.6.2, A112.19.5, A112.19.14
- ANSI Z124.4
- CSA B125.3
- ANSI/ASSE 1002
- IAPMO PS-50
- UNAR / UNAR-HET
- ASME A112.19.2
- This concealed tank is WaterSense® listed or compliant when used in combination with the toilet bowl models listed on page 3 of this DOCUMENT
- State of Massachusetts listed

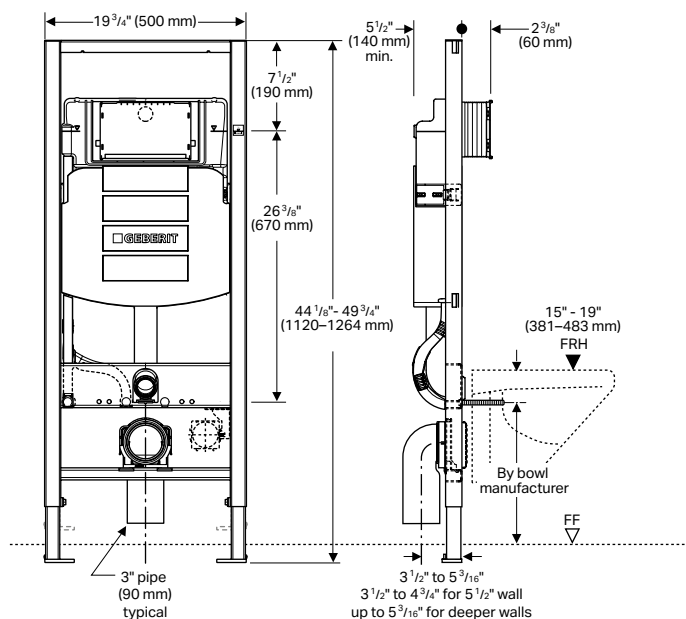
WARRANTY

- Limited lifetime warranty on tank and carrier, 10-year warranty on fill valve and flush valve. One-year warranty on actuator flush plates

Products marked with comply with the American Disabilities Act (ADA) when installed per the requirements of the latest ADA Accessibility Guidelines (ADAAG) and/or ICC/ANSI A117.1.

Where water closet grab bars are required and corresponding reinforcement provided as outlined in the latest NYC Building Code and Federal FHA Guidelines, the installed product complies both for grab bars installed at the time of initial construction as well as for grab bars planned for future installation.

Model No.	Description	
111.335.00.5	Carrier frame with 1.60/0.8 GPF Sigma Concealed Tank	
111.902.00.5	Carrier frame with 1.28/0.8 GPF Sigma Concealed Tank	



ARCHITECT/ENGINEER APPROVAL

Job Name: _____

Date: _____ Quantity: _____

Model Specified: _____

Variations Specified: _____

Customer/Wholesaler: _____

Contractor: _____

Architect: _____

GEBERIT INSTALLATION SYSTEM

For 1.6/0.8 GPF (6/3 LPF) and 1.28/0.8 GPF (4.8/3 LPF) Wall-Hung Toilets, 2x6 Installations

COMPATIBLE 1.6/0.8 GPF (6/3 LPF) WALL-HUNG TOILET BOWL MODELS

Brand Name	Model Number*	Model Name	Brand Name	Model Number*	Model Name	Brand Name	Model Number*	Model Name
Blu Bathworks	LW6008	Coco	Duravit (continued)	255059	Happy D.2	Laufen (continued)	820969	Laufen Pro
	LW6020	Metrix		252909***	ME by Starck		820956	Laufen Pro
	LW6030	Coco		252959	ME by Starck		820952	Laufen Pro Compact
	LW6030A	Coco		253009***	ME by Starck		820962	Laufen Pro S
Devon & Devon	IBWCSBLUES	Blues	256109***	P3 Comforts	820963**	Laufen Pro S		
	IBWCSET	Etoile	256159***	P3 Corniforts	820680	LB3		
	2IBWCBSSET	Etoile	221909	PuraVida	820688**	LB3		
	IBWCSET	New Etoile	021009	Starck 1	820435***	Living		
	2IBWCBSSET	New Etoile	016009	Starck 2	820439***	Living		
	IBWCSRO	Rose	253309	Starck 2	820550	Mimo		
Duravit	018209	1930 Series	253359	Starck 2	820946	Mylife		
	220509	2nd Floor	253409	Starck 2	820948	Mylife		
	222009	2nd Floor	220009	Starck 3	820708	Palace		
	017509	Bathroom_Foster	220109	Starck 3	820801	Palomba		
	015609	Caro	222509	Starck 3	820808	Palomba		
	019809	Caro	220209	Starck 3 compact	Neo-Metro	8951	Euro-Urban Contour	
	019849	Caro	222709	Starck 3 compact		8957	Metaal	
	221109	D-Code	252709	Starck 3		8952	miniLoo	
	253509***	D-Code	222609	Starck 3	ROCA	346768	Armani	
	220909	D-Code	222659	Starck 3		346518	Dama Senso	
	222309	D-Code	220309	Starck 3 extra long		346468	Giralda	
	257009***	D-Code	220609	Starck 3		346628	Hall	
	020709	Darling	221509	Starck 3		346568	Happening	
	254509	Darling New	220409	Starck X	TOTO	CT418FG	Aquia	
	255709	Darling New	221709	Vero		CT486FG	Maris	
	254409***	Darling New	252509***	Vero Air	Tynan Plumbing	7531.XX	Aine	
	254459	Darling New	DXV	47010-11		7532.XX	Fionn	
	256309***	Darling New	Icera	C-6610	Clarity	Villeroy & Boch	6612-YY-XX	Aveo
	256359	Darling New		C-2340	Metro Loft		4684-YY-XX	Architectura
	253609	DuraStyle		C-2370	Piano		4688-UR-XX**	Architectura
	253709***	DuraStyle	Kallista	P70361-00	Pléo		5864-YY-XX	Architectura
	253809	DuraStyle		Kohler	K-6299		Veil	5664-YY-XX
	253909***	DuraStyle	K-6300		Veil for Bidet Seat	6653-YY-XX	Century	
	254009	DuraStyle	Lacava	5458	Aquagrande	6665-YY-XX	Editorials	
	254109	DuraStyle		5051WC	Giulia	6661-10-XX	Hommage	
	253759***	DuraStyle		4278	Piazza	5627-YY-XX	La Belle	
	254209	DuraStyle		6058	Suave	7631-YY-XX	Magnum	
	254259	DuraStyle	Laufen	2958	Tre	5628-YY-XX	Memento	
	255109	DuraStyle		820900	Alessi dOt	6664-YY-XX	Oblic	
	255209	DuraStyle		820908	Alessi dOt	5684-YY-XX	Omnia Architectura	
255909	DuraStyle	820976		Alessi One	5674-YY-XX	Omnia Architectura		
256209***	DuraStyle Basic	820978	Alessi One	5678-YY-XX	Omnia Architectura Vita			
257109***	DuraStyle	820671	Form	5670-YY-XX	Pure Stone			
255409	Esplanade	820661**	Hi Jet	5622-YY-XX	Sentique			
017109	Happy D	820338**	Kartell	6661-YY-XX	Strada			
222109***	Happy D.2	820336	Kartell	4609-UR-XX**	Subway			
222209	Happy D.2	820331	Kartell	6600-YY-XX	Subway			
255009	Happy D.2	820950***	Laufen Pro	5600-YY-XX	Subway 2.0			
					5614-XX	Subway		

COMPATIBLE 1.28/0.8 GPF (4.8/3 LPF) WALL-HUNG TOILET BOWL MODELS

Brand Name	Model Number*	Model Name
TOTO	CT437FG**	MH
	CT437FGT20**	MH Connect+
	CT447CFG	RP

- * Consult toilet manufacturers for up-to-date model numbers and availability.
- ** Meets 600 grams MaP performance score.
- *** Meets 800 grams MaP performance score.

GEBERIT INSTALLATION SYSTEM

For 1.6/0.8 GPF (6/3 LPF) and 1.28/0.8 GPF (4.8/3 LPF) Wall-Hung Toilets, 2x6 Installations

WATERSENSE LISTED EPA HIGH EFFICIENCY COMPATIBLE 1.6/0.8 GPF (6/3 LPF) WALL-HUNG TOILET BOWL MODELS



Brand Name	Model Number*	Model Name	Brand Name	Model Number*	Model Name	Brand Name	Model Number*	Model Name
Duravit	220509	2nd Floor	Duravit	016009	Starck 2	Laufen	820680	LB3
	222009	2nd Floor	(continued)	253309	Starck 2	(continued)	820435***	Living City
	017509	Bathroom_Foster		253359	Starck 2		820550	Mimo
	015609	Caro		253409	Starck 2		820946	Mylife
	220909	D-Code		220009	Starck 3		820948	Mylife
	253509***	D-Code		222509	Starck 3		820708	Palace
	020709	Darling		222609	Starck 3		820801	Palomba
	254409**	Darling New		222659	Starck 3	TOTO	CT418FG	Aquia
	254459	Darling New		252709	Starck 3		CT486FG	Maris
	254509	Darling New		220209	Starck 3 compact	Tynan Plumbing	7531.XX	Aine
	255709	Darling New		222709	Starck 3 compact		7532.XX	Fionn
	253609	DuraStyle		220309	Starck 3 extra long	Villeroy & Boch	4688-UR-XX**	Architectura
	253709**	DuraStyle		220409	Starck X		5864-YY-XX	Architectura
	253809	DuraStyle		221709	Vero		6612-YY-XX	Aveo
	254209	DuraStyle	DXV	47010-11	Seagram		5664-YY-XX	Bellevue
	254259	DuraStyle	Kohler	K-6299	Veil		6653-YY-XX	Century
	255109	DuraStyle		K-6300	Veil		6661-YY-XX	Homage
	256209***	DuraStyle Basic	Lacava	5051WC	Giulia		5627-YY-XX	La Belle
	255409	Esplanade	Laufen	820900	Alessi dOt		5628-YY-XX	Memento
	017109	Happy D		820908	Alessi dOt		6664-YY-XX	Oblic
	222109***	Happy D.2		820976	Alessi One		5674-YY-XX	Omnia Architectura
	222209	Happy D.2		820978	Alessi One		5678-YY-XX	Omnia Architectura Vita
	255009	Happy D.2		820661**	HiJet		5670-YY-XX	Pure Stone
	255059	Happy D.2		820338**	Kartell		5622-YY-XX	Sentique
	252909***	ME by Starck		820950***	Laufen Pro		4609-UR-XX**	Subway
	253009***	ME by Starck		820952	Laufen Pro		5614-XX	Subway
	256109***	P3 Comforts		820956	Laufen Pro		6600-YY-XX	Subway
	256159	P3 Comforts		820969	Laufen Pro		5600-YY-XX	Subway 2.0
	221909	PuraVida		820963**	Laufen Pro S			
	021009	Starck 1		820969	Laufen Pro S			

WATERSENSE LISTED EPA HIGH EFFICIENCY COMPATIBLE 1.28/0.8 GPF (4.8/3 LPF) WALL-HUNG TOILET BOWL MODELS



Brand Name	Model Number*	Model Name
TOTO	CT437FG**	MH
	CT437FGT20**	MH Connect+
	CT447CFG	RP

- * Consult toilet manufacturers for up-to-date model numbers and availability.
- ** Meets 600 grams MaP performance score.
- *** Meets 800 grams MaP performance score.

Geberit
2100 S. Clearwater Drive
Des Plaines, IL 60018
USA

P 847-803-7777
F 847-849-1845

www.geberit.us