

KE Sink Copper 30" x 18" – U/M - 2157 868



Sinks

Code: 2157 868

PVD Copper
AISI 304 Stainless steel
Satin finish
Undermount



DETAILS

Series	KE
Coloring	Copper
Finish	PVD
Material	AISI 304 stainless steel
Texture	Satin
Edge/Installation Type	Undermount
Thickness	18 Gauge (1.2 mm)
Overall dimensions	29 ¹⁷ / ₃₂ " x 19 ²¹ / ₆₄ "

Bowls dimensions 1 bowl 27^{61/64}" x 15^{3/4}"

Bowls depth 7^{43/64}"

Cut out See technical sheet

Waste fitting type 3 1/2" - with stainless steel basket

Underside Protected with heavy duty undercoating

Fixing system Undermount fixing kit (brass insert and clips)

FEATURES

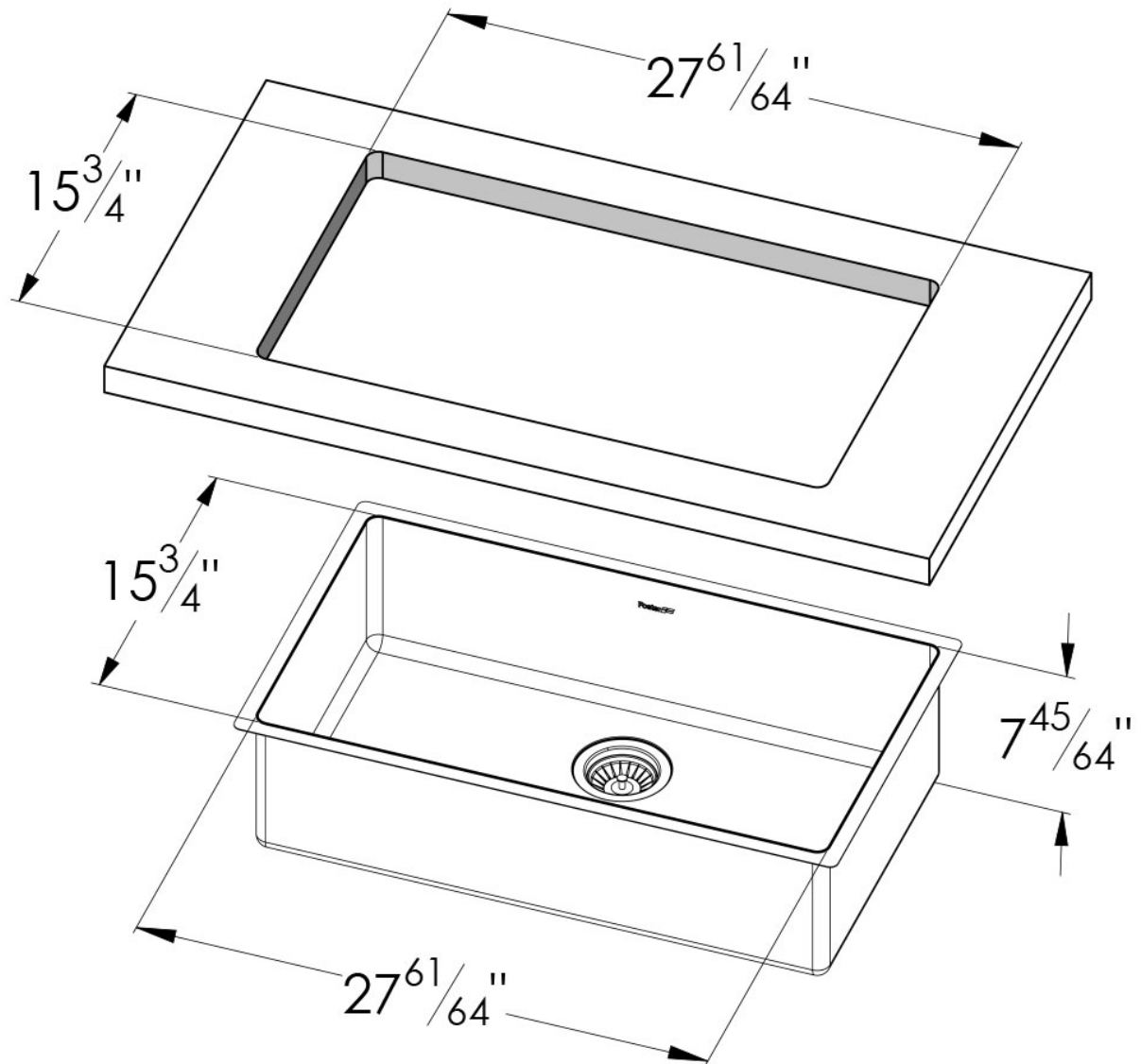
COPPER The Copper finish is obtained by treating steel with a physical process called PVD (Physical Vacuum Deposition) which deposits particles of noble metals on the surface. The result is a unique and refined aesthetic effect, and an improvement of the mechanical properties of the steel which is more resistant to impact and scratches.

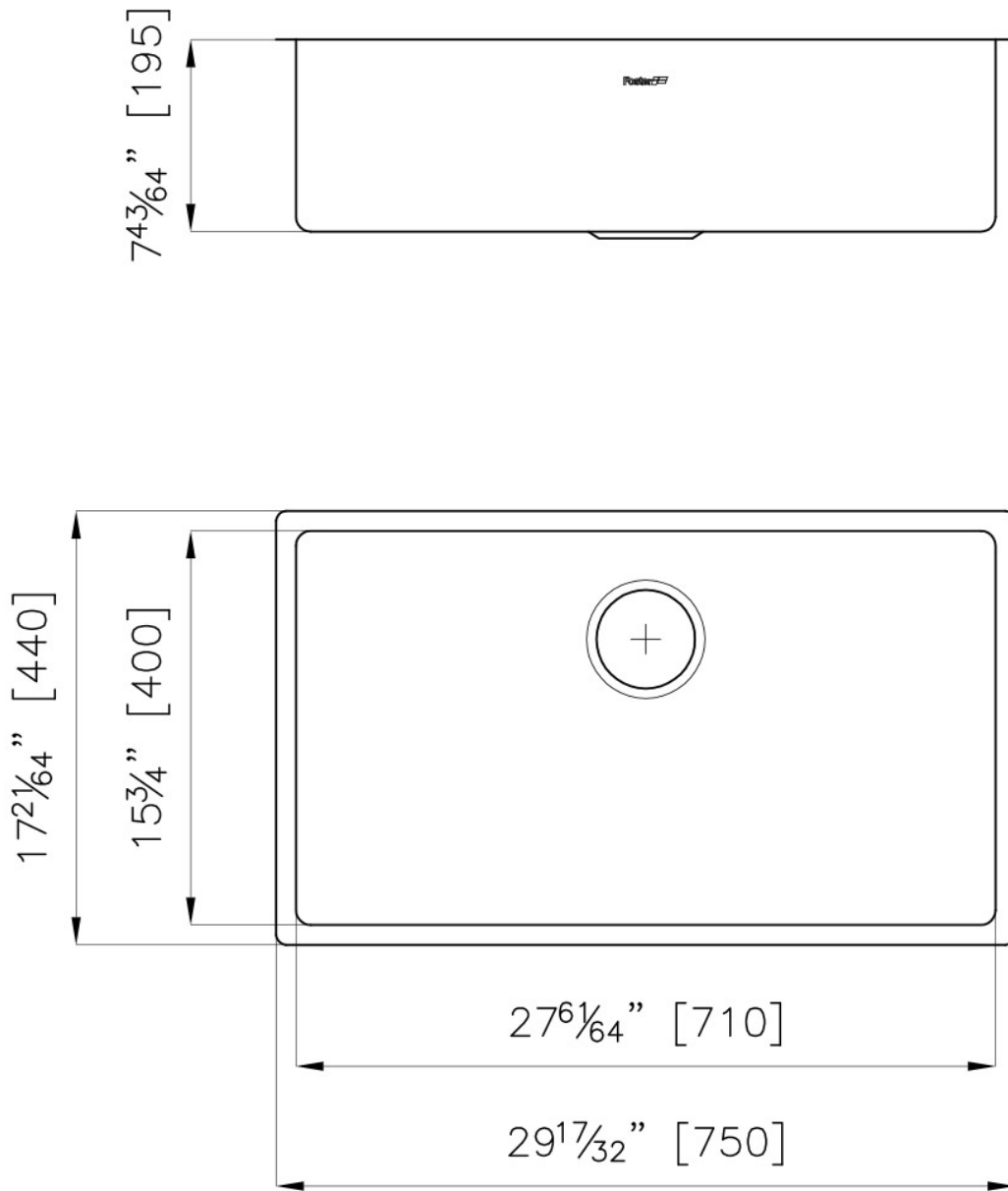
Basket 3,5" waste fitting The drain is equipped with a large 3.5" drain, with the practical basket cap that prevents the discharge of solid parts. The 3.5 "drain allows the use of the Foster waste-disposer, compatible with all models.

High thickness 1.5 mm thick steel. A significant thickness, which guarantees the maximum sturdiness and durability.

Small radius Bowls with squared shapes with a modern design and an increased capacity, for a minimal aesthetics connected with an extreme practicality.

TECHNICAL DATA





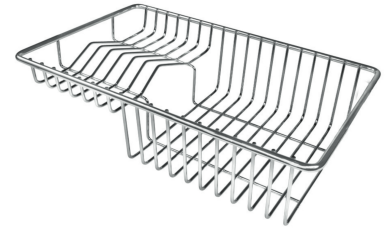
OPTIONAL ACCESSORIES



Chopping Board 8631 300



Grating kit complete with ring support and food collection tray 8159 101



Stainless Steel dishes holder 8100 303



Stainless steel perforated pan 8151 000



Twin Chopping Board - 8644 101



White bowl 8153 100

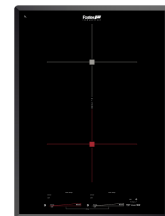
RECOMMENDED PAIRINGS



Faucet Capri Copper - 8467 805



Milano Cooktop Copper 4 burners inLine - 7640 908



Milano Induction Cooktop 2 Plate - 7323 945