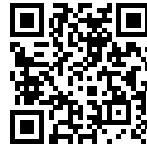


## KE Sink 30" x 18" – F/M

Kitchen Sinks

Code: 2157 063

AISI 304 Stainless steel  
Foster brushed  
Flush-mount



### DETAILS

Edge/Installation Type Flush-mount | Top-mount

Finish Foster brushed

**Series** KE

Texture Foster brushed

Material AISI 304 stainless steel

Thickness 18 Gauge (1.2 mm)

Overall dimensions 29 1/2" x 17 5/16"

Bowl dimension 1 bowl 27 15/16" x 15 3/4"

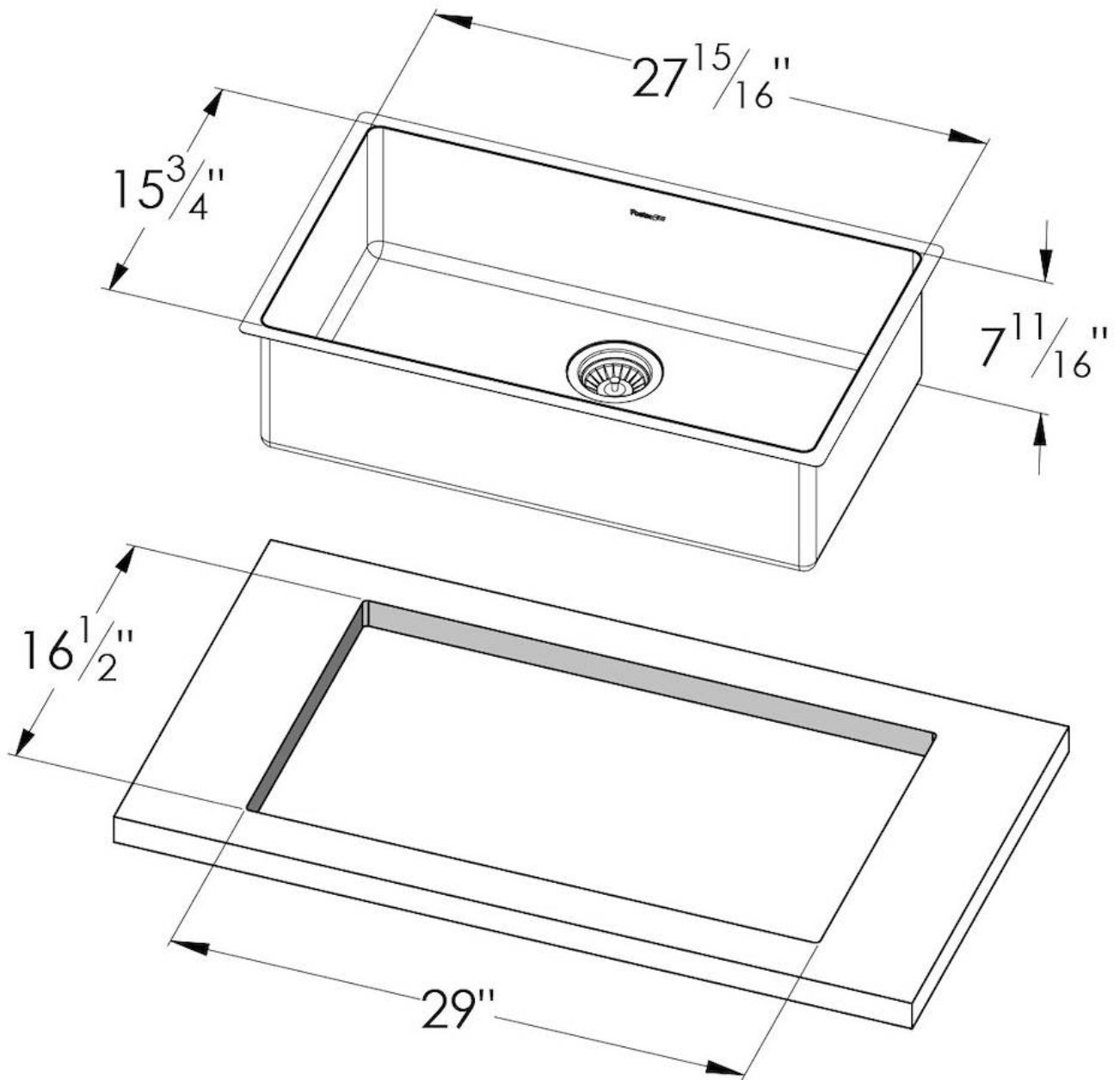
Bowls depht 7 11/16"

Flush-mount cut-out	See cut-out drawing
Overmount cut-out	29" x 16 1/2"
Waste fitting type	3 1/2" - with stainless steel basket
Underside	Protected with heavy duty undercoating

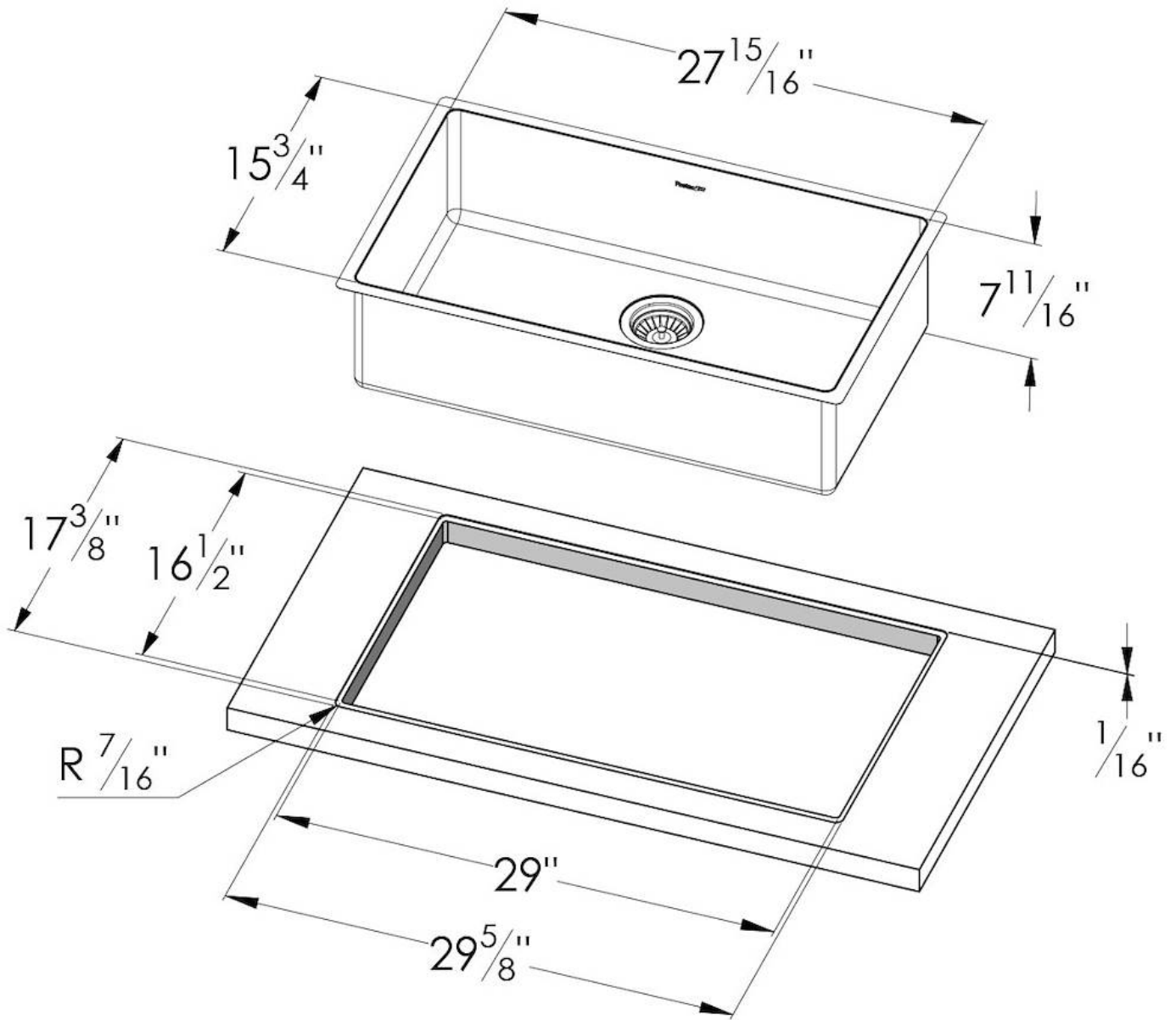
## FEATURES

Basket 3,5" waste fitting	The drain is equipped with a large 3.5" drain, with the practical basket cap that prevents the discharge of solid parts.
High thickness 1.2	1.2 mm thick steel. A significant thickness, which guarantees the maximum sturdiness and durability.
Small radius	Bowls with squared shapes with a modern design and an increased capacity, for a minimal aesthetics connected with an extreme practicality.

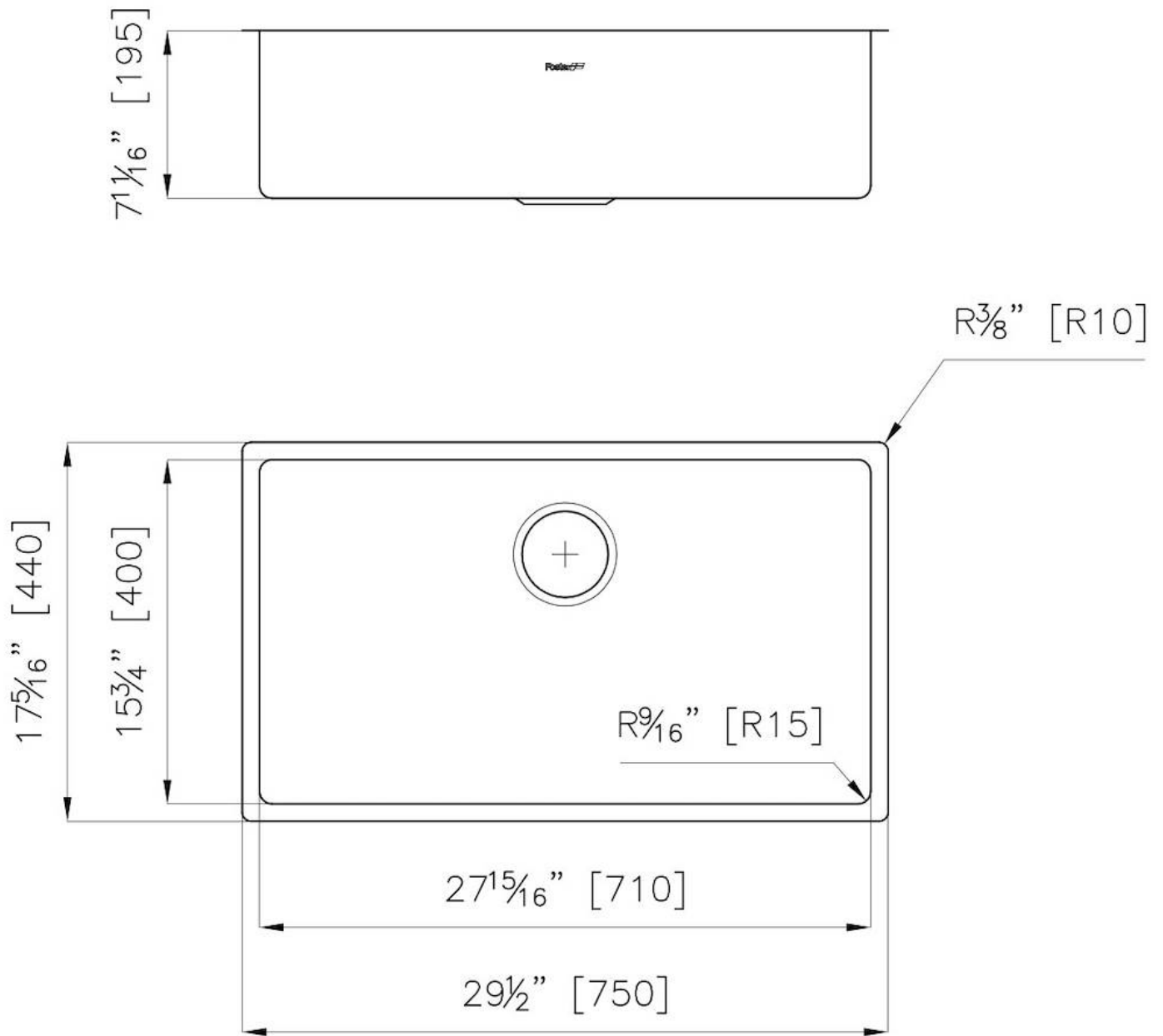
## TECHNICAL DATA



Installation on top of worktop - FTS



Flush-mount installation - FT



## GALLERY



## OPTIONAL ACCESSORIES



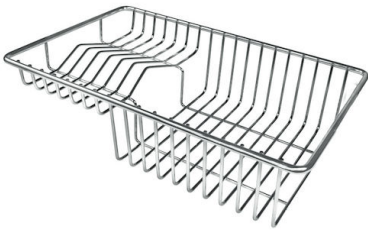
Chopping Board



Grating kit complete with ring support and food collection tray



Iroko-wood sliding chopping board with stainless steel colander



Stainless Steel dishes holder



Stainless steel perforated pan



Twin Chopping Board



Waste disposer throat

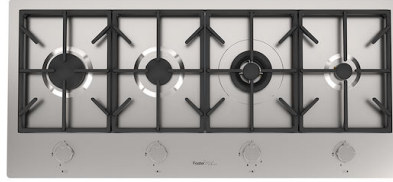


White bowl

## RECOMMENDED PAIRINGS



Faucet Ponza



Milano Cooktop 4 burners inLine



Milano Induction Cooktop 2 Plate