

Sink Happy Hour 1B 55" – UM - 1050 950

Sinks

Code: 1050 950

AISI 304 Stainless steel

Satin finish

Undermount

x cross bending for easy water draining



DETAILS

Finish Foster brushed

Series Happy Hour

Texture Satin

Edge/Installation Type Undermount

Material AISI 304 stainless steel

Thickness 16 Gauge (1.5 mm)

Overall dimensions 57" x 19 5/64"

Bowls dimensions 1 bowl 55" x 17 5/64"

Bowls depht	10 "
Cut out	55" x 18 ^{5/64} "
Waste fitting type	3 1/2" - with stainless steel basket

Bowls bottom X cross bending for easy water draining

Underside Protected with heavy duty undercoating

Fixing system Undermount fixing kit (brass insert and clips)

FEATURES

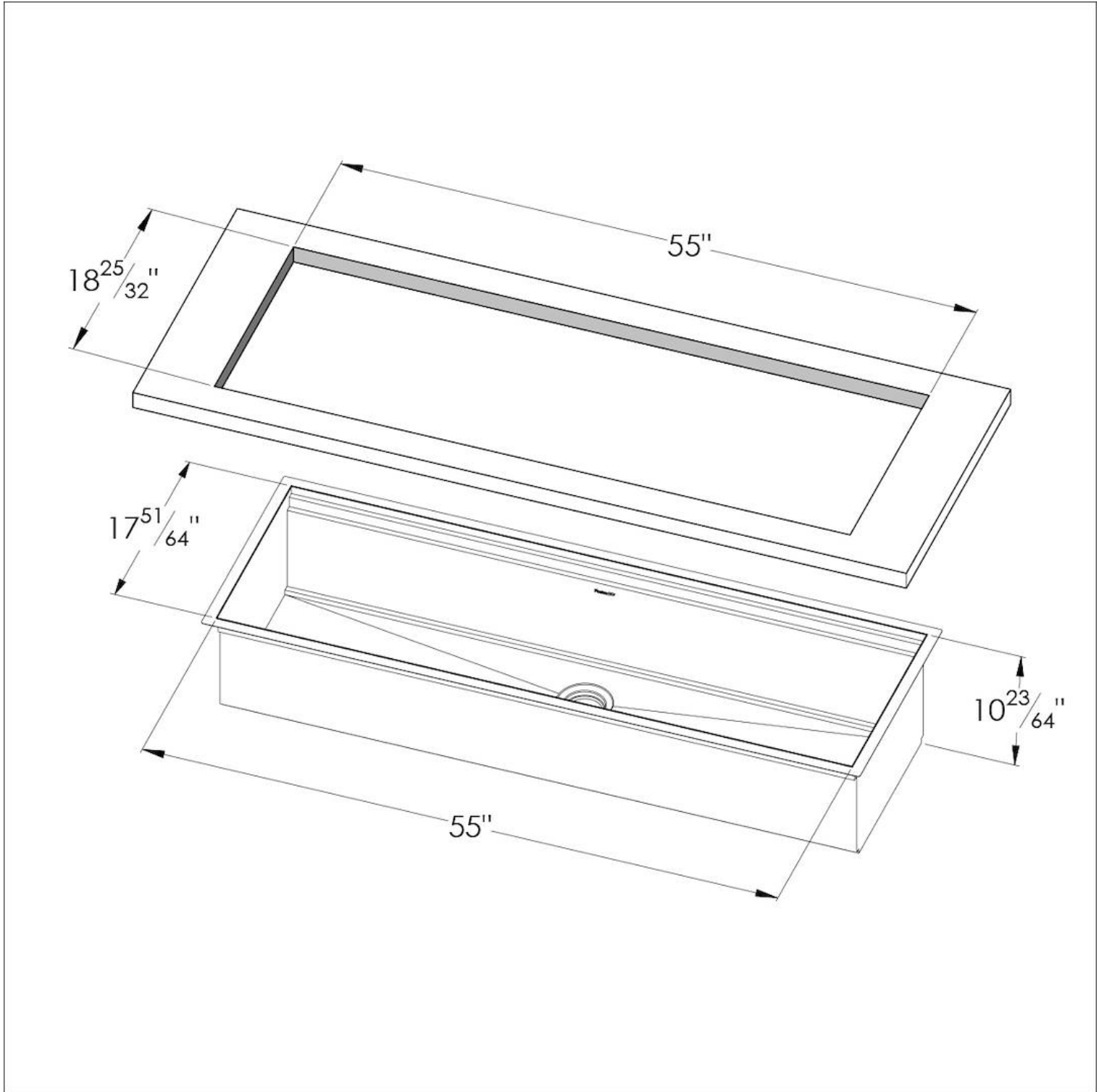
Diamond-shape bottom The draining of water is an important feature in a sink, and it's always taken good care of in Foster products. In the bent-welded sinks, which would have a flat bottom, the proper draining is guaranteed by the elegant beveling, which helps the water flow.

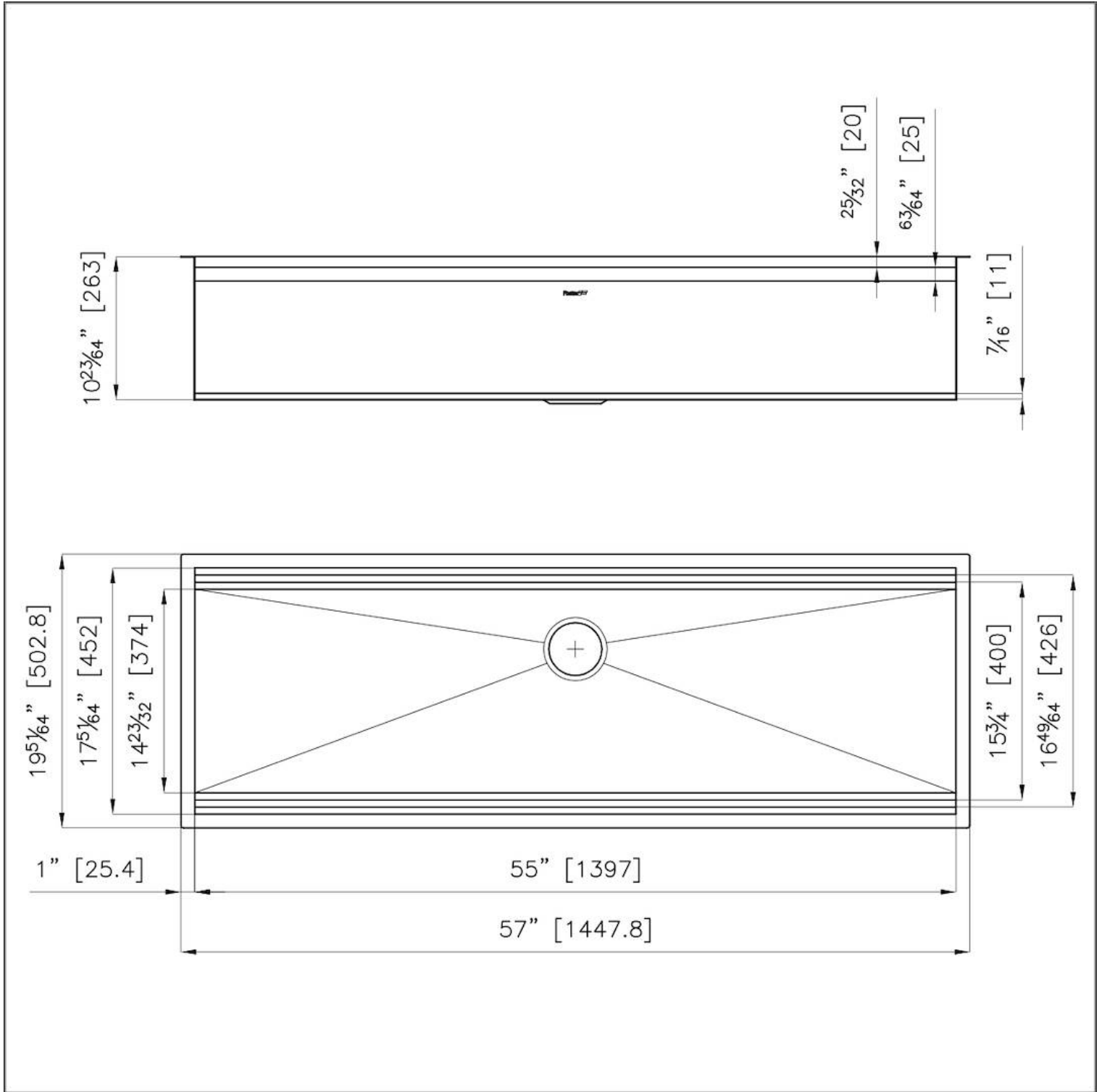
High thickness 1.5 mm thick steel. A significant thickness, which guarantees the maximum sturdiness and durability.

Basket 3,5" waste fitting The drain is equipped with a large 3.5" drain, with the practical basket cap that prevents the discharge of solid parts. The 3.5 "drain allows the use of the Foster waste-disposer, compatible with all models.

Triple recess - sliding accessories The Foster Milano sink has an ingenious design that makes it simple to use a large set of optional accessories. On the topmost supporting step, the innovative Black grids slide, creating a large and practical surface to rinse food and crockery. The second step is meant to support and allow the sliding of a complete combination of accessories, which make some operations practical and safe: rinse, drain, slice, grate... everything can be done inside the sink. The third supporting step is on the bottom of the bowl. On this step one can rest the Black grids, making it possible to rinse foodstuffs without their coming in contact with the bottom of the sink, which may be dirty.

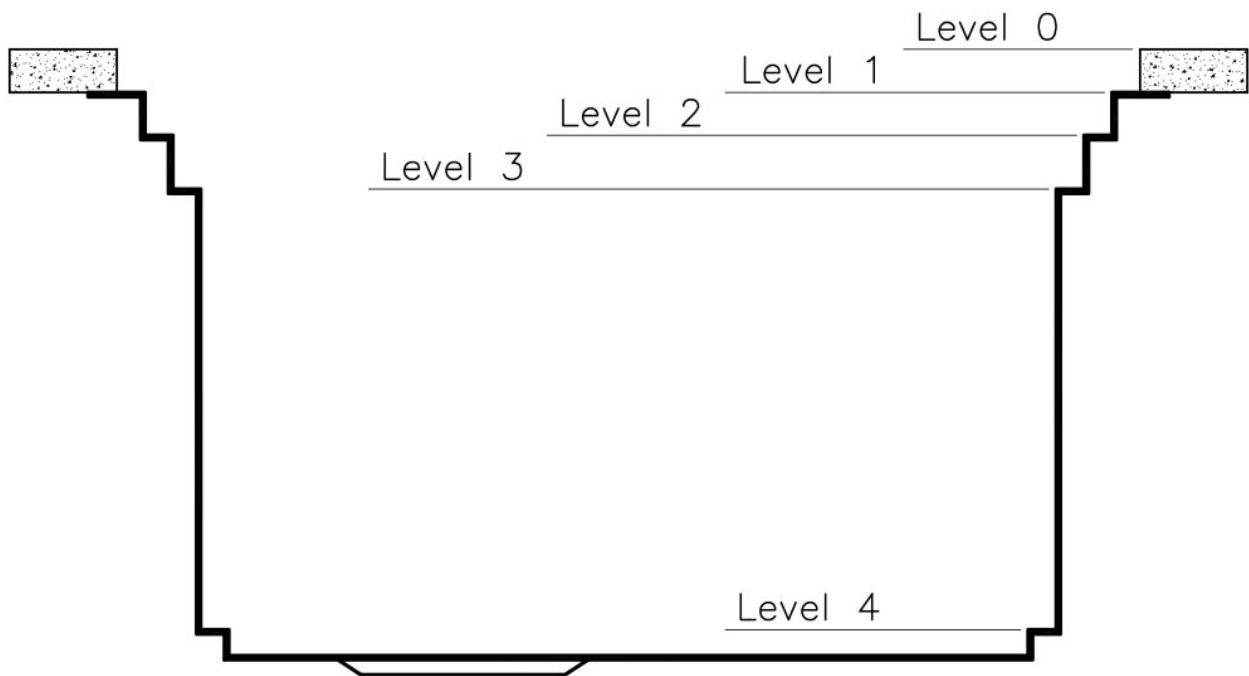
TECHNICAL DATA



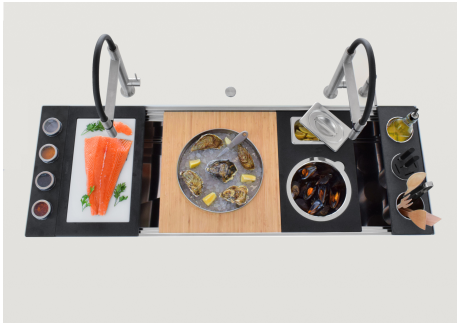
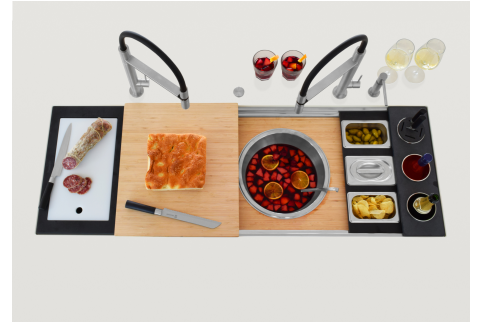


Happy Hour Optional accessories

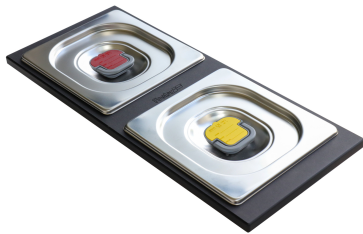
The "rails" system makes it possible use a combination of numerous accessories. Grids, chopping boards, utensils' ranging system, bowls and containers of different dimensions can be alternated in the workspace with a simple gesture, and can easily be stacked, in order to be on hand at all times.



GALLERY



OPTIONAL ACCESSORIES



2 Bowls set 8100 623



3 Bottles-holder set 8100 621



3 Bottles-holder set 8100 626



3 Bowls set 8100 622



3 Bowls set 8100 624



4 Spices-holder set 8100 620



4 Spices-holder set 8100 625



Chopping Board - 8642 000



Chopping Board 8631 300



Grating kit complete with ring support and food collection tray 8159 101



HDPE + Black Twin chopping board 8100 627



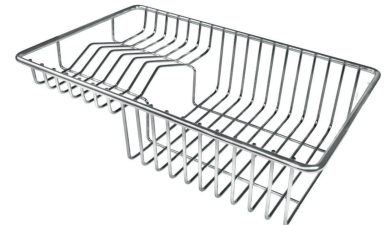
Kit bowl Ø30 cm with bamboo support - 8200 601



Kit multi-bowl 8100 628



Knives-holder 8100 030



Stainless Steel dishes holder 8100 303



Stainless steel perforated pan 8151 000



Steel tray 1778 000



Twin Chopping Board - 8644 101



White bowl 8153 100



Bamboo chopping board 8200 002



Black Grid 8100 600

WARNING:

- 1778 000 can only be used in combination with 8200 601;
- 8100 030 can only be used in combination with 8100 621 and 8100 626;
- 8151 000, 8159 101 and 8100 303 can only be used in combination with 8100 627.

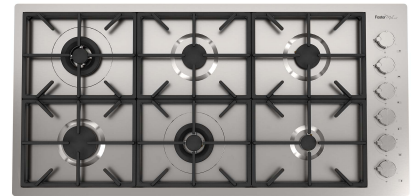
RECOMMENDED PAIRINGS



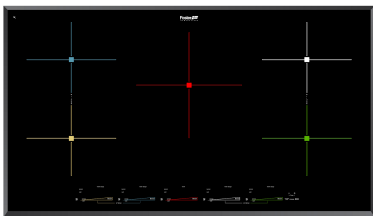
Faucet Capri | Polished finish - 8467 005



Faucet Salina | Polished Finish - 8487 005



Milano Cooktop 6F - 46" x 22" FM - 7639 900



Milano Induction Cooktop - 36" x 20" - 7390 945