
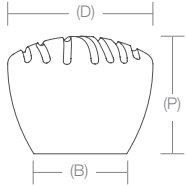

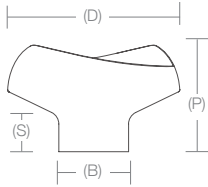


Curvilinear Knob Specifications


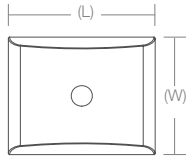
Sweep Knob

		Product Code Dimension(D) Projection(P) Base(B) <small>L x W</small>
		86405 1 ¼" 1" 7/8" x 5/8"


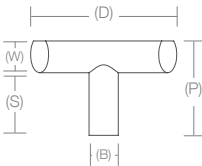
Bezier Knob

		Product Code Dimension(D) Projection(P) Base Diameter(B) Stem(S)
		86410 1 ¼" 1" ½" 3/8" 86411 1 5/8" 1" 5/8" 3/8"

Neos Back Plate for Knob

		Product Code Length(L) Width(W) Thickness
		86420 1 ¼" 1" 3/32"

T-Curve Pull

		Product Code Dimension(D) Width(W) Base(B) Stem(S) Projection(P)
		86415 2" 3/8" 3/8" 7/8" 1 ¼"