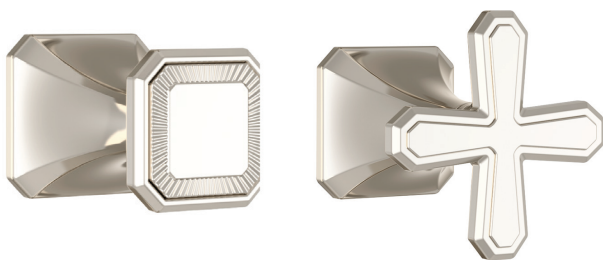




DXV BELSHIRE™

2-HANDLE THERMOSTATIC VALVE TRIM



- 1/8" Thin profile
- Forged brass escutcheon plate
- Metal handles
- Concealed mounting hardware
- Rough-in valve sold separately

CODES AND STANDARDS

Meets or Exceeds ASME A112.18.1/CSA B125.1

DESCRIPTION

2-Handle Thermostatic Valve Trim Kit with Lever Handles (ADA)
 2-Handle Thermostatic Valve Trim Kit with Cross Handles
 2-Handle Thermostatic Valve Trim Kit with Cushion Handles

PRODUCT NUMBER

D35170527.XXX
 D35170528.XXX
 D35170529.XXX

REQUIRED VALVE OPTIONS

- 2-Handle Thermostatic Rough Valve with Volume Control D35005511.191
- 2-Handle Thermostatic Rough Valve with 2-Way Diverter (Discrete Functions) D35005522.191
- 2-Handle Thermostatic Rough Valve with 2-Way Diverter (Shared Functions) D35005522S.191
- 2-Handle Thermostatic Rough Valve with 3-Way Diverter (Discrete Functions) D35005523.191
- 2-Handle Thermostatic Rough Valve with 3-Way Diverter (Shared Functions) D35005523S.191

AVAILABLE FINISHES

Polished Chrome
 Brushed Nickel
 Platinum Nickel
 Satin Brass

FINISH CODE

100
 144
 150
 427



Polished Chrome



Brushed Nickel

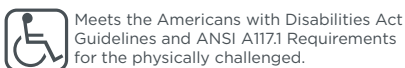


Platinum Nickel



Satin Brass

ROUGH-IN DIAGRAM SHOWN ON NEXT PAGE

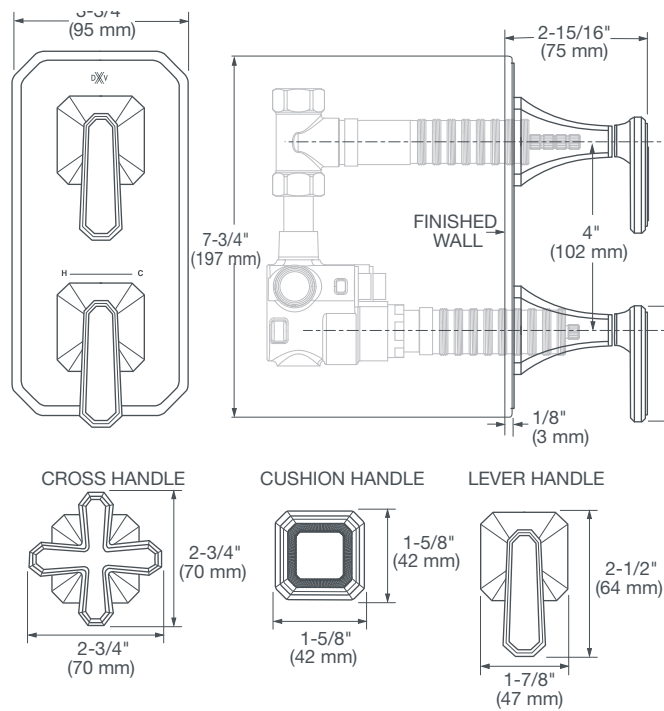


Meets the Americans with Disabilities Act Guidelines and ANSI A117.1 Requirements for the physically challenged.



DXV BELSHIRE™

2-HANDLE THERMOSTATIC VALVE TRIM



IMPORTANT: These measurements are subject to change or cancellation. No responsibility is assumed for use of superseded or voided pages.

PART OF LIXIL