



Shower - Tara.

Exposed shower set - polished chrome

Article number: 26 632 892-00 0010



- Projection 16-1/2"
- Rainshower
- Rain shower Ø 8-5/8"
- Rain shower with descaling system
- Rain shower water flow rate limited to max. 1.8 gpm
- Shower head / hand shower diverter
- Height from center of faucet to bottom of rainhead 33-1/2"
- Height from center of faucet to top of shower arm 46"
- Wall bracket with flange Ø 2-1/8"
- Flange for wall connection Ø 2-1/4"
- Shower mixer with flange Ø 2-1/2"
- Center to center 5-7/8" ± 1/2"
- 59" metal shower hose
- 1/2" connection
- NOTE: Local building codes may require the use of an anti-scald device. Please refer to remote pressure balance valve (35 910 970 90)
- Internal backflow preventer.
- NOTE: Hand shower sold separately. Please see hand shower options under the miscellaneous articles section of each series.



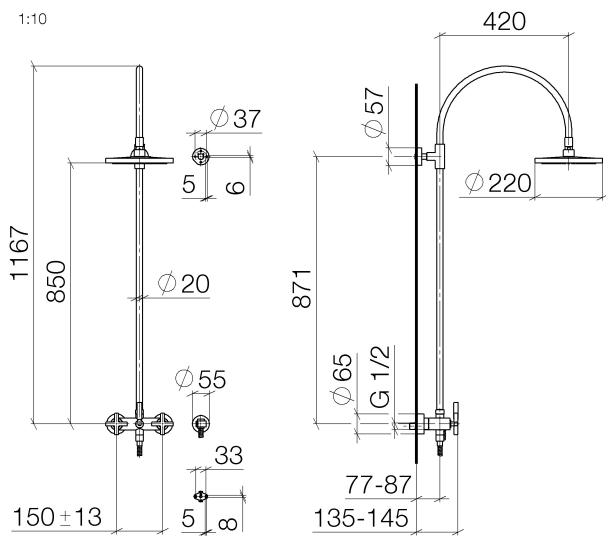
polished chrome

Accessory is required for this item.



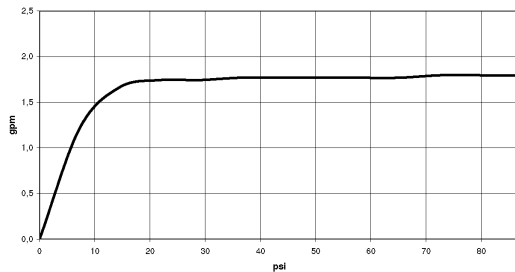
Shower - Tara.
Exposed shower set - polished chrome
Article number: 26 632 892-00 0010

Dimensional drawing



All dimensions in mm / inch = mm x 0,0394

Flow rate chart





Shower - Tara.
Exposed shower set - polished chrome
Article number: 26 632 892-00 0010

Other surface finishes



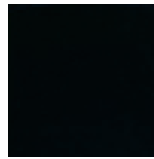
platinum matte
26 632 892-06 0010



platinum
26 632 892-08 0010



Brushed Durabrass
26 632 892-28 0010



black matte
26 632 892-33 0010



Dark Platinum matte
26 632 892-99 0010

More custom finish options are available via special production (xTra Service). Please see our finish matrix for availability and pricing or contact a Dornbracht representative.

Required article

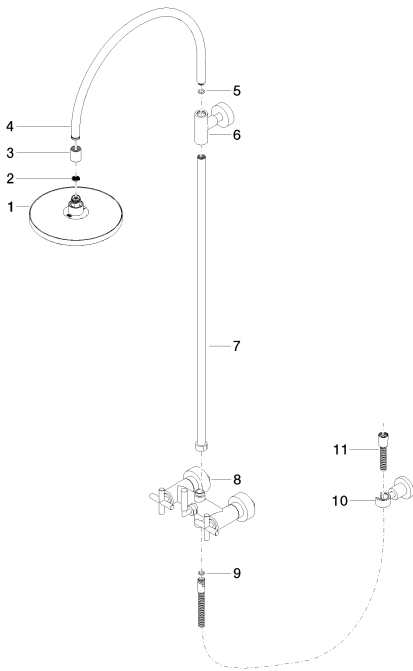


35 080 970-90 0010
Rough-in adapter -



Shower - Tara.
Exposed shower set - polished chrome
Article number: 26 632 892-00 0010

Spare parts list



Number	Item Number	Designation	Number of units
1	04 12 05 092 10-00	shower	1
2	09 23 01 039 90	sieve	1
3	09 24 03 177 20-00	adaptor	1
4	04 28 22 097 20-00	spout	1
5	09 14 10 011 90	seal	1
6	90 17 11 037 00-00	holder	1
7	90 28 22 096 00-00	pipe	1
8	04 17 10 020 01-00	fitting	1
9	09 14 20 026 90	seal	1
10	28 050 892-00	Wall bracket - polished chrome	1
11	28 304 970-00	hose	1