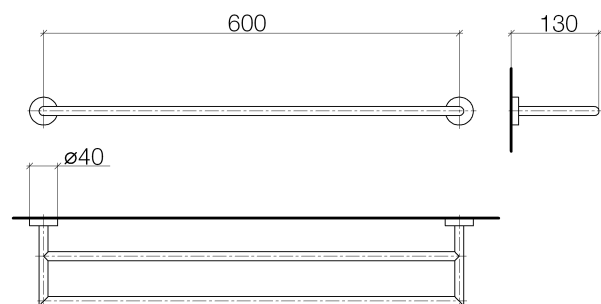




**Product specifications**

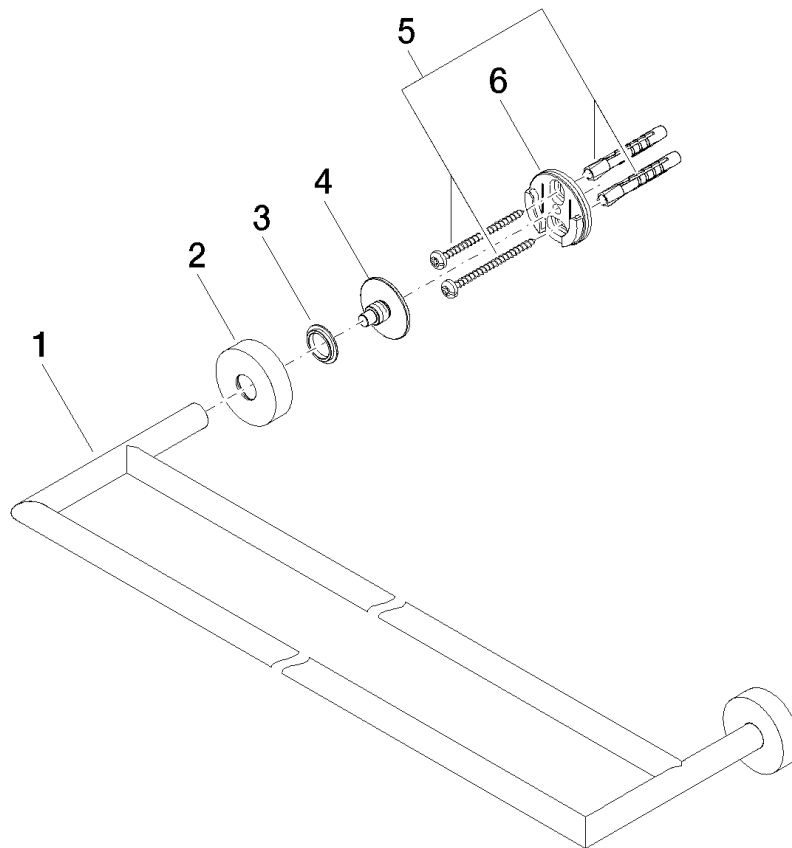
- Center to center 23-5/8"
- Width 25-1/4"
- Height 1-5/8"
- Flange diameter 1-5/8"
- 5-1/8" Projection



**Surfaces**

- chrome 83061979-00
- matt platinum 83061979-06

**Exploded assembly drawing**





**Order quantity**

<b>No.</b>	<b>Article number</b>	<b>Name</b>	<b>Installation quantity</b>
1	05282262201ff	holder	1
2	082797500ff	rosette	2
3	08301151690	ring	2
4	08179756090	holder	2
5	0530310250090	fixing set	1
6	08179750107	holder	2