



Product specifications

- Cover plate 4-3/4" x 4-3/4"
- Temperature control handle with safety lock at 100 °F/ 38°C

(ADA)

NOTE: Important! Due to minimum rough-in requirements, a framing of 2 x 6 studs is needed.

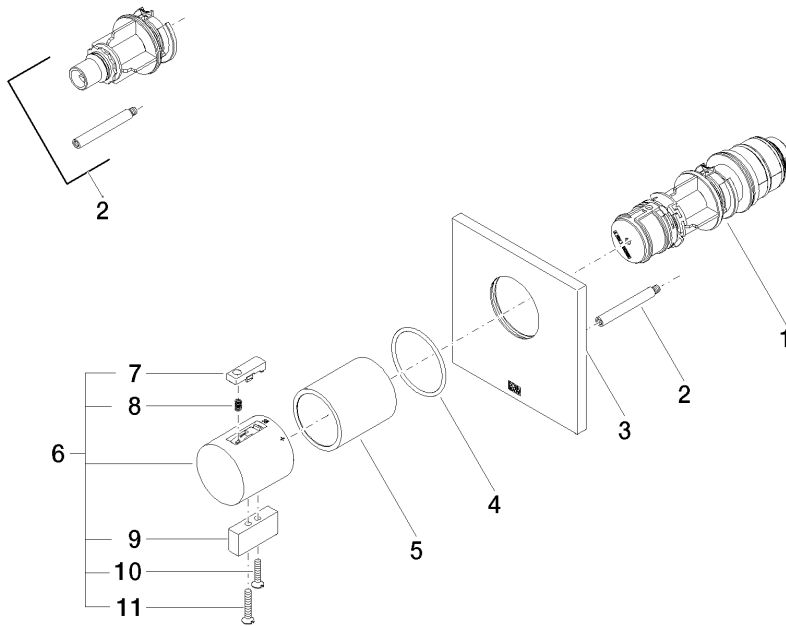
Surfaces

- chrome 36417985-00
- matt platinum 36417985-06

Accessories required

- xTOOL Concealed thermostat rough; 35 517 970

Exploded assembly drawing



**Order quantity**

No.	Article number	Name	Installation quantity
1	9015020650090	cartridge	1
2	1217897090	extension	1
3	091102196ff	cover	1
4	09141004990	seal	1
5	092102112ff	sleeve	1
6	04173300600ff	handle	1
7	092133010ff	handle	1
8	09160202790	spring	1
9	092033006ff	handle	1
10	093030159ff	screw	1
11	093030160ff	screw	1

Flow rate chart

