



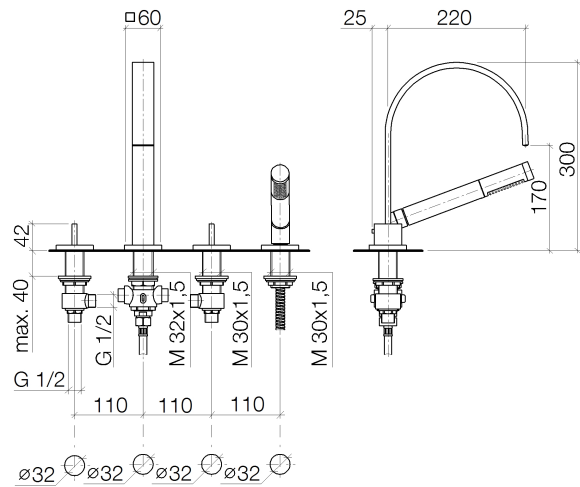
Product specifications

• 8-5/8" Projection

- Hand shower set: Standard spray
- Spout: Rectangular aerator
- Hand shower set with anti-scale technology
- Integrated diverter
- Total height 11-3/4"
- Height to aerator/spout outlet 6-3/4"
- Valve hole diameter 1-1/4"
- Spout hole diameter 1-1/4"
- Hole diameter for hand shower set 1-1/4"
- 2-3/8" x 2-3/8" flange for spout
- Hand shower set with flange 2-3/8" x 2-3/8"
- Valve with flange 2-3/8" x 2-3/8"
- Metal shower hose 68-7/8" with anti-twist device
- Spout flow rate max. 7.1 gpm
- Handshower flow rate max. 2 gpm

Internal backflow preventer.

NOTE: Local building codes may require the use of an anti-scald device. Please refer to remote pressure balance valve (35 910 970 90)

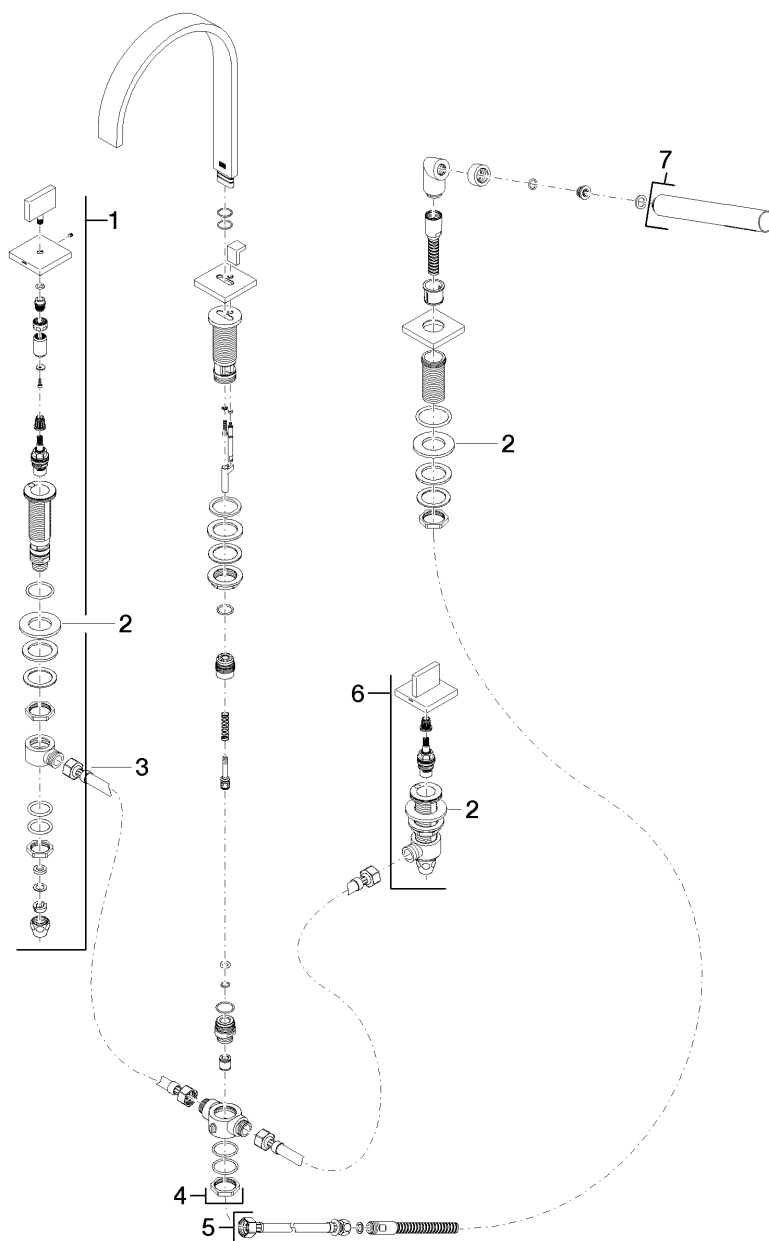




Surfaces

- chrome 27532782-00
- matt platinum 27532782-06
- platinum 27532782-08
- Cyprum 27532782-49

Exploded assembly drawing



**Order quantity**

No.	Article number	Name	Installation quantity
1	20000783ff	side panel	1
2	09301109990	disc	3
3	1250297090	hose	2
4	13512782ff	spout	1
5	27702980ff	shower set	1
6	20000782ff	side panel	1
7	28013979ff	shower	1

