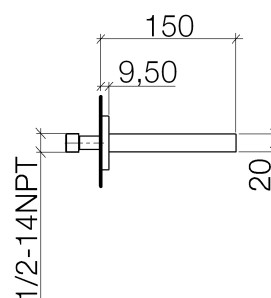
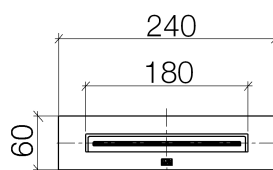




Product specifications

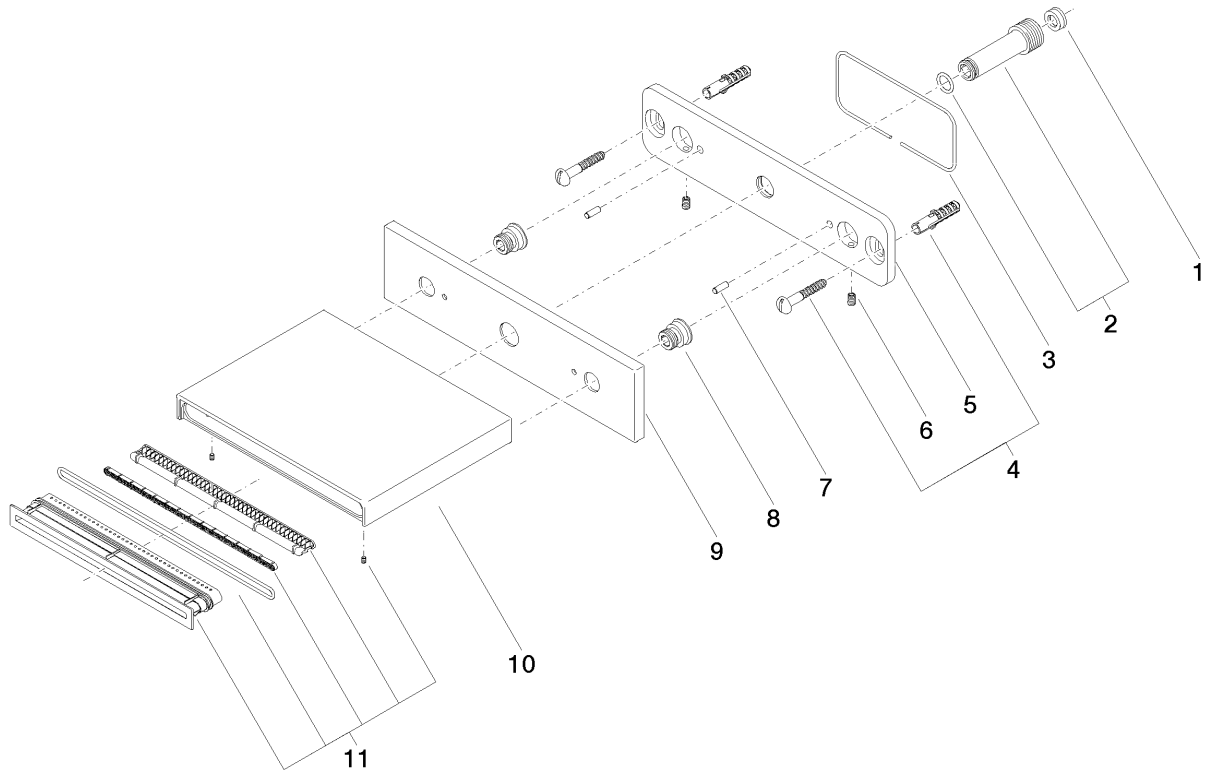
- 150 mm projection
- cascade
- cover plate 240 x 60 mm
- 1/2" connection
- plug-link mounting
- max. flow 26.5 l/min



Surfaces

- | | |
|-----------------|-------------|
| • chrome | 13415979-00 |
| • platinum matt | 13415979-06 |
| • platinum | 13415979-08 |
| • matt black | 13415979-33 |
| • Cyprum | 13415979-49 |

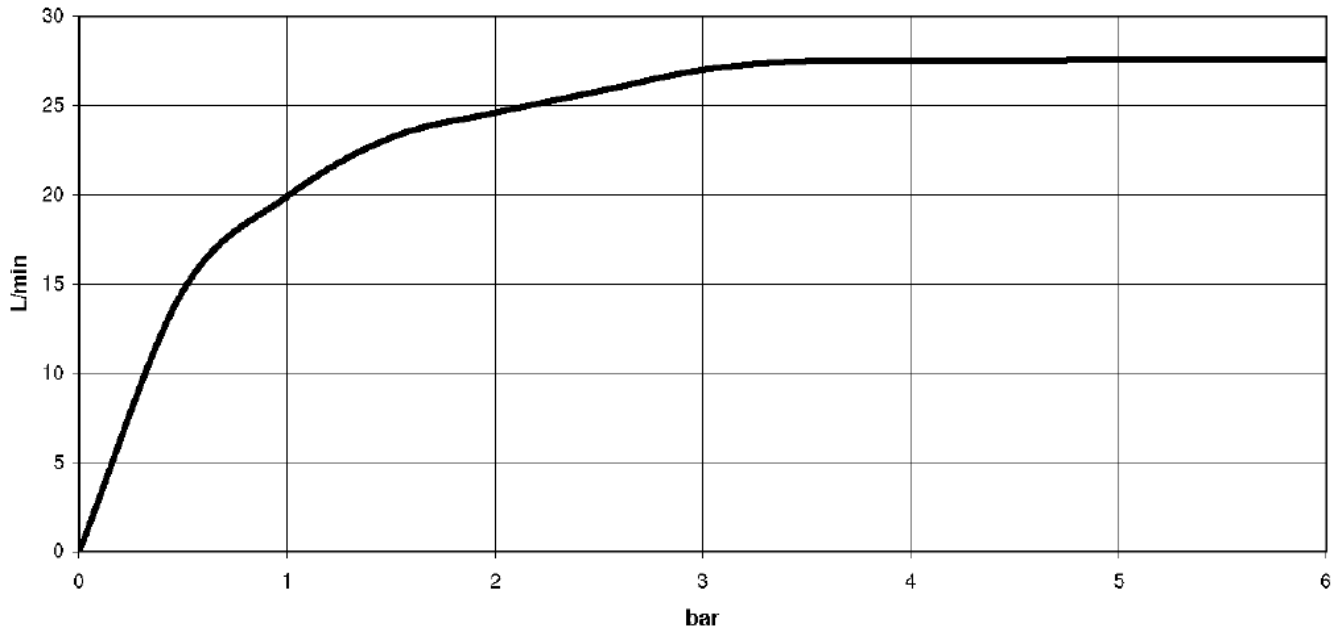
Exploded assembly drawing



Order quantity

No.	Article number	Name	Installation quantity
1	09230105790	flow reducer	1
2	9024032130090	connection	1
3	09140313490	seal	1
4	0430310240190	fixing set	1
5	09179705990	holder	1
6	09311103690	pin	2
7	09311104090	pin	2
8	09240321490	nipple	2
9	092778031ff	rosette	1
10	09117800320ff	spout	1
11	9029030590090	insert	1

Flow rate chart



Trajectory diagram

