

Berea Widespread Basin Faucet  
11-08

## Installation Instructions



### Tools You Will Need



Adjustable Wrench



Adjustable Pliers



Teflon Tape

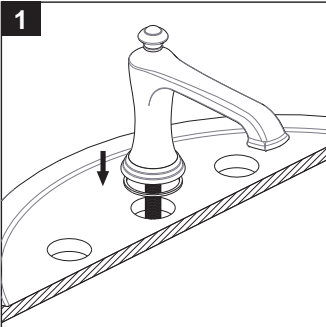
For ease of installation you will need:

- To read the installation instructions completely before beginning.
- To read all warnings, care, and maintenance information.

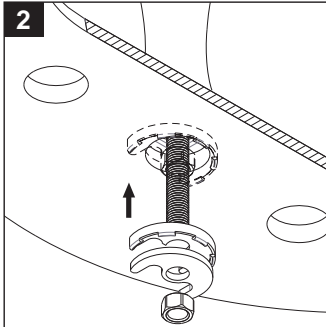
Before beginning installation, check for any damage that may have occurred during transport.

**Note: Damage claims cannot be made during or after installation.**

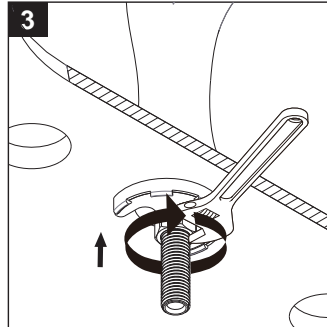
**Installation Instructions**



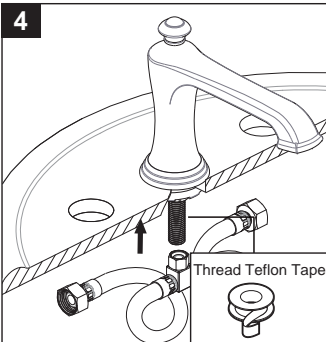
Lower spout into mounting hole.



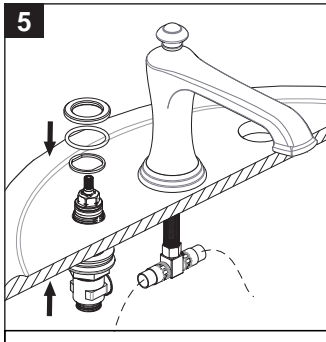
Slide "C" washer up on supply tube.



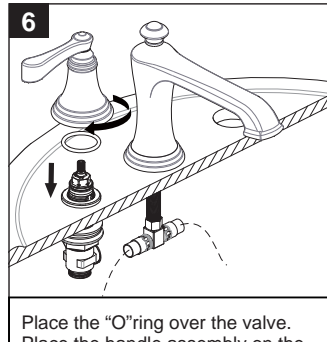
Carefully tighten spout nut to secure spout.



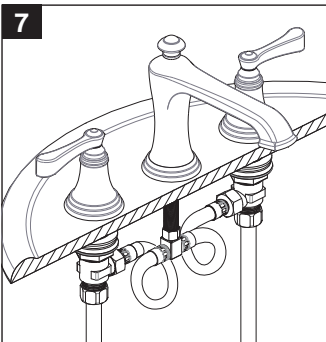
Apply teflon tape to the bottom of the spout supply tube and thread on tee.



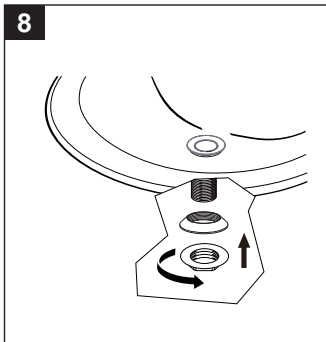
Push valve up from the bottom and thread on the valve sleeve from the top to secure the valve.



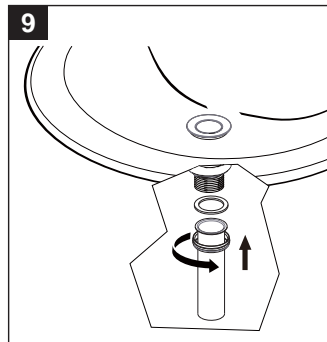
Place the "O"ring over the valve. Place the handle assembly on the valve. Secure the assembly by turning the handle hub clockwise.



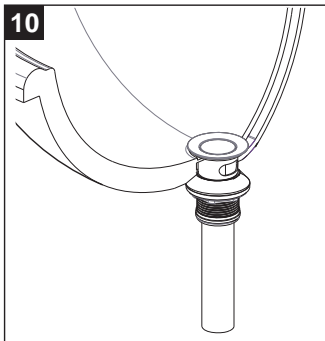
Install water inlet hoses.



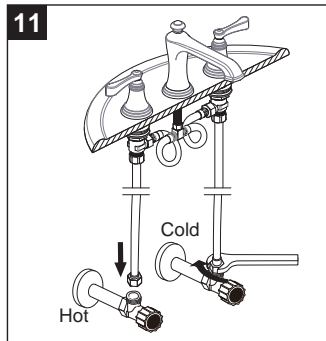
Slide push drain trim and plug into drain hole and secure from below.



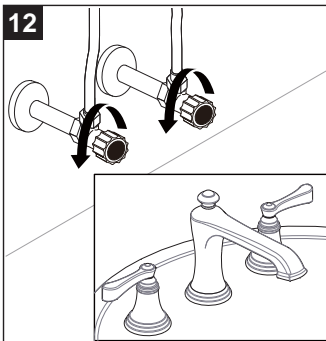
Install the drain tailpiece to the drain plug.



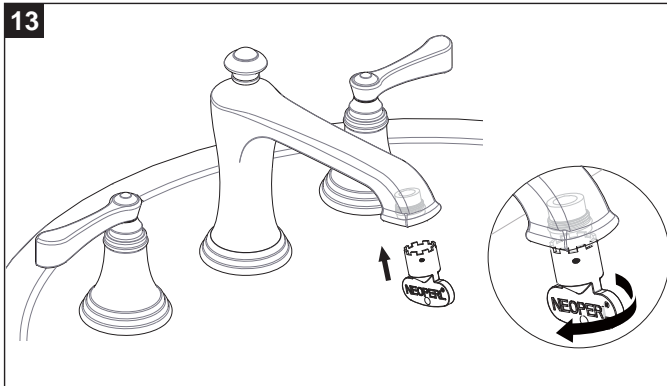
10 Push drain to test.



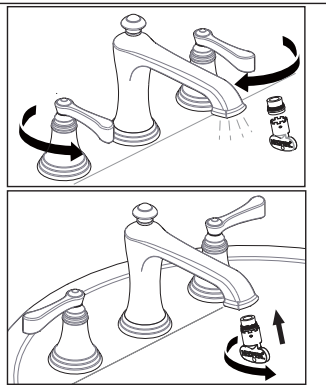
11 Attach customer-supplied water supply lines.



12 Turn on angle stops and check all connections for leaks.



13 Remove aerator with key and flush out debris. Re-install aerator and save aerator key for homeowner.



### Cleaning Instructions

Rinse away any traces of soap and gently dry with a clean, soft cloth after each use. Rinse completely with water and dry any overspray. This will maintain the finish and avoid water spotting.

To remove mineral deposits, use a 50/50 solution of white vinegar and water. Do not allow the solution to soak on the product. Simichrome Polish® contains a protective film to enhance maintenance and is helpful in preventing water spot buildup. Follow instructions to ensure optimum results.

Never use an abrasive material such as a brush or scouring pad to clean the surface. The use of abrasive cleaners, cleansers or disinfectants will alter the surface finish and void the warranty.

Do not allow certain materials such as toothpaste, cologne, shaving cream, nail polish remover, vinegar, wine, drain and glass cleaners to remain on the surface. Prolonged contact will alter surface finishes and void the warranty.

**We DO NOT recommend using any household cleaners as many can cause damage to the finish.**

Please see the website for care instructions for specific finishes.

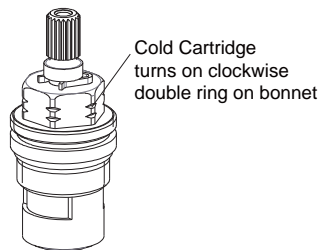
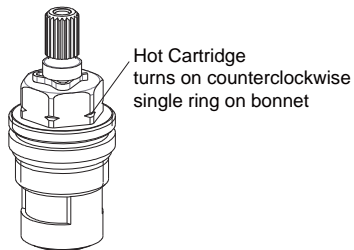
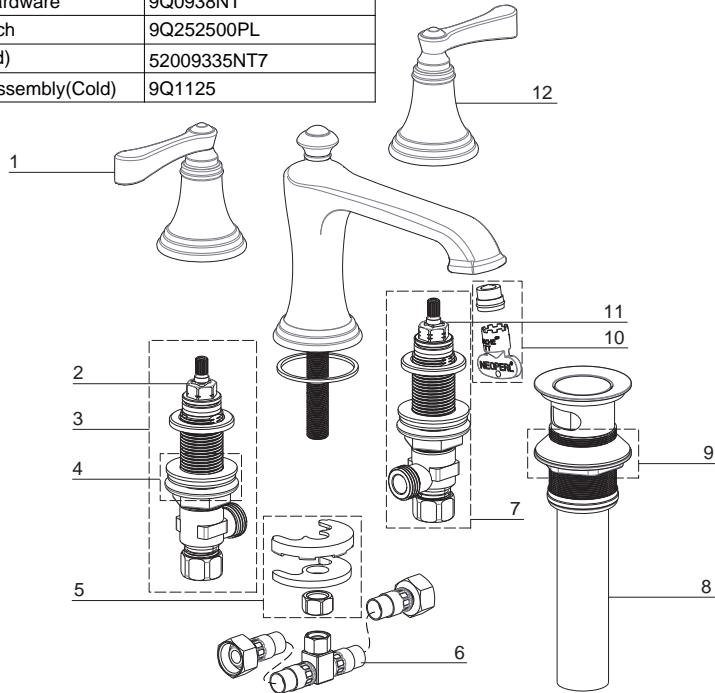
### Trouble-Shooting

If you have followed the instructions and your faucet still does not work properly take these corrective steps

Problem	Cause	Action
Leaks under an escutcheon	Cartridge "O" ring is damaged. Cartridge is loose.	Remove cartridge, rinse "O" ring and reinstall cartridge
Aerator leaks or has an inconsistent water flow pattern	Aerator is dirty or mis-threaded	Remove aerator with key and flush out debris. Reinstall aerator and save aerator key for homeowner
Only hot or only cold water is coming out of the spout	The hot or cold stop valve is not opened	Open the hot or cold stop valves
Handle will not turn	Cartridge is dirty or mis-fitted	Remove, rinse and reinstall cartridge

**Replacement Parts**

No.	Description	Part No.
1	Handle & Escutcheon Assembly (Hot)	9Q1124
2	Lavatory Cartridge (Hot)	52009347NT7
3	Lavatory Valve Assembly (Hot)	52009346CC7
4	Washer & Nut for Lavatory Valve	9Q1013PL
5	Lavatory Spout Mounting Hardware	9Q1129NT
6	2 Supply Hoses with Tee	52009319NC7
7	Lavatory Valve Assembly (Cold)	52009333CC7
8	Push Drain Assembly	5Y0M0196
9	Push Drain Mounting Hardware	9Q0938NT
10	Aerator & Aerator Wrench	9Q252500PL
11	Lavatory Cartridge (Cold)	52009335NT7
12	Handle & Escutcheon Assembly(Cold)	9Q1125

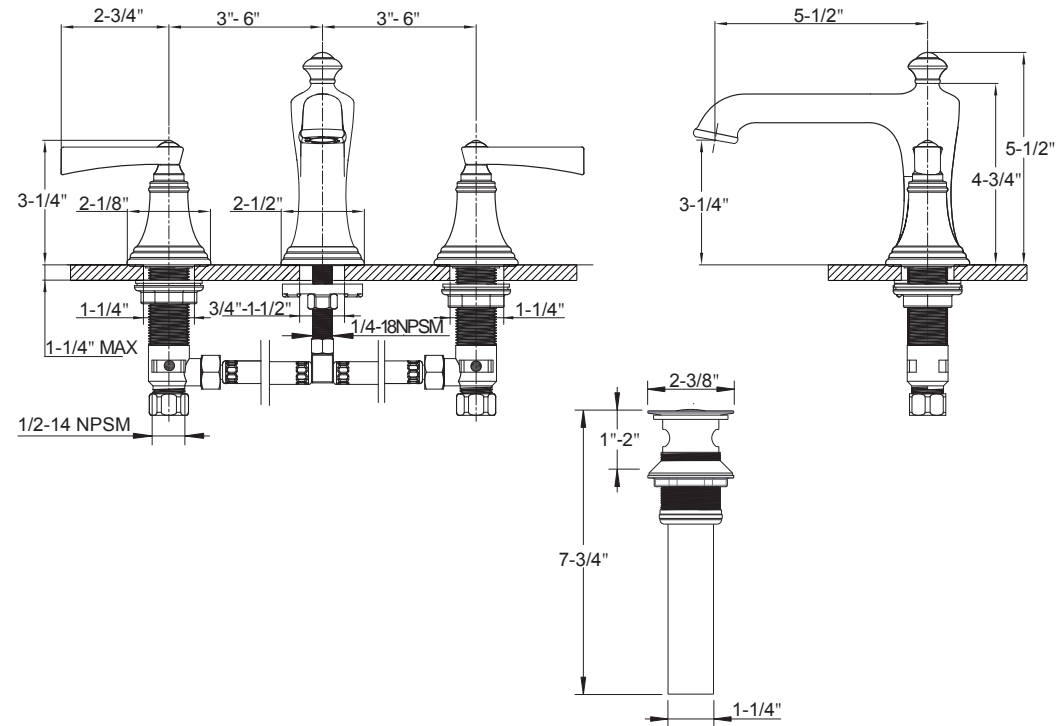


**Applicable Standards/Codes**

- IAPMO certified to meet or exceed the following:
- ASME A112.18.1/CSA B125.1
  - Uniform Plumbing Code
  - National Plumbing Code of Canada
  - NSF/ANSI 61
  - Section 116875 of the California Health & Safety Code
  - ADA Compliant
  - EPA WaterSense



**Installation Dimensions**



**Warranty** - This **Crosswater London** product is covered by a limited lifetime warranty. For full details, terms and conditions please visit our website. For further information contact: **Crosswater London**, 393 Fortune Blvd., Milford, MA 01757  
Toll free number: 844-XWATER-1 (844-992-8371) tel: 508-381-0433 fax: 508-381-6068 [www.crosswaterlondon.com](http://www.crosswaterlondon.com)  
email: [technical@crosswaterlondon.com](mailto:technical@crosswaterlondon.com)