



California Faucets®

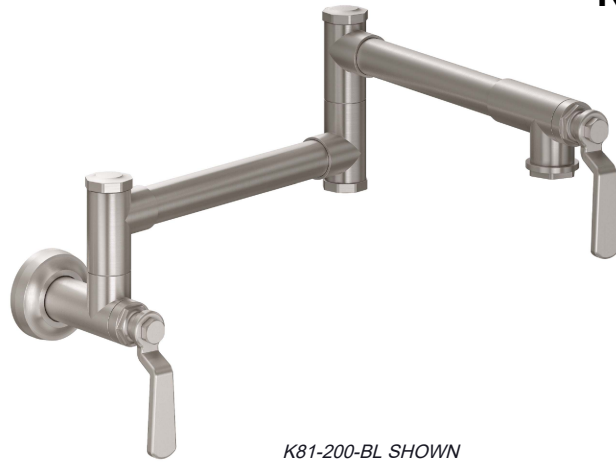
# Descanso Works®

## Industrial Dual Handle Wall Mount Pot Filler

### Features

- Available in 28 finishes including 13 PVD finishes
- All brass construction
- 1/4 turn ceramic disc cartridges
- Dual jointed swing spout
- 1/2" FIP inlet for quick connect
- Max flow rate: 4.0 gpm (15.1 L/min) at 60 psi

**K81-200-XX**



K81-200-BL SHOWN

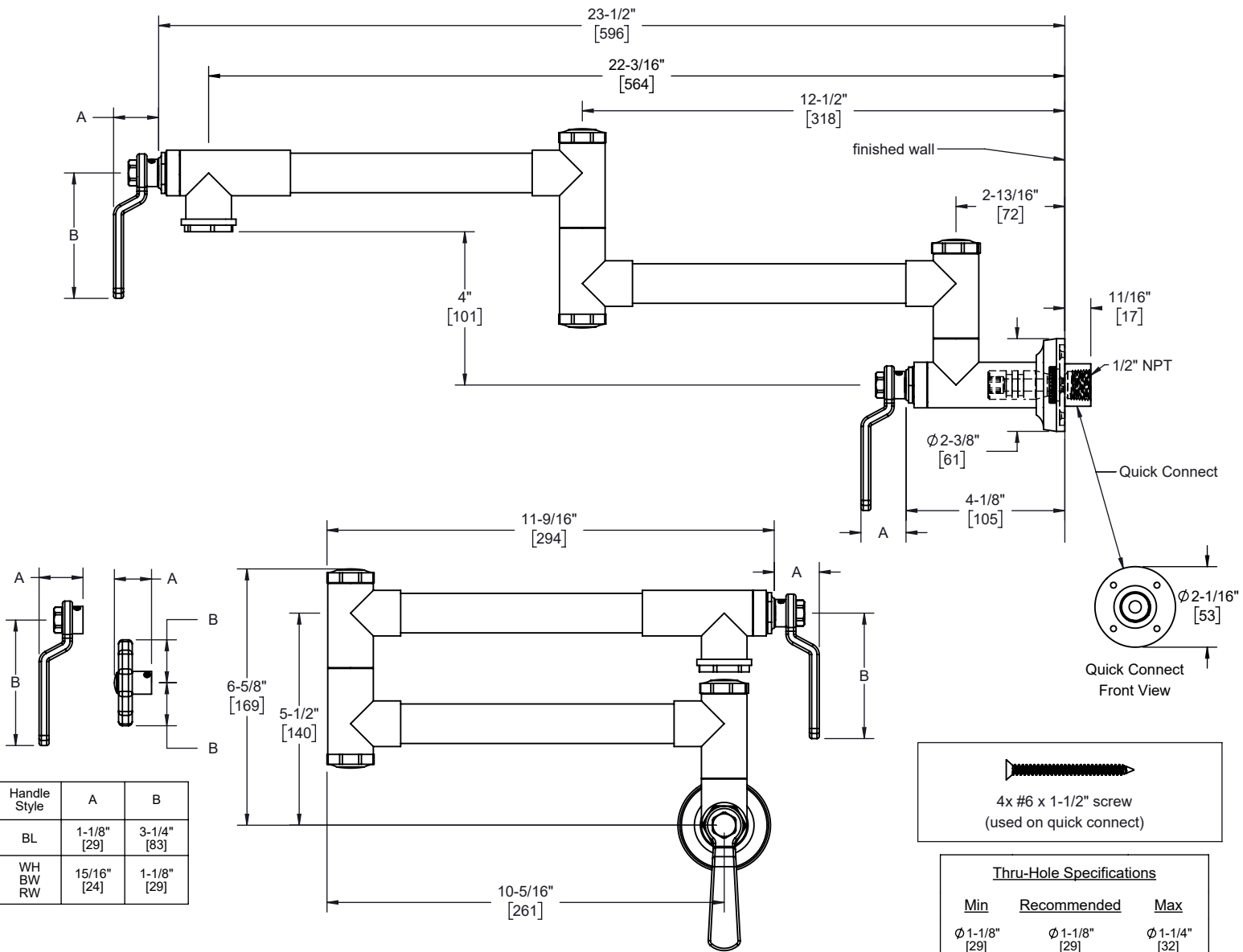


XX = Denotes Handle Style

### Codes/Standards Applicable

Product meets or exceeds the following:

- ASME A112.18.1/CSA B125.1
- NSF 61, & NSF 372
- Commonwealth of MA
- ADA compliant (Lever handles only)



Specifications subject to change without notice

Dimensions are inches, rounded to 1/16"  
[Dimensions in brackets are mm, rounded to 1mm]