



Features

- Available in 28 finishes including 13 PVD finishes
- All brass construction including sprayhead
- 360° rotating spout with magnetic sprayhead docking
- One button control for aerated or spray stream
- Spray jets have easy-to-clean surface
- Quiet polymer-braided hose with rotating joint
- Ceramic disc cartridge
- Max flow rate: 1.8 gpm (6.8 L/min)



K51-100-FB shown



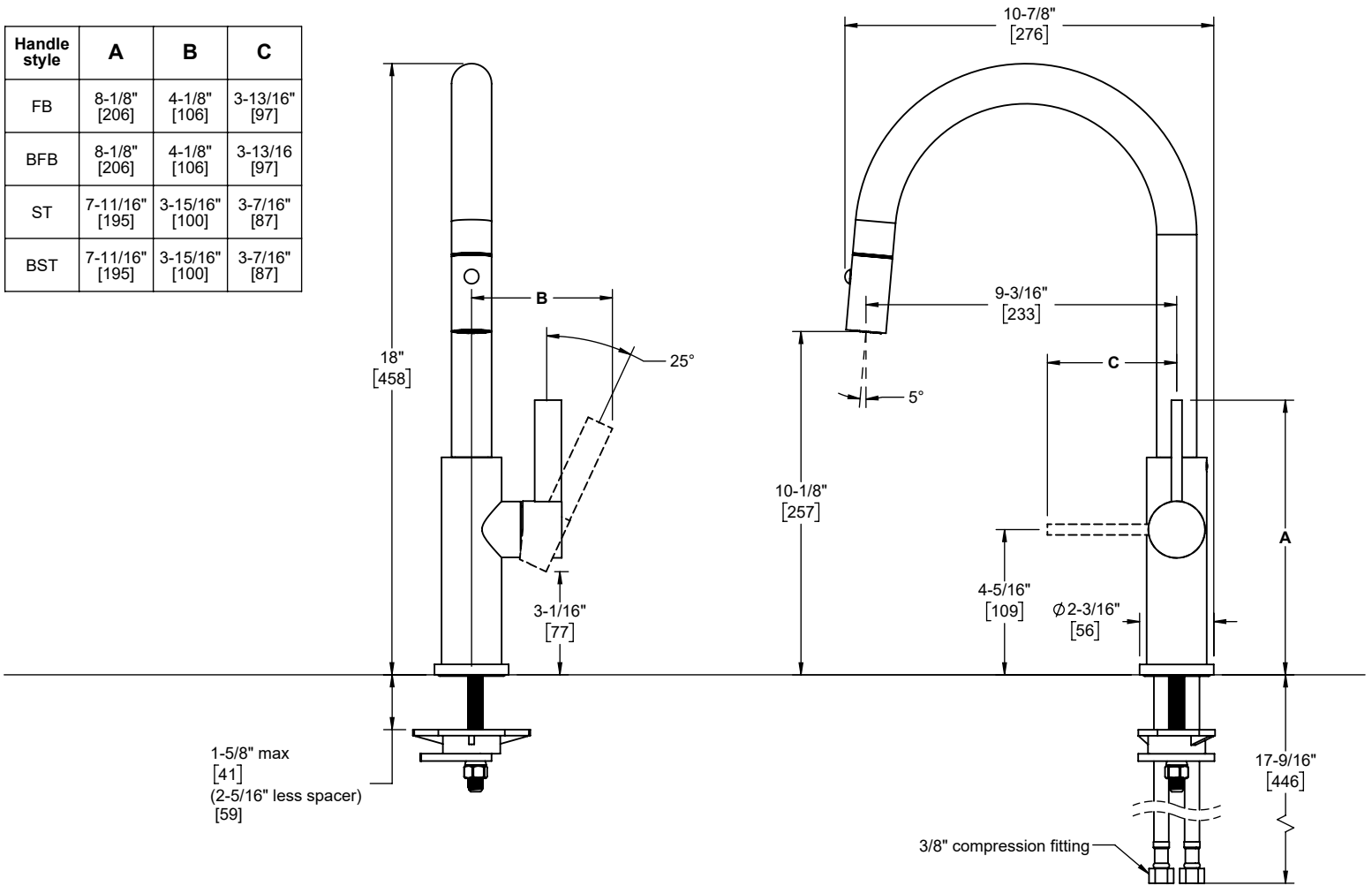
XX = Series handle

Codes/Standards Applicable

Product meets or exceeds the following:

- ASME A112.18.1/CSA B125.1
- NSF 61, NSF 372, CEC, & DOE
- Commonwealth of MA
- ADA compliant

Handle style	A	B	C
FB	8-1/8" [206]	4-1/8" [106]	3-13/16" [97]
BFB	8-1/8" [206]	4-1/8" [106]	3-13/16" [97]
ST	7-11/16" [195]	3-15/16" [100]	3-7/16" [87]
BST	7-11/16" [195]	3-15/16" [100]	3-7/16" [87]



Through-Hole Specifications		
Min	Recommended	Max
∅ 1-1/4" [32]	∅ 1-3/8" [35]	∅ 1-3/8" [35]