



California Faucets®

5208 & 5308

Roman Tub Installation Instructions

CALIFORNIA FAUCETS RECOMMENDS THAT ALL PLUMBING PRODUCTS BE INSTALLED BY A LICENSED PROFESSIONAL

IMPORTANT: Read all instructions prior to installation and provide copy of instructions to consumer.

Operating Specifications:

Recommended Supply Pressure: 20 to 70 psi †

Maximum Flow Rate: 1.2 gpm

* Operating pressures between hot and cold supplies should vary no more than 30 psi.

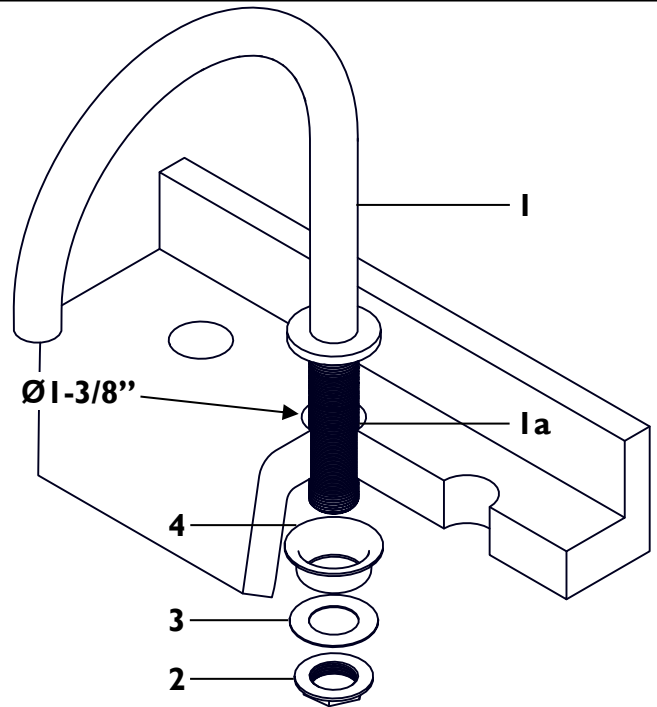
† If water pressure exceeds 70 psi, install a Pressure-Reducing Valve (PRV).

I INSTALLING SPOUT

- Remove BRASS NUT (2), WASHER (3), and CUP SPACER (4) from SPOUT (1)
- Insert spout SHANK (1a) through hole in deck

NOTE: Tub / Deck recommended hole size is $\varnothing 1-3/8"$

- Place CUP SPACER (4), WASHER (3), and BRASS NUT (2) onto spout SHANK (1a) from below and secure to tub/deck



2 INSTALLING VALVES

- From underneath insert VALVE (5) through appropriate tub/deck hole

IMPORTANT: VALVES (5) are labeled as follows:

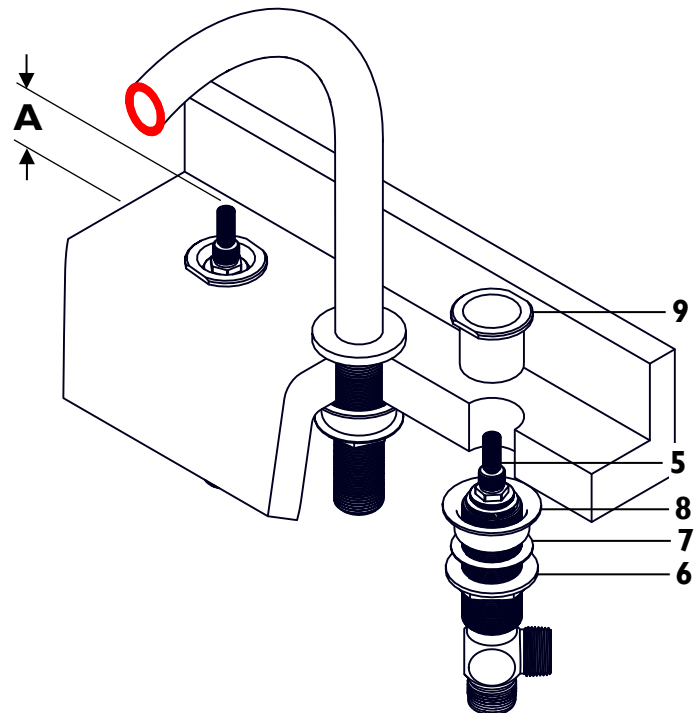
BLUE is **COLD** left turning (counterclockwise) closed

RED is **HOT** right-turning (clockwise) closed

- Position flange NUT (6), WASHER (7), and CUP SPACER (8) (if necessary) so that VALVE (5) extends above tub/deck surface according to table

Series	A
52	1-3/4"
53	1-3/4"

- Secure VALVE (5) with INVERTED NUT (9)



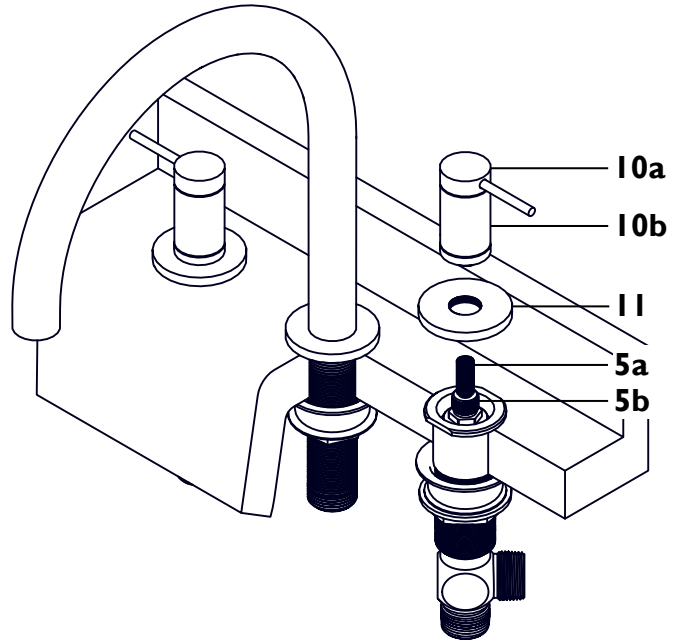
3 INSTALLING HANDLES

- Attach RING (11) onto HANDLE (10)

NOTE: Check that handle ESCUTCHEON (10b) and RING (11) spin independently of handle TOP (10a)

- Slide HANDLE (10) down onto and engage valve STEM (5a)
- Secure HANDLE (10) to deck by tightening handle ESCUTCHEON (10b) onto valve THREADS (5b)

NOTE: To obtain proper alignment it may be necessary to rotate VALVE (5) so that HANDLE (10) is aligned to desired orientation



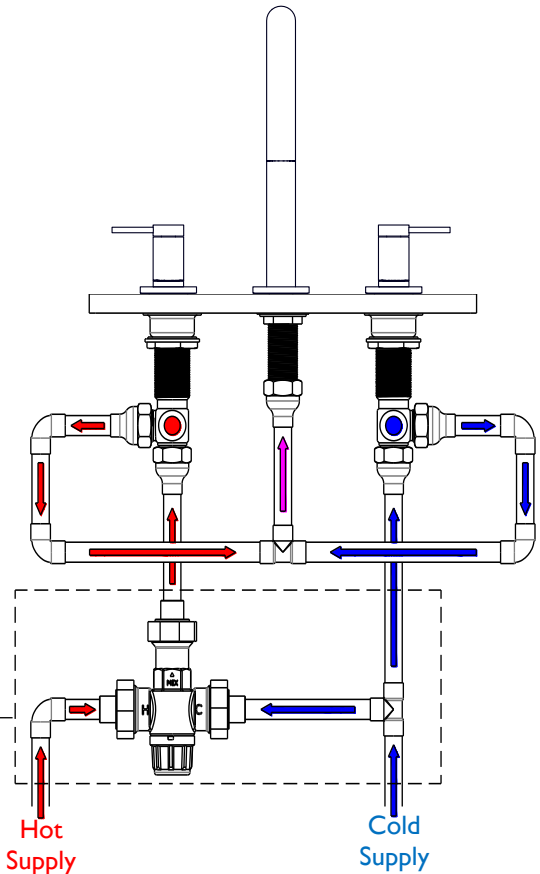
4 INSTALLING SUPPLY LINES

- Must use rigid copper piping (not flex) for all connections between spout and valves
- California Faucets recommends that all installation types have access panel(s) to allow for maintenance and/or service

Disclaimer: To conform to local codes and/or ordinances, it may be required that California Faucets Roman Tub sets be installed in conjunction with an ASSE 1070 approved tempering valve or equivalent (not included) to reduce hot water supply to a safe temperature.

Important: the INSTALLER is responsible to check local codes and/or ordinances, to confirm and verify proper maximum hot water temperature settings for all products installed

Warning: Water temperatures in excess of 110° F (43°C) are dangerous and may cause severe scalding and injury



Typical installation of ASSE 1070 tempering valve (follow tempering valve instructions)