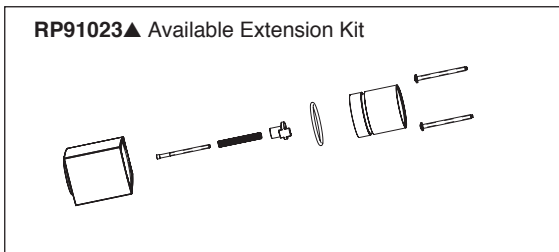
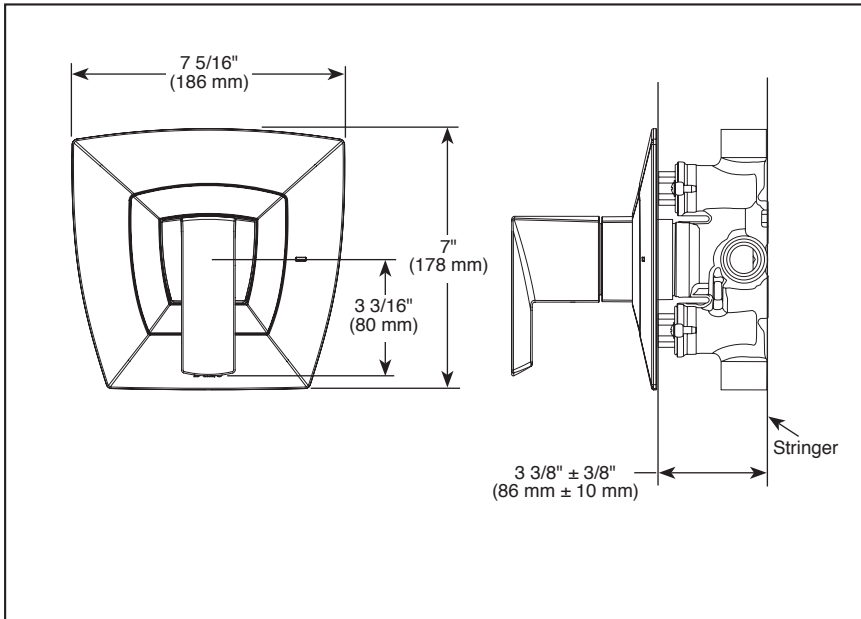


Submitted Model No.: _____

Specific Features: _____



▲ Designate proper finish suffix

BRIZO[®]

SENSORI[®]

THERMOSTATIC VALVE TRIM

■ Vettis[™] Collection


STANDARD SPECIFICATIONS

- Sensori[®] thermostatic control
- Must also order R66000-WS rough valve body
- Includes Sensori[®] thermostatic cartridge
- Thermostatic wax element maintains the outlet temp to +/- 3.6° F
- Handle controls temperature only; must be used with one or more Sensori[®] volume controls
- Red/blue temperature markings
- Field adjustable to limit rotation into hot water zone
- All parts are replaceable from the front of the valve
- Optional extension kit RP91023▲ can accommodate up to an additional 1 3/4" of wall thickness

WARRANTY

- Lifetime limited warranty on parts (other than electronic parts and batteries) and finishes: or, for commercial users, for 5 years from date of purchase.
- 5 year limited warranty on electronic parts (other than batteries); or, for commercial users, for 1 year from the date of purchase. No warranty is provided on batteries.

COMPLETE VALVE COMPLIES WITH:

- ASME A112.18.1 / CSA B125.1
-  Indicates compliance to ICC/ANSI A117.1
- ASSE 1016 Type T