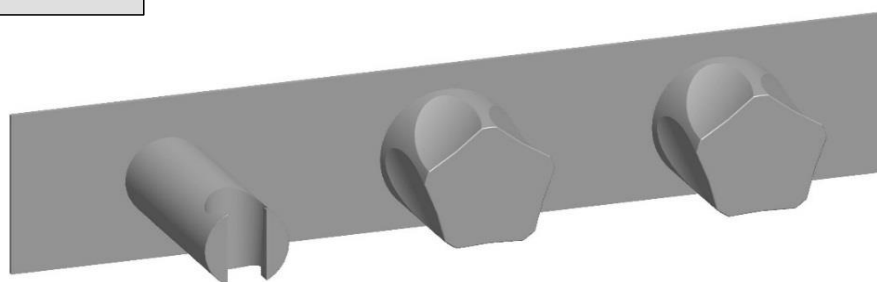


BUILT-IN THERMOSTATIC SHOWER MIXERS INCL. WATER OUTLET WITH HOOK

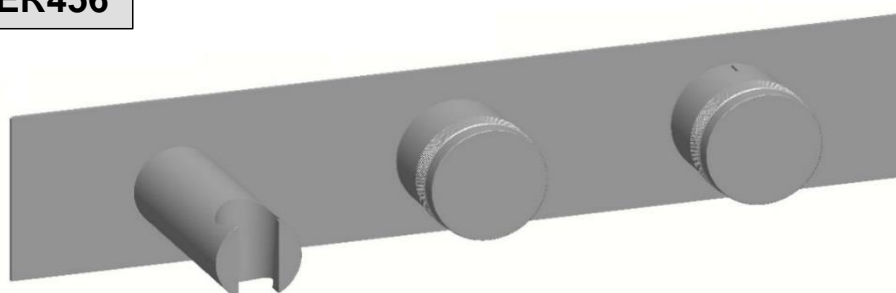
Installation manual

Trim Parts - Maintenance

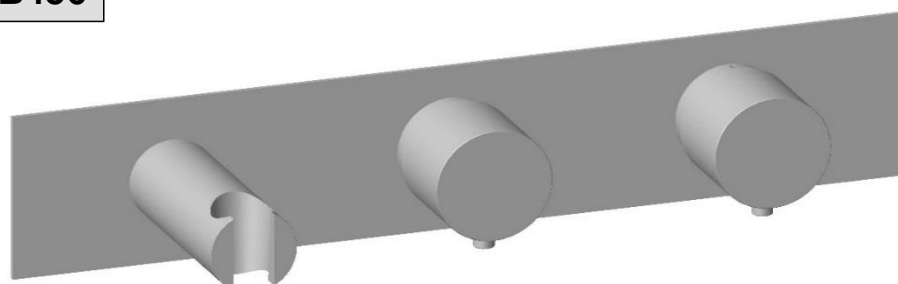
PE455 - PE456



ER455 - ER456



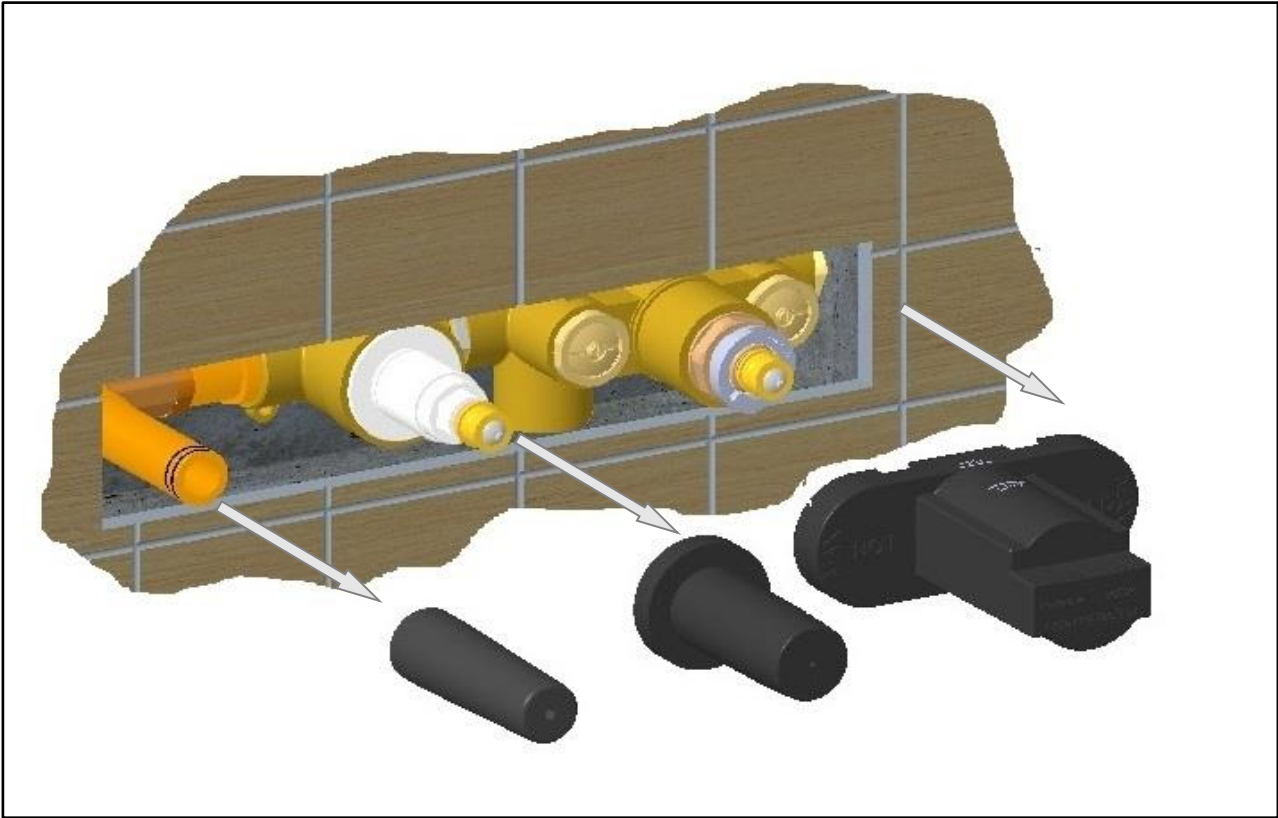
MB455 - MB456



INSTALLATION

TRIM ASSEMBLY

Remove protection covers from Rough in valve



Temperature check - Temperature setting ring (cam)

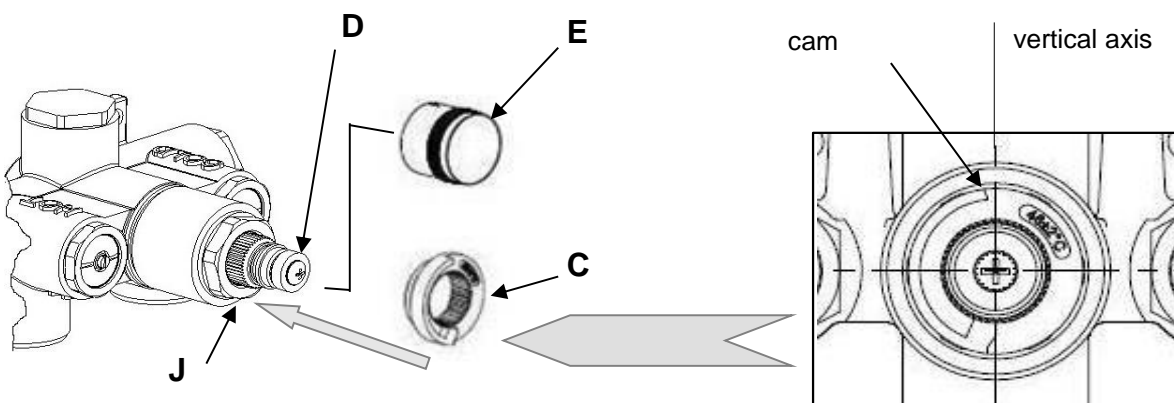
Rotate insert **D** by using handle **E** for setting temperature at 38°C.
(check temperature with a thermometer).

Remove handle and insert cam **C** onto shaft **J**.

Assemble handle **E** with reference line in vertical position.

Fully rotate handle **E** counterclockwise and check that water temperature is around 42°C.

Remove handle **E** for fitting other trim parts as per further instructions.

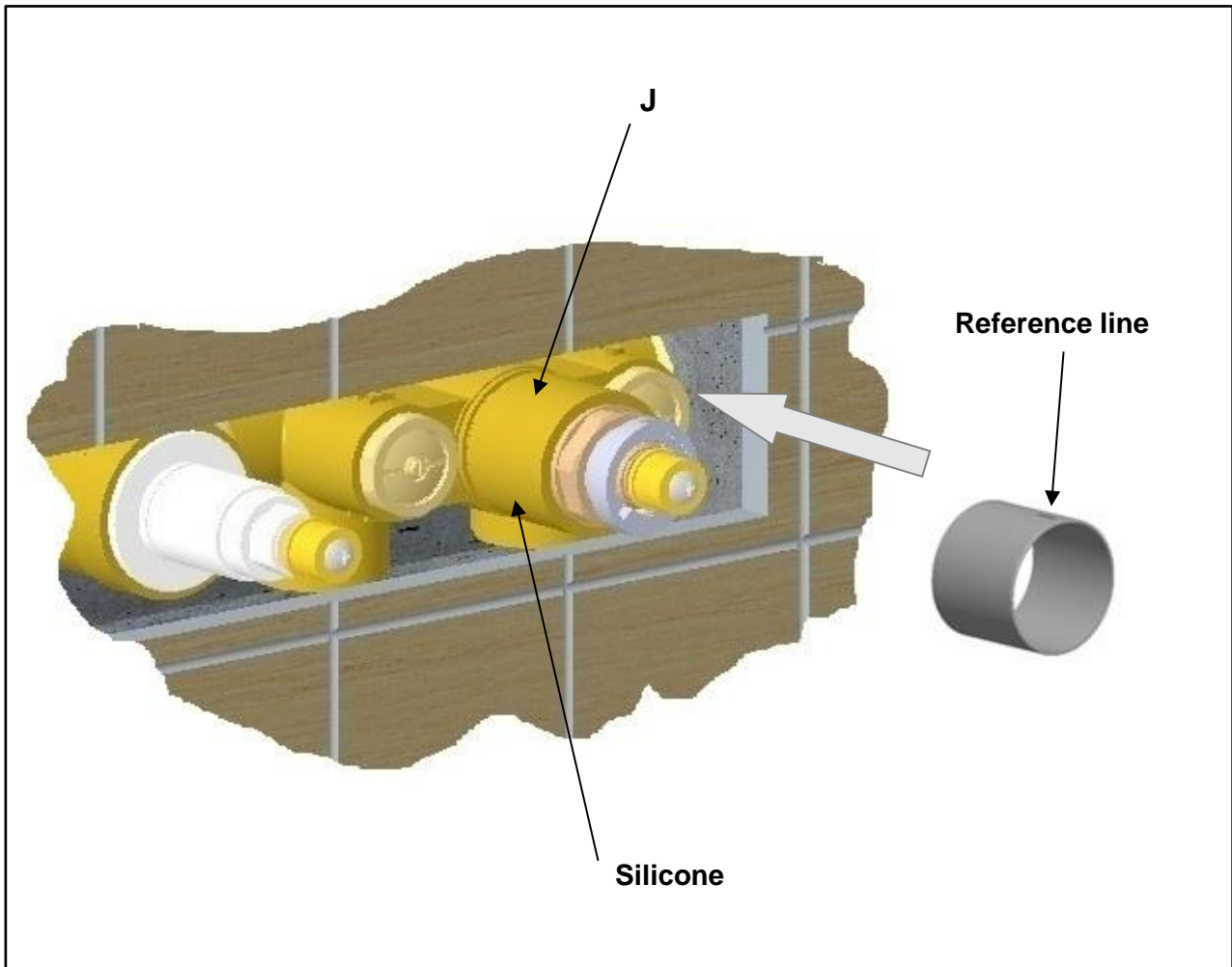


FITTING TRIM PARTS

Fitting trim ring with reference line marking

After checking that the installation depth of rough-in is correct and that no extensions are required, proceed with fitting the trim ring onto valve body (J) by using the silicone material supplied in the carton and keeping reference line on the top at 12:00.

Any traces of silicone after drying can be removed with a blade.



ATTENTION:

In the case that a knob extension kit is required, trim ring must be fitted onto the extension part.

FITTING TRIM PARTS

Fitting trim plate and other external parts

Apply silicone on the rear of trim plate (1)

Fit trim plate (1) onto threaded shaft (2) and ring (3).

Screw adaptor (5) with O-ring (4) onto threaded shaft (2) until trim plate is in contact with finished wall.

Fit diverter handle (6) onto shaft (7) and rotate until set screw is at the bottom.

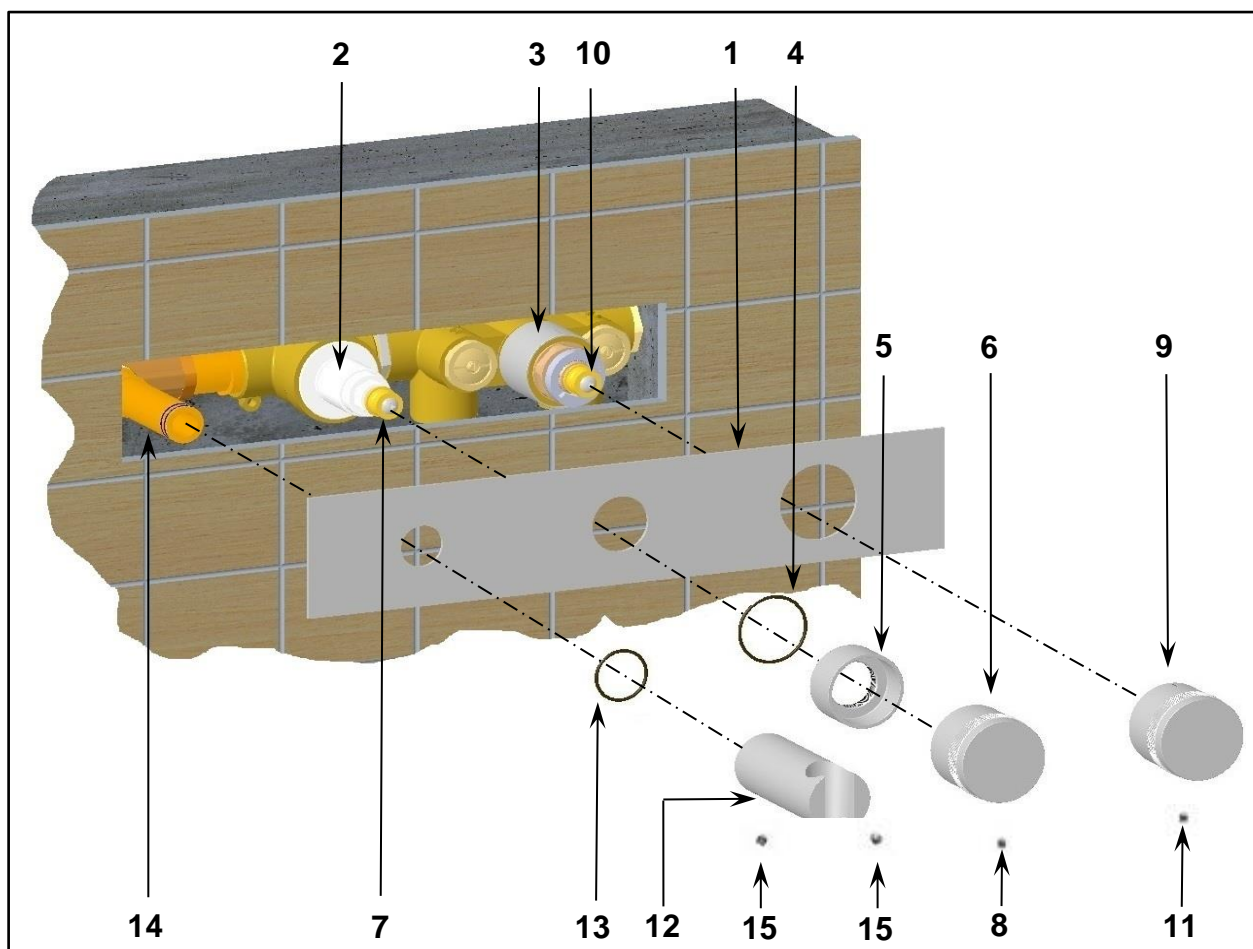
Tighten set screw (8) with allen key N°2 (metric)

Fit mixer knob (9) onto shaft (10) keeping reference line upwards (12:00)

and tighten set screw (11) with allen key N°2 (metric)

Fit outlet with hook (12) with O-ring (13) onto shaft (14) and tighten 2 set screws (15) with allen key N° 2,5

Picture referred to models ER455 - ER456



NOTE:

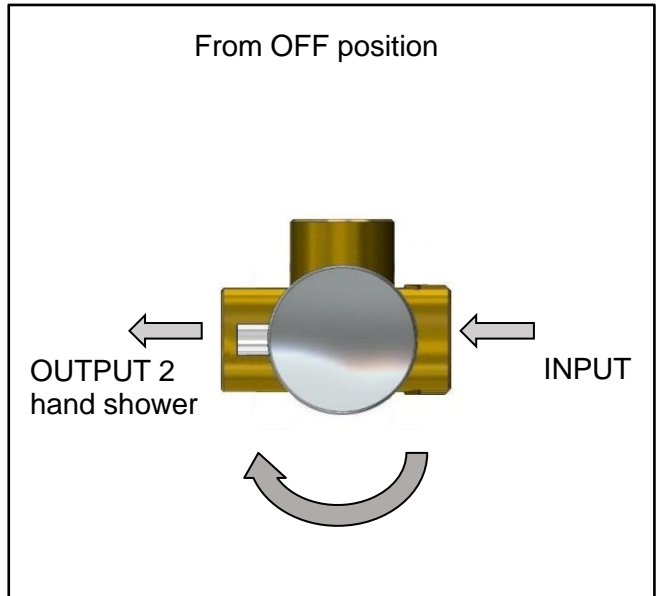
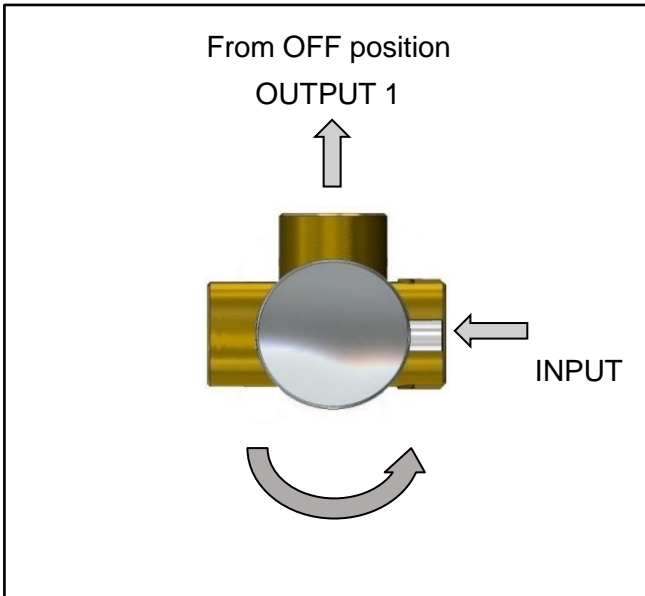
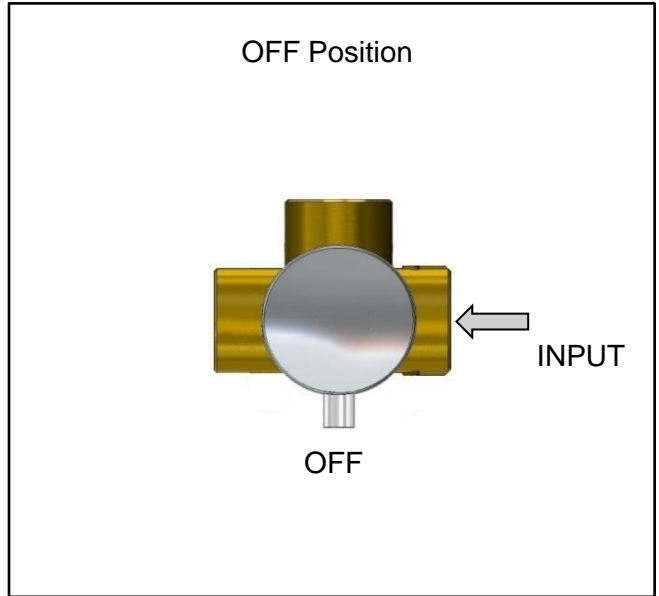
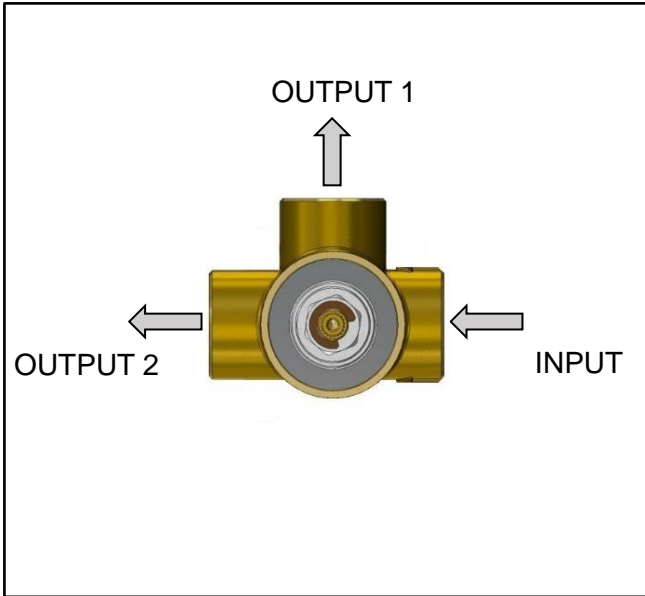
Same procedure for models MB455 - MB456 and PE455 - PE456

Only handle design changes

DIVERTER LAYOUT

TWO WAY DIVERTER

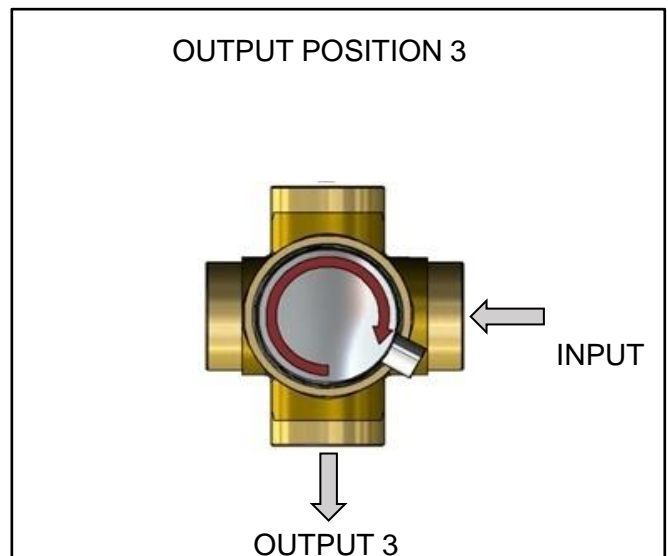
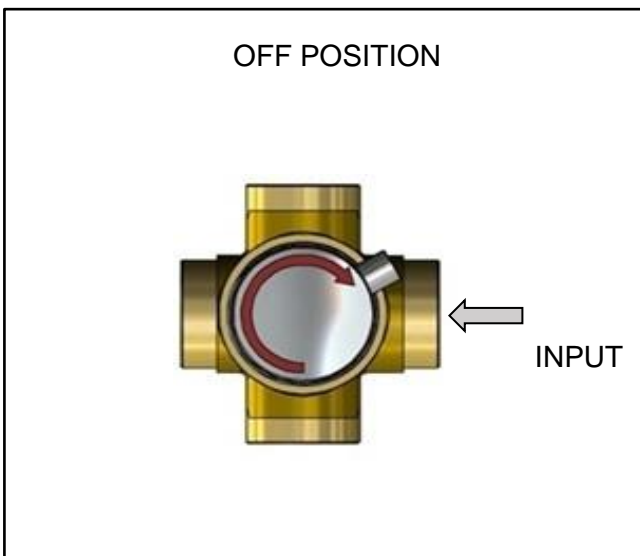
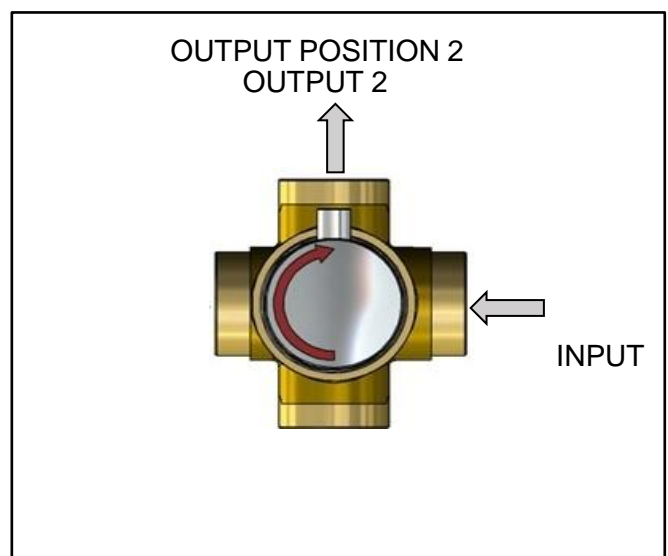
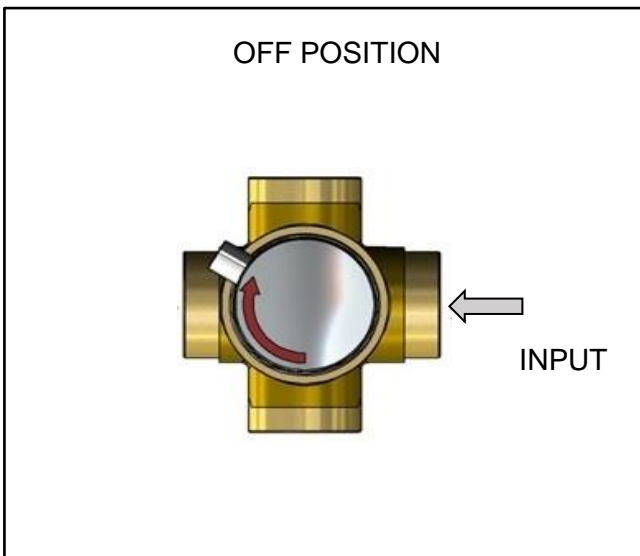
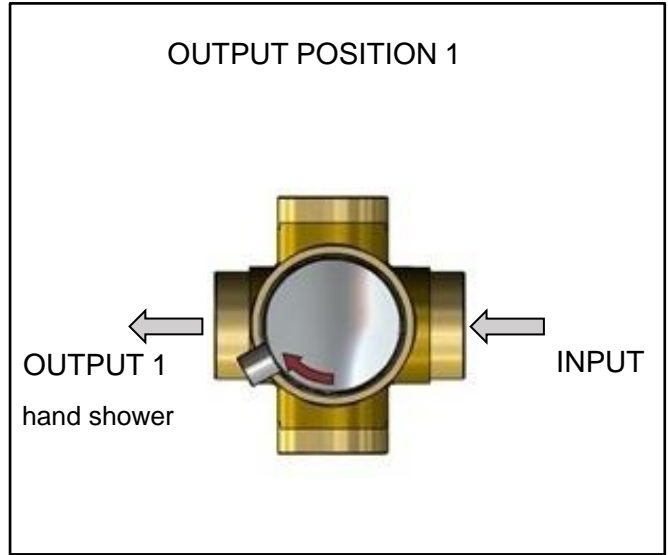
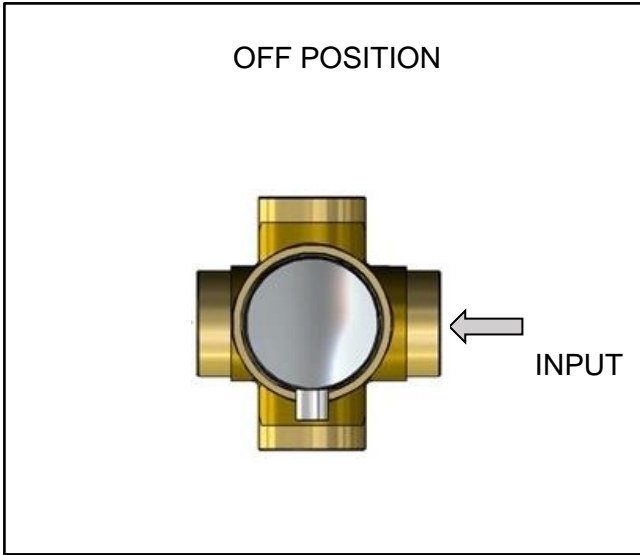
PE455 - ER455 - MB455



DIVERTER LAYOUT

THREE WAY DIVERTER

ER456 - MB456 - PE456



MAINTENANCE

REPLACEMENT/MAINTENANCE THERMOSTATIC CARTRIDGE AND VALVE HOUSINGS

Before starting maintenance, remove handles and trim plate (see instructions "Fitting Trim Parts")

THERMOSTATIC CARTRIDGE

- 1) Close water mains by turning 7 times the screw on valve housings with a screwdriver, for isolating thermostatic cartridge (fig.1)
- 2) Remove ring (1).
- 3) Unscrew thermostatic cartridge (2) counter clockwise with a key N° 30 mm.
- 4) Remove thermostatic cartridge (2) and clean its filters under flushing water or leave it to soak in winegar if affected by limescale.

Lubricate O-ring gaskets or replace them if damaged:

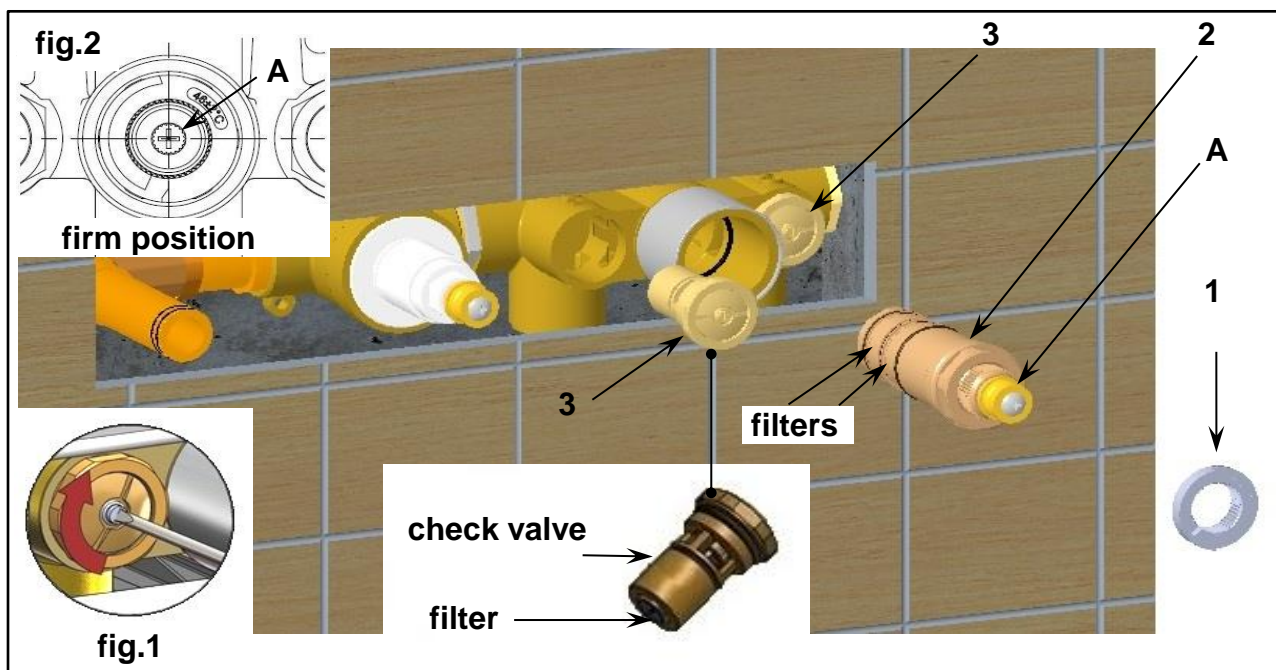
2 x OR 2100 mm 25,12 x 1,78 + 1 x OR 2106 mm 26,7 x 1,78

VALVE HOUSINGS

- 1) Close water mains
- 2) Unscrew valve housings (3) turning counter clockwise with a key 27 mm.
DO NOT USE A SCREWDRIVER
- 3) Remove valve housings and wash filters under flushing water or leave them to soak in winegar if affected by limescale.
- 4) Close with a max. torque of 8-10 Nm or 70-80 lbf. In case of replacement.

POSITION OF LIMITING RING

- 1) Position limiting ring (1) as indicated in picture (fig.2)
- 2) Use handle for rotating insert (A) until reaching pre-set temperature of 38°C to be checked with a thermometer.
- 3) Turn right for cold water and left for hot.
- 4) Reassemble trim parts.

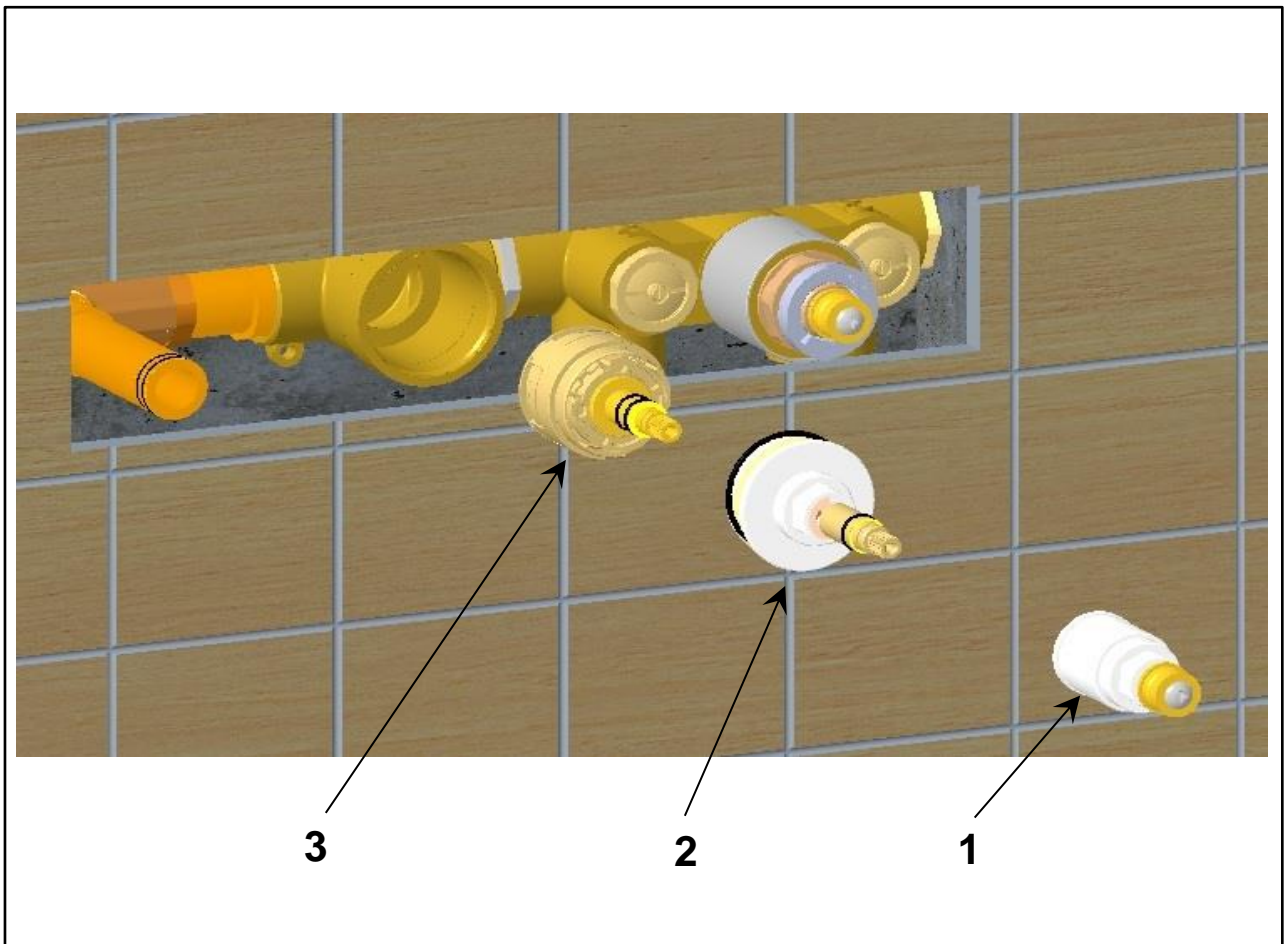


MAINTENANCE

REPLACEMENT/MAINTENANCE DIVERTER CARTRIDGE

Before starting maintenance, remove handles and trim plate
(see instructions "Fitting Trim Parts")

- 1) Close water mains.
- 2) Unscrew threaded shaft (1)
- 3) Svitare la flangia (2) in senso antiorario, con una chiave inglese.
- 4) Remove diverter cartridge (3)
- 5) Before replacing cartridge, clean and lubricate its seating inside housing body.
- 6) Replace cartridge (3).
 - positioning its 2 pins in the seatings. (2 way diverter model)
 - positioning the pin in its seating. (3 way diverter model)
- 7) Screw back into position, flange (2) and threaded shaft (1).
- 8) Reassemble trim parts.
(see instructions "Fitting Trim Parts")



MAINTENANCE

CLEANING THE PRODUCT

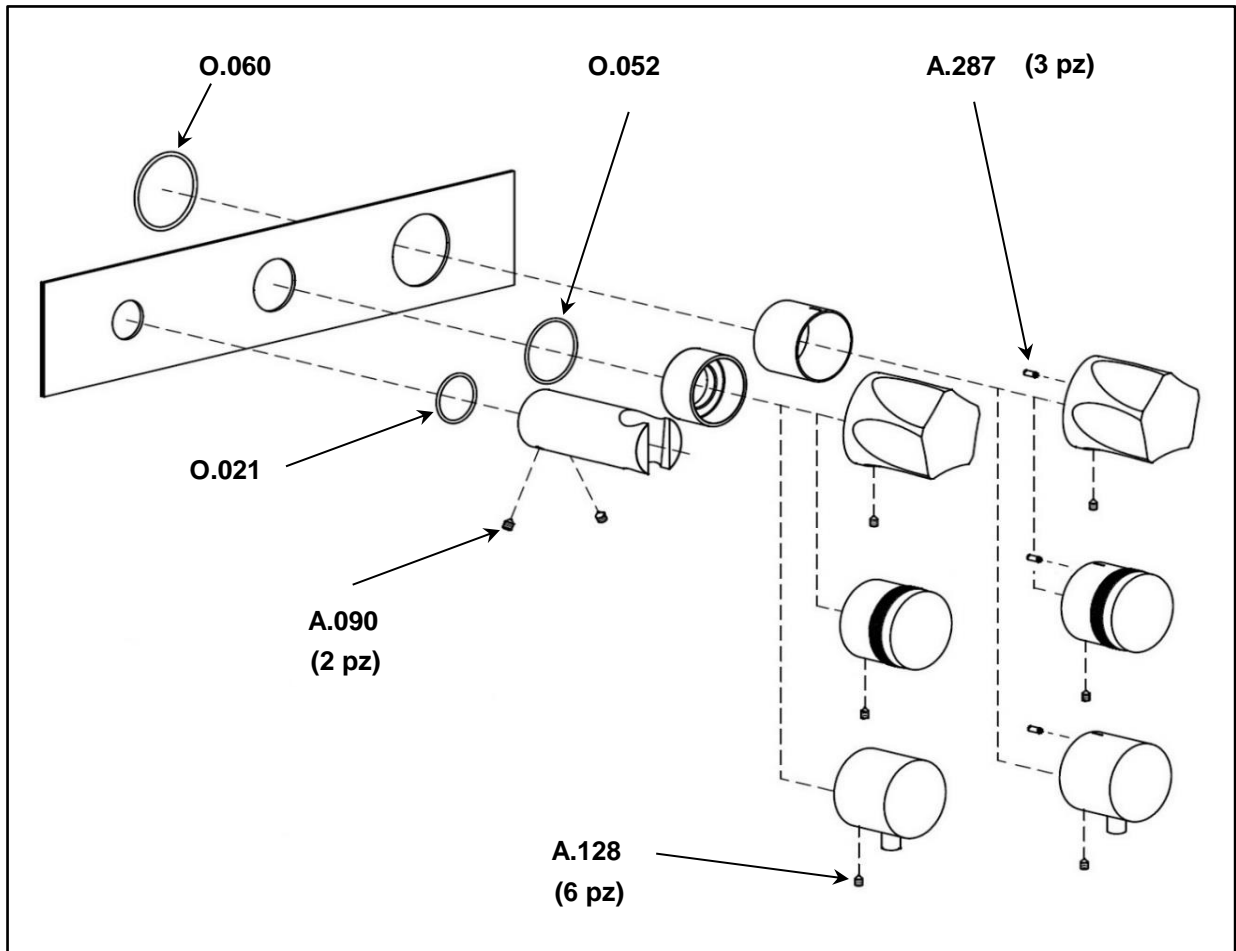
After use, clean and dry product with a damp, soft microfiber cloth.

Do not use abrasive detergents or products that may damage the surface, chemical, acid or corrosive cleaning products.

If product is not being used for long time during winter period, close water supply and empty the mixer to avoid damages to the cartridge due to freezing conditions.

SPARE PARTS

Spare parts related to trim



Warranty

MGS products are covered by a warranty of 5 years from purchasing date on all stainless steel parts and of 2 years on all other components. During this period, parts with construction defects in materials or workmanship will be replaced free of charge. This warranty will not respond in the case of faults caused by unsuitable or improper use, wrong installation, natural wear, improper or careless treatment, wrong usage of cleaning or maintenance products. MGS will not assume liability for labour expended, freight cost or damages accruing from the use of the material purchased from us. If material is defective, the limit of damage is the price of the defective material. Proof of purchase (original sales receipt) from the original consumer purchaser must be made available to MGS for all warranty claims. The warranty is not transferable and is extended solely to the original purchaser of the product.

Garantie

Auf MGS Produkte gewähren wir Ihnen 5 Jahre Garantie ab Kaufdatum für alle Edelstahlteile und 2 Jahre für alle anderen Komponenten.

Während diese Zeiträume werden alle Teile, die einen Konstruktionsfehler aufweisen, kostenlos ersetzt. Diese Garantie wird nicht gewährt bei unsachgemäßem Gebrauch, falscher Montage, nachlässiger Handhabung, falscher Anwendung von Reinigungsmitteln und fehlender oder mangelhafter Wartung. MGS ist nicht verantwortlich für eventuelle Eingriffskosten zu Hause des Kunden. Im Schadenfall entspricht die Rückerstattung des Schadens dem Preis des defekten Materials. Die Garantie ist nicht übertragbar und der Käufer muss Kaufdatum und Originalquittung vorweisen.

Condizioni di garanzia

Le parti in acciaio dei rubinetti MGS sono garantite per 5 anni, mentre gli altri componenti per 2 anni (cartucce, flessibili, ecc.). Durante il periodo di garanzia tutte le parti riportanti difetti dovuti a vizi di fabbricazione saranno sostituite gratuitamente.

Questioni legate a un utilizzo anomalo o inadeguato, installazione difettosa, normale usura, uso negligente o errato, impiego di prodotti per la pulizia inadatti e a danni di trasporto non sono coperte dalla garanzia.

MGS non è responsabile per eventuali costi di intervento al domicilio del cliente finale. In caso di difetto il limite del danno rimborsato è definito dal prezzo del materiale difettoso. L'acquirente per avere diritto alla garanzia deve dimostrare la data di acquisto con la prova di acquisto originale.

Garantie

Les robinets MGS sont garantis pour une période de 5 ans pour toutes les parties en acier inoxydable et de 2 ans pour les autres composants.

Pendant la période de garantie toutes les parties avec un défaut de construction seront remplacées gratuitement.

La garantie n'a plus de validité dans les cas de mauvaise utilisation tels qu'installation défectueuse, usage impropre, mauvais nettoyage, etc... De même pour les dommages de transport et la normale usure. MGS n'est pas responsable pour les frais d'intervention au domicile du client final. Lorsqu'un robinet est défectueux la limite du défaut ne peut pas dépasser le prix de la pièce défectueuse.

La garantie commence à la date d'achat du robinet et la facture originale est nécessaire afin d'établir la validité de la garantie

MGS Progetti srl

Corso Milano 189 28883 Gravellona Toce (VB) Italy

Tel.: +39 0323 865218 Fax +39 0323 865215

www.mgstaps.com E-mail: info@mgstaps.com